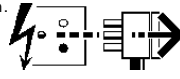


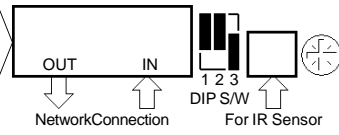
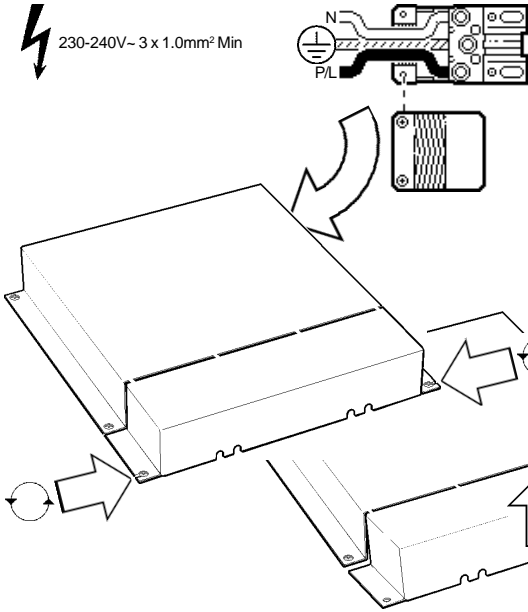
- 9143949 - 1.9kg
- 9143950 - 7.4kg
- 9143952 - 8.9kg
- 9143953 - 3.1kg
- 9143954 - 7.4kg
- 9143955 - 9.4kg

Disconnect from mains supply before replacing the fuse or the lamp.
 Vor dem Einsetzen der Sicherung oder der Lampe Spannungsfreiheit herstellen.
Débrancher le secteur avant de remplacer le fusible ou l'ampoule.
 Desconectar del suministro de la red, antes de realizar la sustitución del fusible o de la lámpara.
Voor het vervangen van lamp of zekering, eerst netspanning uitschakelen.
 Koppla bort spänningen före byte av en säkring eller en lampa.



Switch Off
 Abschalten
Débrancher
 Desconectar
Uitschakelen
 Stäng av

230-240V - 3 x 1.0mm² Min

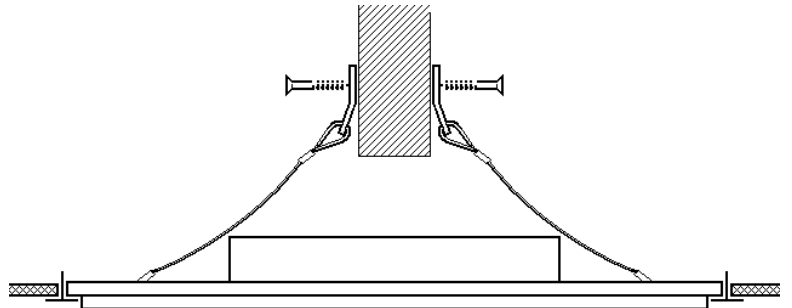
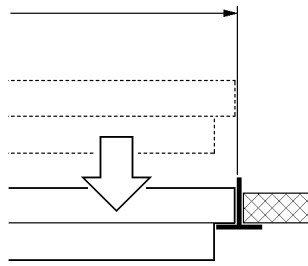


How to set up the Dip switch

Dip S/W	Item	SW1	SW2	SW3	Remark
	Master 1	0	0	1	set-up as Group 1, press 1 of remote controller to assign.
	Master 2	0	1	0	set-up as Group 2, press 2 of remote controller to assign.
	Master 3	0	1	1	set-up as Group 3, press 3 of remote controller to assign.
	Master 4	1	0	0	set-up as Group 4, press 4 of remote controller to assign.
	Master 5	1	0	1	set-up as Group 5, press 5 of remote controller to assign.
	Master 6	1	1	0	set-up as Group 6, press 6 of remote controller to assign.
	All Master	1	1	1	in the case of no need to assign group or stand alone.
	Slave 1, 2, ...n	0	0	0	set-up as slave operating as per master's working.

Factory set-up for the Dip switch of the PSU is '1 1 1'.

- 9143949 = 300 x 300
- 9143950 = 600 x 600
- 9143952 = 1200 x 300
- 9143953 = 300 x 300
- 9143954 = 600 x 600
- 9143955 = 1200 x 300
- 9143956 = 1200 x 300



Connecting Network

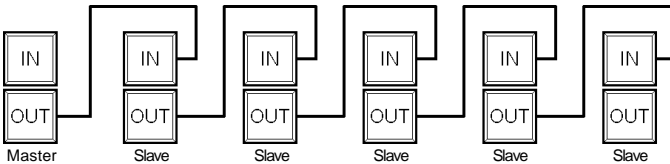
Connect IR sensor to the PSU assigned as Master, DO NOT connect sensor to the slaves.

NOTE

On/Off switch of each group must be connected to the same line!

example: Of setting Channels

1. Assign one PSU as master per channel and assign the rest PSU as slaves per channel.
2. Per channel assign master like: Master 1: 0 0 1
Master 2: 0 1 0 Master 3: 0 1 1
3. Check On/Off and dimming function by the remote controller per channel.



The inrush current of the power supply in this product means that a D-Type MCB should be used in order to avoid nuisance tripping on power up.

Suitable for use indoors
 Geeignet für Innenanwendung
Pour un usage interne
 Adecuada para uso en interiores
 Geschikt voor gebruik binnen
 Lämpelig för inomhusbruk



Replace any cracked protective shield.

Dieses symbol bedeutet, dass defekte Schutzgläser sofort ersetzt werden müssen.

Ce symbole indique que vous devez remplacer tout verre de protection fêlé.

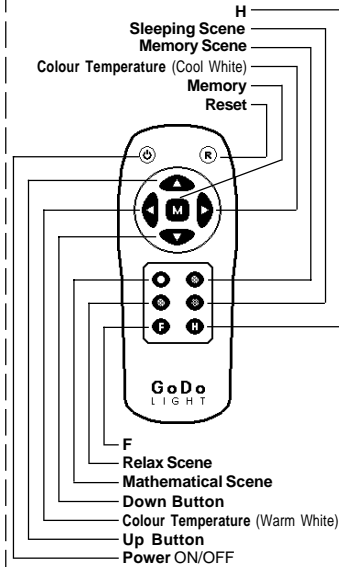
Este símbolo indica que hay que reemplazar filtros en caso de rotura o desperfectos.

Dette symbolet indikerer at alle ødelagte (sprukne) sikkerhetglass må skiftes.

Valaisinta ei saa käyttää ilman suoja-alasia vioitunut suoja-alasi on vaihdettava uuteen ennen valaisimen käyttöön ottoa.

Remote Controller

Model Name: KDT R-2 Remote Controller
 Battery Type: 2 x AAA



Power - On/Off

Reset (R) - Push it for more than 2 seconds to reset all scene values per factory set up. Push it, then push the scene button you want to make factory set up value.

Memory (M) - Push it then push a scene button, then the current value will be stored in the scene number you just pushed.

Colour Temperature (Left/Right button)
 Left button is to LOWER colour temperature (Warm White)
 Right button is to Raise colour temperature (Cool White)

UP/Down Buttons (controls brightness)
 UP utton is to make it brighter
 DOWN button is to make it darker

Scene Buttons (gives light as previously set up)

Mathematical Scene Button (Daylight)

Relax Scene Button (Incandescent lamp colour)

F Button (Half Brightness)

H Button (maximum brightness)

Sleeping Scene Button

Memory Scene Button (White)

< Millimetres >

