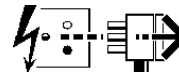


1 x 18W TC-DE AX 1600
2044377 2044383
1 x 26W TC-DE AX 1600
2044379 2044385
2 x 13W TC-DE AX 1600
2044381 2044387

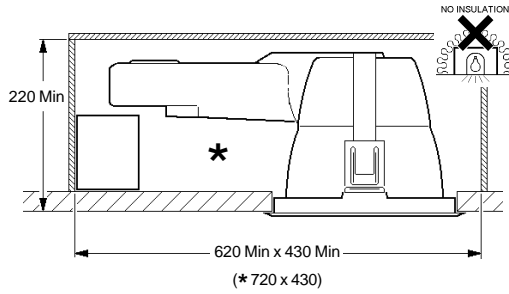
1 x 32W TC-TE AX 1850
2044389 2044395
2 x 18W TC-TE AX 1850
2044391 2044397
2 x 26W TC-TE AX 1850
2044393 2044399

2 x 32W TC-TE AX 2150
2044403 2044411
1 x 42W TC-TE AX 2150
2044401 2044409
2 x 42W TC-TE AX 2150
2044405 2044413
1 x 57W TC-TELI AX
2044407
1 x 57W TC-TELI DIAM
2044415

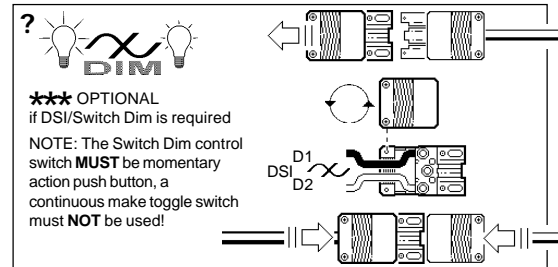
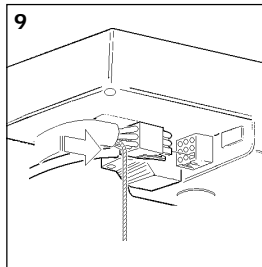
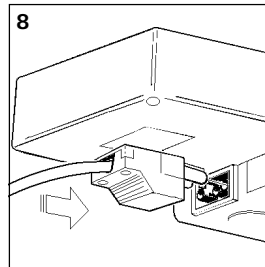
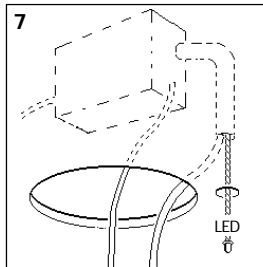
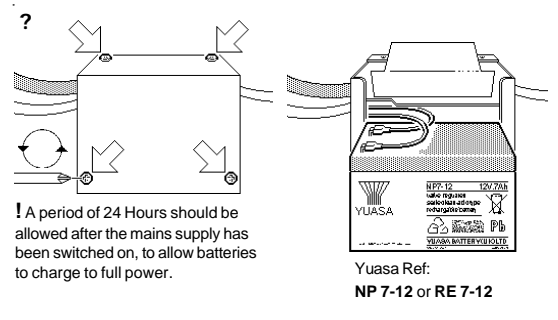
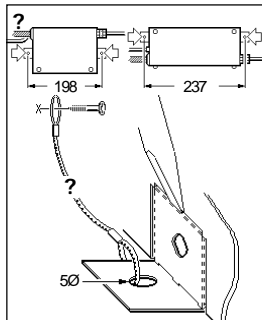
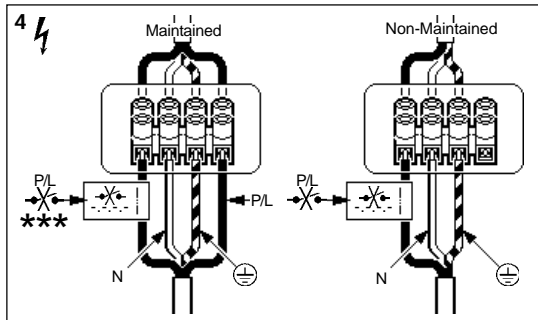
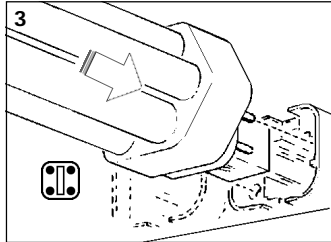
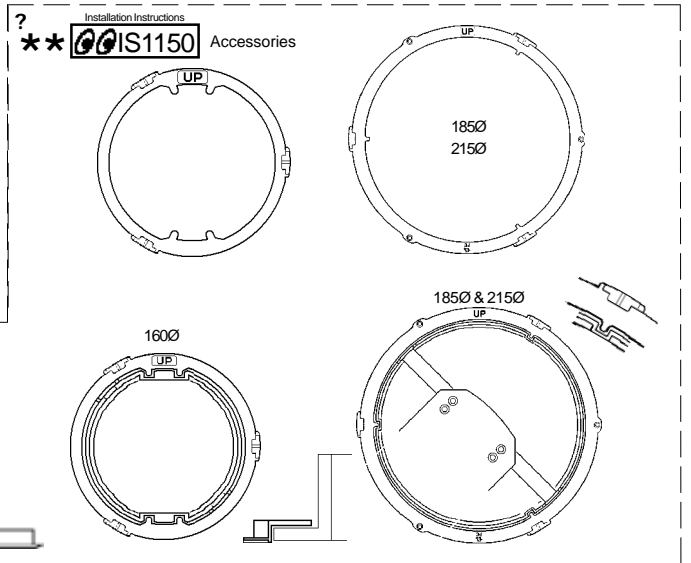
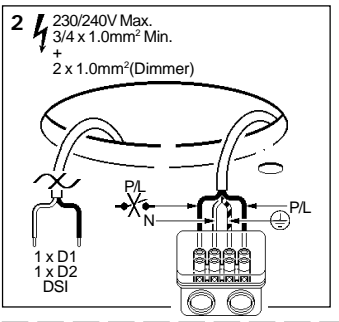
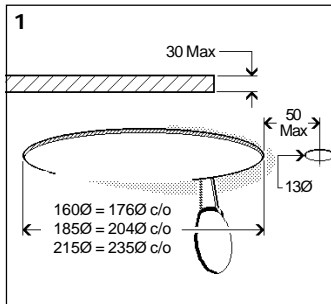
Disconnect from mains supply before replacing the fuse or the lamp.
Vor dem Einsetzen der Sicherung oder der Lampe Spannungsfreiheit herstellen.
Débrancher le secteur avant de remplacer le fusible ou l'ampoule.
Desconectar del suministro de la red, antes de realizar la sustitución del fusible o de la lámpara.
Voor het vervangen van lamp of zekering, eerst netspanning uitschakelen.
Koppla bort spänningen före byte av en säkring eller en lampa.



Switch Off
Abschalten
Couper le connectar
Desconectar
Uitschakelen
Stäng av



IMPORTANT NOTE
When using TC-T lamps, install in still air voids only!
WICHTIGER HINWEIS
Bei Verwendung von TC-T Lampen, auf genügende Durchlüftung achten!
IMPORTANT
Utiliser les lampes TC-T dans un environnement avec température stable
IMPORTANTE
Cuando utilice lámparas TC-T instatar sólo en espacios ventilados.
LET OP
Gebruik TC-T lampen slechts in TOCHTVRIJE ruimten.
VIKTIG INFORMATION
Bör ej användas vid installation i ventilerade undertak



13/18/26W
YUASA NP2.3-12
12V,2.3Ah SLA
32/42W
YUASA NP7-12
12V,7.0Ah SLA

$I = 24\text{Hrs}$

(A period of 24 Hours must be allowed for the charging of the emergency batteries on max.voltage.)

Initial Testing

1.) Switch on the mains supply and check that the charge indicator lamp (LED) is ON - Leave the luminaire on continuous charge for 24hours. Simulate mains supply failure, and check that the emergency lamp operates for 3 hours. If a full duration of 3 hours is NOT achieved, repeat the charge/discharge cycle, as the battery packs may have been discharged in storage and will require conditioning!

2.) **DO NOT SWITCH OFF THE LUMINAIRES UNSWITCHED SUPPLY AFTER INSTALLATION**, as the unswitched supply **MUST** be maintained. If an interruption to the supply is unavoidable, the batteries **MUST** be disconnected or damage to the battery and/or the lamp may be incurred.

***** ATTENTION**

Fit Accessory Ring to luminaire, **ONLY** if an LED100 & LED150 'Architectural' accessory is to be fitted.

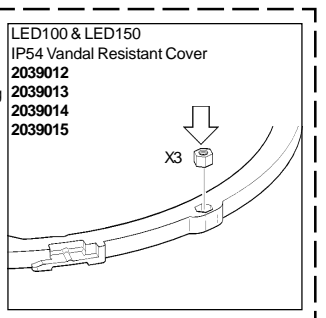
ACHTUNG
Bei Verwendung von 'architectural' Abschlussmitteln muss der Zubehörring vor der Leuchtenmontage ans Leuchtgehäuse angebracht werden.

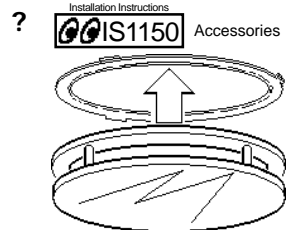
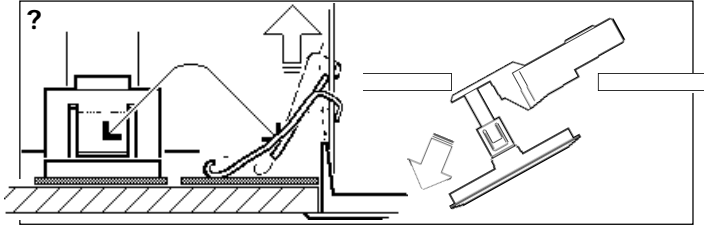
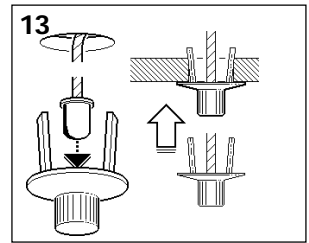
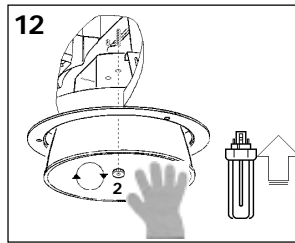
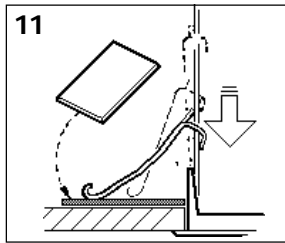
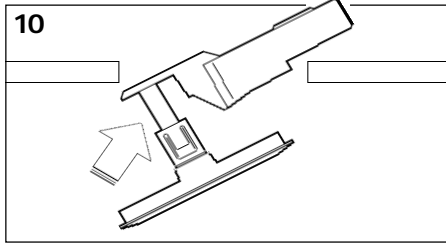
ATTENTION
Lors l'utilisation d'un anneau de finition 'architectural', la bride d'accessoire doit être fixée au boîtier avant le montage du luminaire.

ATENCIÓN
Poner el aro en la luminaria, solo si se va a figur un accesorio decorativo.

ATTENTIE
Monteer de accessoirerand op het armatuur, **ALEEN** indien een 'architectural' accessoire gemonteerd dient te worden.

OBSERVERA
Montera tillbehörseringen på armaturen, **ENDAST** om något tillbehör skall monteras på armaturen.





Routine Maintenance

Routine maintenance must be carried out in compliance with the requirements of BS5266:Part 1 - Emergency Lighting of Premises.

The following tests assume a three-hour system.

- Daily:**
1. Check that any recorded faults have been rectified.
 2. Check that the maintained emergency lamp is operative.
 3. Check that the charge indicator light is illuminated.
- Monthly:**
(Functional)
1. Simulate a mains failure and check that the emergency lamp illuminates and remains on for several minutes.
 2. After reverting back to mains supply check the charge indicator light is illuminated.
- Six Monthly:**
(1 Hour)
1. Simulate a mains failure and check that the emergency lamp illuminates and remains on for one hour.
 2. After reverting back to mains supply check the charge indicator light is illuminated.
 3. On restoring the mains supply the unit will require approximately 24 hours to recharge before becoming fully operational.
- Three Years:**
(3 Hours)
1. Simulate a mains failure and check that the emergency lamp illuminates and remains on for at least 3 hours.
 2. After reverting back to mains supply check the charge indicator light is illuminated.
 3. On restoring the mains supply the unit will require approximately 24 hours to recharge before becoming fully operational.

It is recommended that the battery packs and lamps are replaced every 4 years or sooner if the units performance fails to meet the above requirements. To maintain optimum unit performance, only approved replacement battery packs and lamps must be used.

All routine maintenance checks must be recorded on the unit Routine Test Record and must be made available for inspection at all times.

Installation and Commissioning Record

Luminaire Model Ref:	Location:
Installed By:	Date:
Commissioned by:	Date:
(Full Charge and Discharge Cycle)	

Routine Test Record

Monthly Test	First Year		Second Year		Third Year		Forth Year		Fifth Year	
	Signed	Dated	Signed	Dated	Signed	Dated	Signed	Dated	Signed	Dated
Functional										
Functional										
Functional										
Functional										
Functional										
1 Hour Duration										
Functional										
Functional										
Functional										
Functional										
Functional										
1 Hour Duration										
3 Hour Duration										

Suitable for use indoors

Geeignet für Innenanwendung

Pour un usage interne

Adecuada para uso en interiores

Geschikt voor gebruik binnen

Lämplig för inomhusbruk



- Replace any cracked protective shield.**
Dieses symbol bedeutet, dass defekte Schutzgläser sofort ersetzt werden müssen.
Ce symbol indique que vous devez remplacer tout verre de protection fêlé.
Este simbolo indica que hay que 'reemplazar filtros en caso de rotura o desperfectos'.
Dette symbolet indikerer at alle ødelagte (sprukne) sikkerhetsglass må skiftes.
Valaisinta el saa käyttää ilman suojalasia vioitunut suojalasi on vaihdettava uuteen ennen valaisimen käyttöön ottoa.

< Millimetres >



This Electrical Product MUST be recycled.



07.09

Concord

Avis Way Newhaven East Sussex BN9 0ED
T 0870 606 2030 F 01273 512 688 email: information@concordmarlin.com

