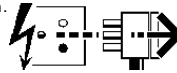


2044623  
2044629

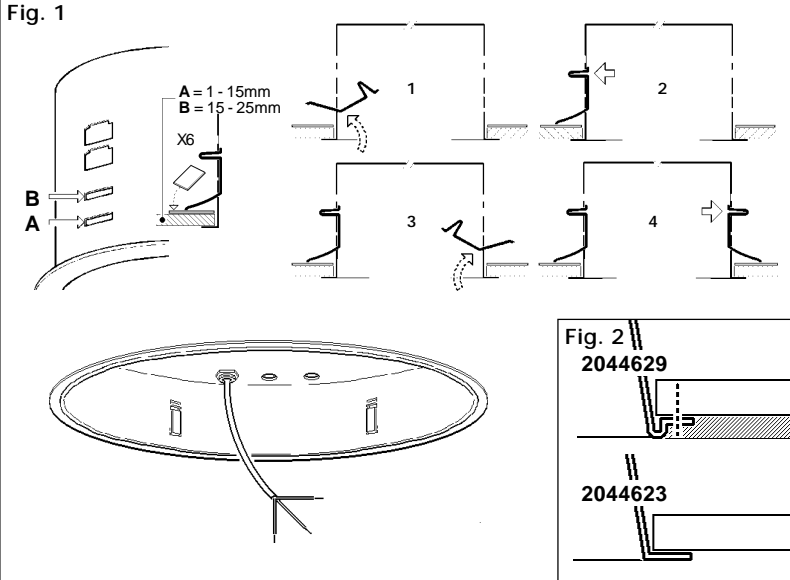
**Disconnect from mains supply before replacing the fuse or the lamp.**  
 Vor dem Einsetzen der Sicherung oder der Lampe Spannungsfreiheit herstellen.  
**Débrancher le secteur avant de remplacer le fusible ou l'ampoule.**  
 Desconectar del suministro de la red, antes de realizar la sustitución del fusible o de la lámpara.  
**Voor het vervangen van lamp of zekering, eerst netspanning uitschakelen.**  
 Koppla bort spänningen före byte av en säkring eller en lampa.



**Switch Off**  
 Abschalten  
**Débrancher**  
 Desconectar  
**Uitschakelen**  
 Stäng av



Fig. 1



**INSTALLATION PROCEEDURE**

Cut aperture in ceiling to accept back box of 558 Dia.

Pass mains supply cable through cord grip and fix back box into aperture using the 6 mounting clips supplied as shown in Fig. 1.

Plastering may be completed to the ridge on the back box. see Fig. 2.

Wire supplied plug-in connector as shown in Fig. 3 and connect to socket.

Align the three studs in back box with holes in housing and secure with nuts supplied.

Refer to label (A) and fit appropriate circular T5 lamp (B) into lampholder and retaining clips (G).

Locate the hole (F) in the reflector (D) and diffuser (C) assembly, over the stud in housing and secure with nut supplied. Ensure that the aperture for the lampholder is in the correct position.

Fit appropriate TCT lamp (E) as indicated on the label (A).

**NOTE: Total unit weight is:  
 Kometa 600 = 6.1 Kgs.**

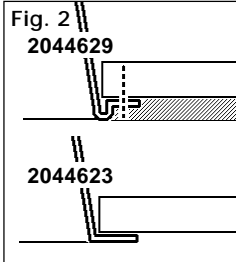
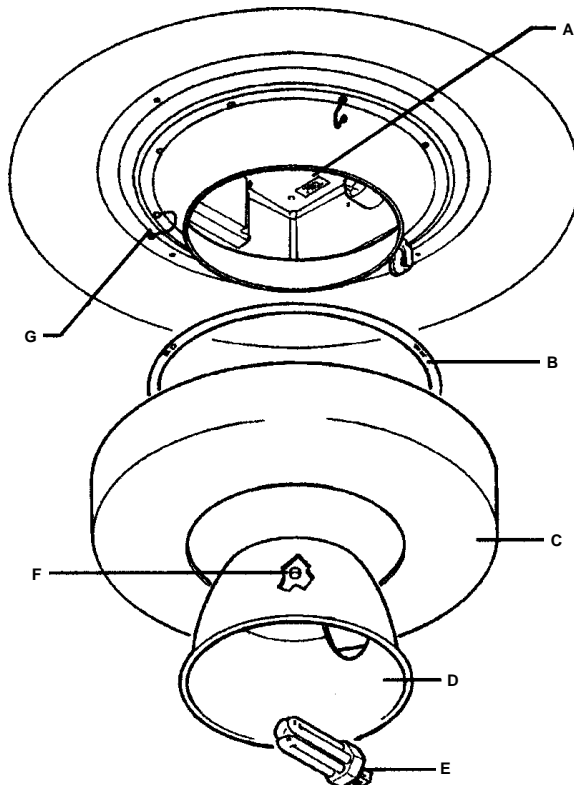
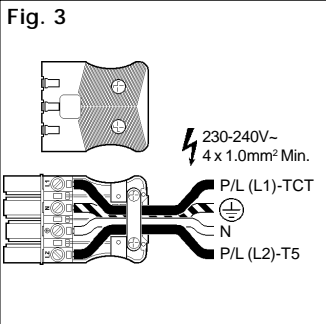


Fig. 3



**Suitable for use indoors**  
 Geeignet für Innenanwendung  
**Pour un usage interne**  
 Adecuada para uso en interiores  
**Geschikt voor gebruik binnen**  
 Lämplig för inomhusbruk



**Replace any cracked protective shield.**  
 Dieses symbol bedeutet, dass defekte Schutzgläser sofort ersetzt werden müssen.  
**Ce symbole indique que vous devez remplacer tout verre de protection fêlé.**  
 Este simbolo indica que hay que 'reemplazar filtros en caso de rotura o desperfectos'.  
**Dette symbolet indikerer at alle ødelagte (sprukne) sikkerhetglass må skiftes.**  
 Valaisinta el saa käyttää ilman suojalasia vioitunut suojalasi on vaihdettava uuteen ennen valaisimen käyttöön ottoa.

< Millimetres >



This Electrical Product  
 MUST be recycled.



10.08