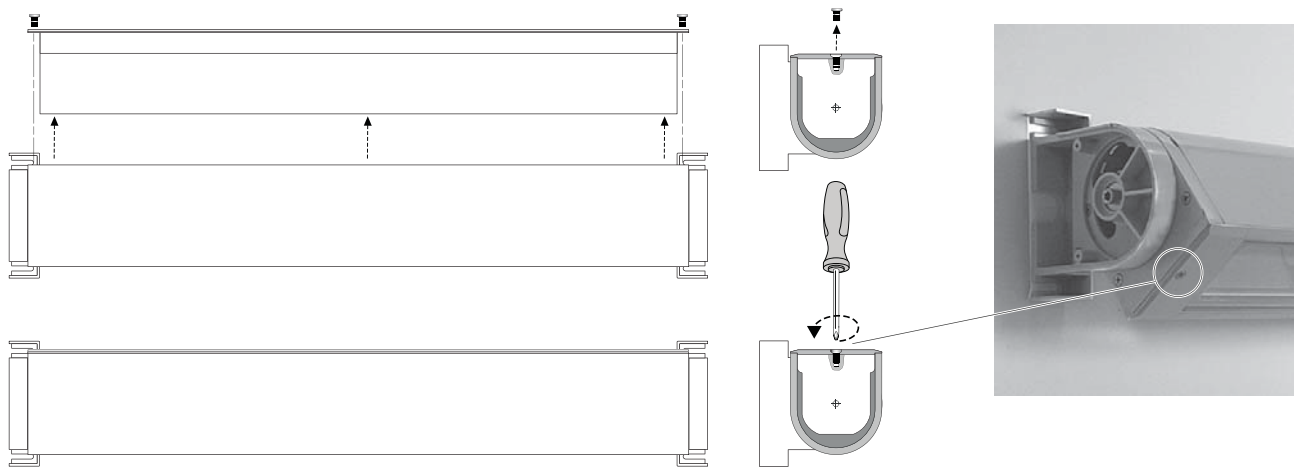
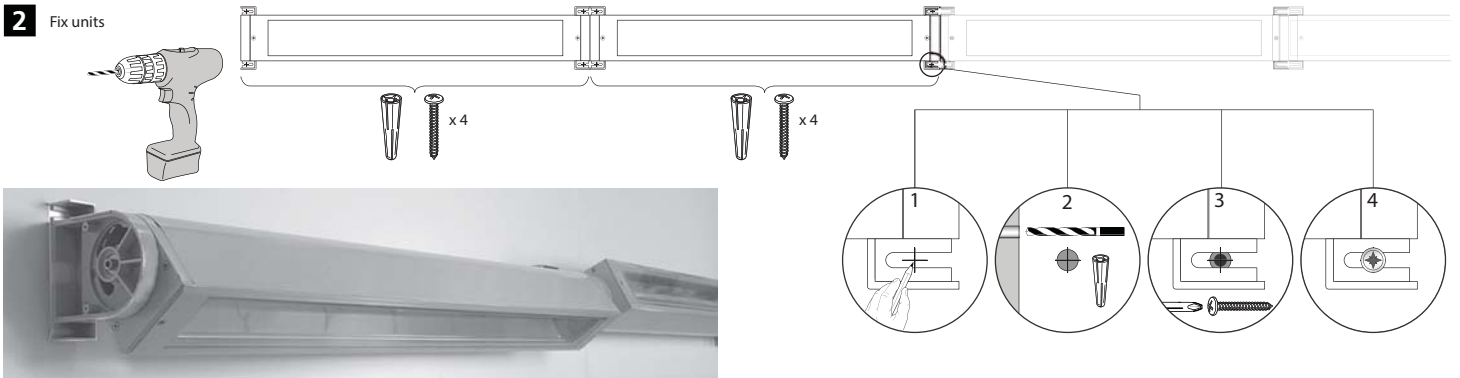


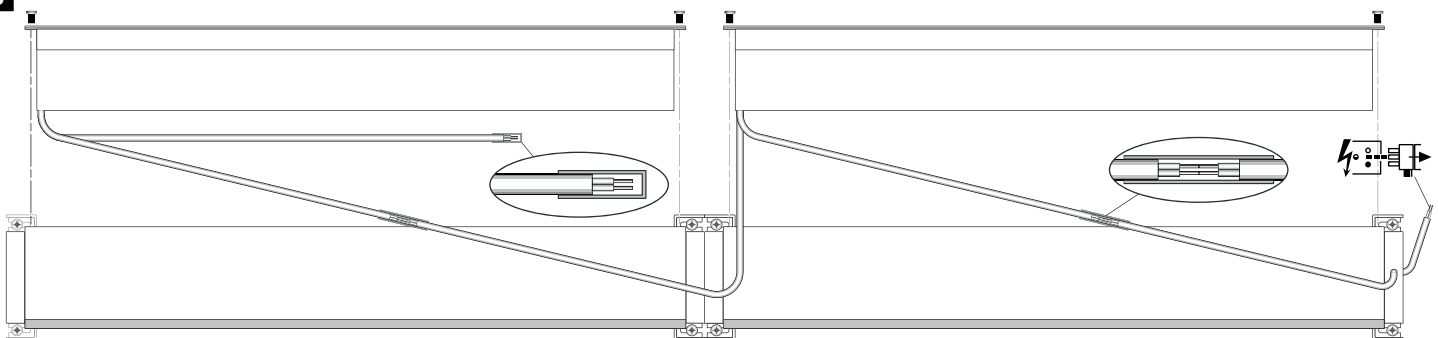
1 Remove fixture from housing



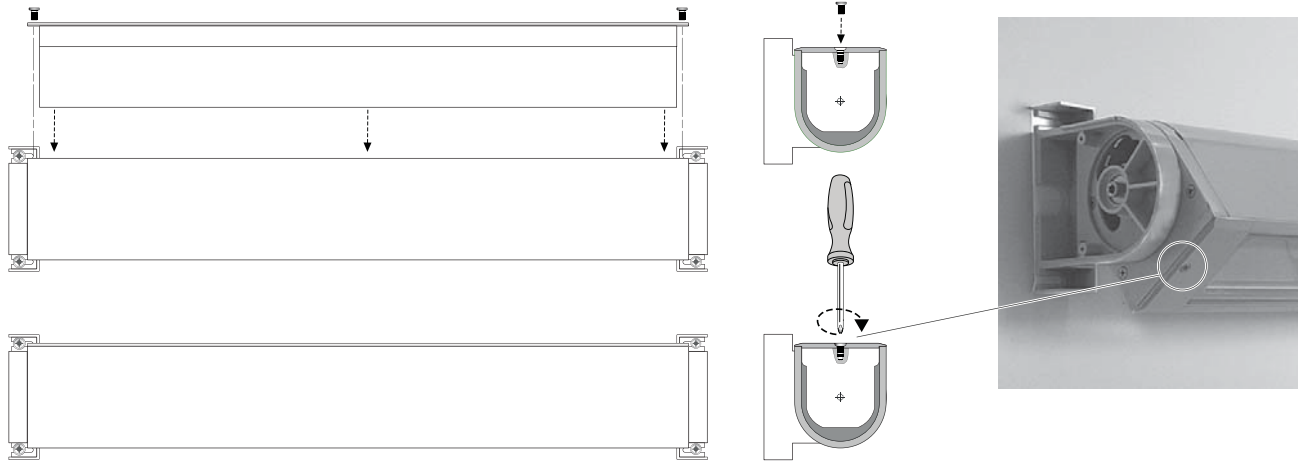
2 Fix units



3 Electrically connect units



4 Place fixture in housing



5 Place and fix end caps on each end

