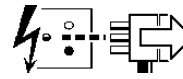


2843979
2843980
2843981
2843382
2853646
2853654

Disconnect from mains supply before replacing the fuse or the lamp.
Vor dem Einsetzen der Sicherung oder der Lampe Spannungsfreiheit herstellen.
Débrancher le secteur avant de remplacer le fusible ou l'ampoule.
Desconectar del suministro de la red, antes de realizar la sustitución del fusible o de la lámpara.
Voor het vervangen van lamp of zekering, eerst netspanning uitschakelen.
Koppla bort spänningen före byte av en säkring eller en lampå.



Switch Off
Abschalten
Débrancher
Desconectar
Uitschakelen
Stång av

Standard Range

Nominal Size (mm)	Cat. No.	Description	Kg.
300 x 1200 x 120	2843979	1 x 28W T5	11
	2843980	1 x 28W T5 Em	15
	2843981	2 x 28W T5	11
	2843982	2 x 28W T5 Em	15
	2853646	3 x 28W T5 Em	15
	2853654	3 x 28W T5	11

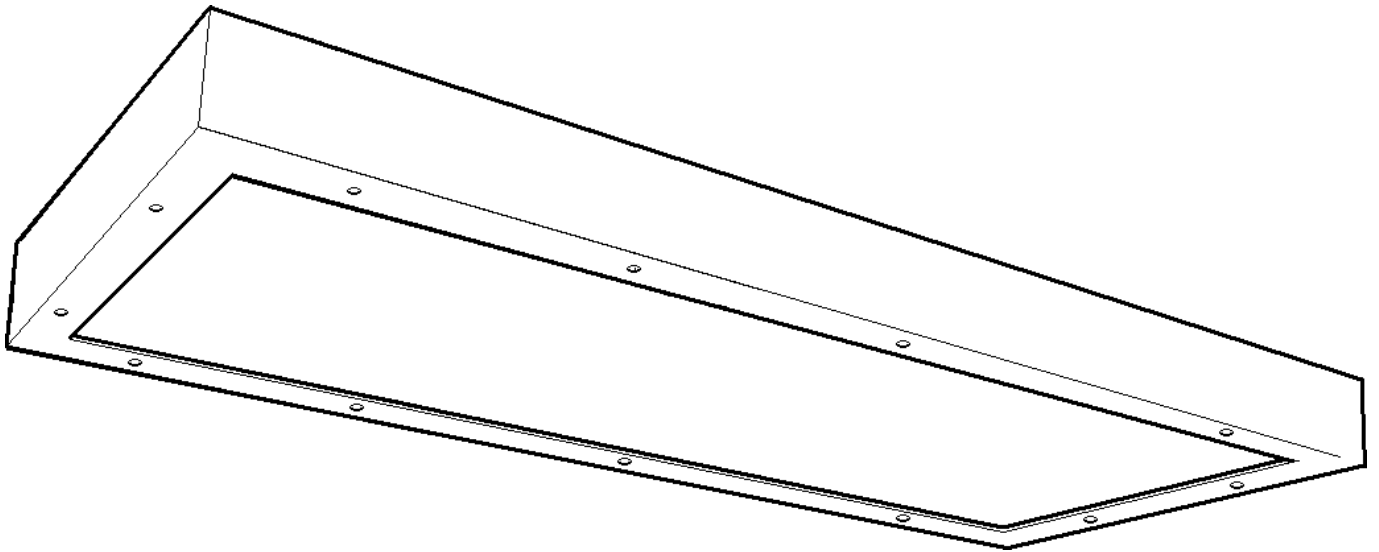
Other options are available on request.
Fixing holes to be drilled on site. IP65 integrity must be maintained.

Applications

Surface mounted luminaire for clean and sterile environments up to FS209D class 100, ISO class 5.
Pharmaceutical production
Pharmacies
Hospitals
Laboratories
Electronics and semiconductor production
Food preparation

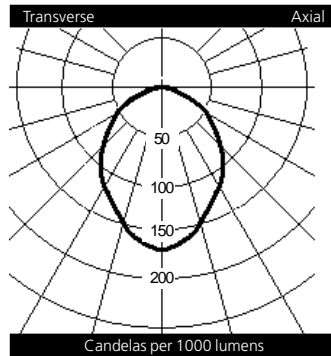
Specification

Zinc coated steel body powder coated white.
Frame made from 55mm chamfered profile extruded aluminium with welded and finished corners powder coated white.
White EDPM closed cell gaskets.
Clear prismatic Tp(a) rated (prisms up) controller as standard with louvre and toughened glass options.
High frequency gear as standard (dimming options available).
T5 high efficiency and high output lamp options.
Emergency versions - 3 hour self-contained as standard with self test options.



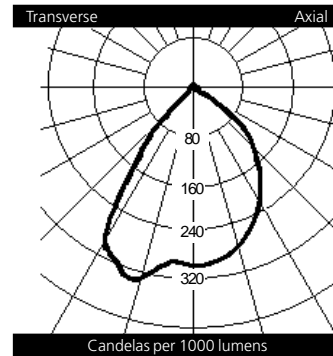
Light Distribution Curve

2 x 28W Prismatic Version
D.L.O.R. 51%



Factors: 2 x 28W = 0.82

2 x 28W Louvre Version
D.L.O.R. 57%



Factors: 2 x 28W = 0.95

Routine Maintenance

Routine maintenance must be carried out in compliance with the requirements of BS5266:Part 1 - Emergency Lighting of Premises.

The following tests assume a three-hour system.

- Daily:**
1. Check that any recorded faults have been rectified.
 2. Check that the maintained emergency lamp is operative.
 3. Check that the charge indicator light is illuminated.
- Monthly:**
(Functional)
1. Simulate a mains failure and check that the emergency lamp illuminates and remains on for several minutes.
 2. After reverting back to mains supply check the charge indicator light is illuminated.
- Six Monthly:**
(1 Hour)
1. Simulate a mains failure and check that the emergency lamp illuminates and remains on for one hour.
 2. After reverting back to mains supply check the charge indicator light is illuminated.
 3. On restoring the mains supply the unit will require approximately 24 hours to recharge before becoming fully operational.
- Three Years:**
(3 Hours)
1. Simulate a mains failure and check that the emergency lamp illuminates and remains on for at least 3 hours.
 2. After reverting back to mains supply check the charge indicator light is illuminated.
 3. On restoring the mains supply the unit will require approximately 24 hours to recharge before becoming fully operational.

It is recommended that the battery packs and lamps are replaced every 4 years or sooner if the units performance fails to meet the above requirements. To maintain optimum unit performance, only approved replacement battery packs and lamps must be used.

All routine maintenance checks must be recorded on the unit Routine Test Record and must be made available for inspection at all times.

Installation and Commissioning Record

Luminaire Model Ref: _____ Location: _____
Installed By: _____ Date: _____
Commissioned by: _____ Date: _____
(Full Charge and Discharge Cycle)

Routine Test Record

Monthly Test	First Year		Second Year		Third Year		Forth Year		Fifth Year	
	Signed	Dated	Signed	Dated	Signed	Dated	Signed	Dated	Signed	Dated
Functional										
Functional										
Functional										
Functional										
Functional										
1 Hour Duration										
Functional										
Functional										
Functional										
Functional										
Functional										
1 Hour Duration										
3 Hour Duration										

Suitable for use indoors

Geeignet für Innenanwendung

Pour un usage interne

Adecuada para uso en interiores

Geschikt voor gebruik binnen

Lämplig för inomhusbruk



Replace any cracked protective shield.

Dieses symbol bedeutet, dass defekte Schutzgläser sofort ersetzt werden müssen.

Ce symbol indique que vous devez remplacer tout verre de protection fêlé.

Este símbolo indica que hay que reemplazar filtros en caso de rotura o desperfectos.

Dette symbolet indikerer at alle ødelagte (sprukne) sikkerhetglass må skiftes.

Valaisinta el saa käyttää ilman suojalasia vioitunut suojalasi on vaihdettava uuteen ennen valaisimen käyttöön ottoa.



< Millimetres >



This Electrical Product
MUST be recycled.



10.12

Concord

Havells Sylvania Europe LTD
Avis Way, Newhaven East Sussex BN9 0ED UK
www.havells-sylvania.com



© Concord Lighting Ltd.