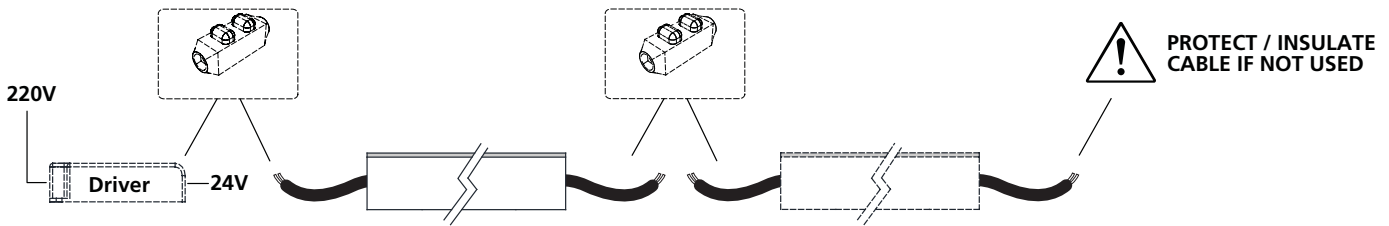
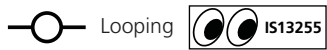
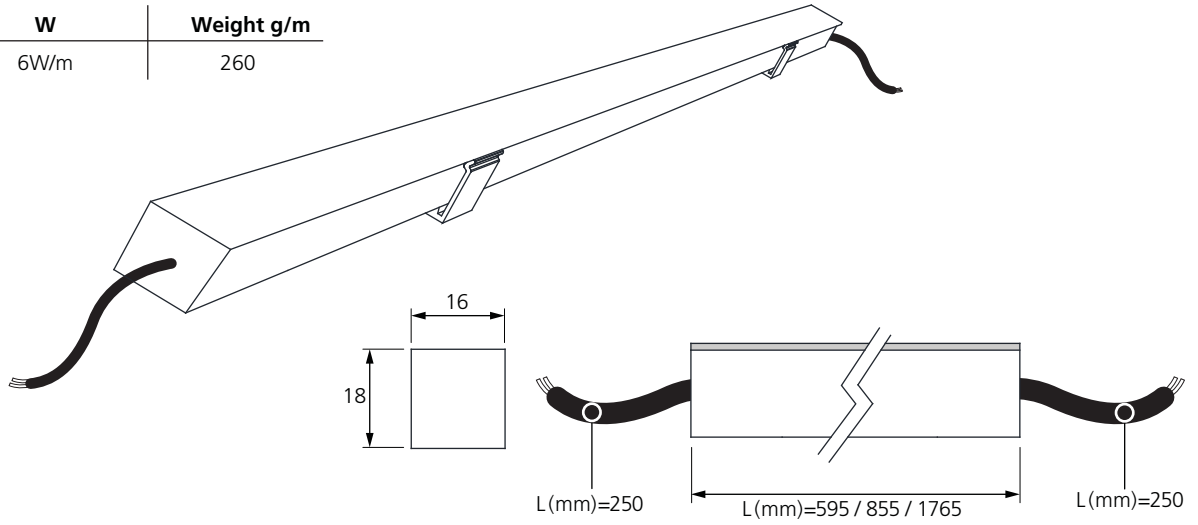
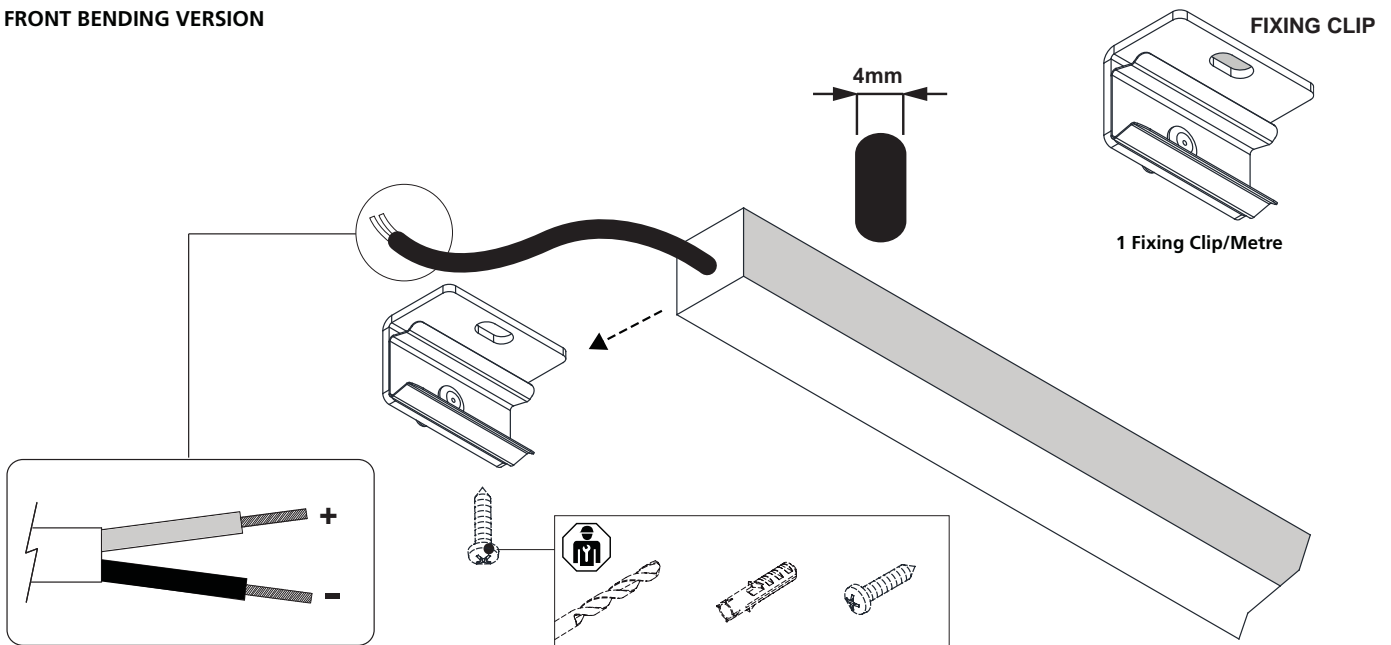


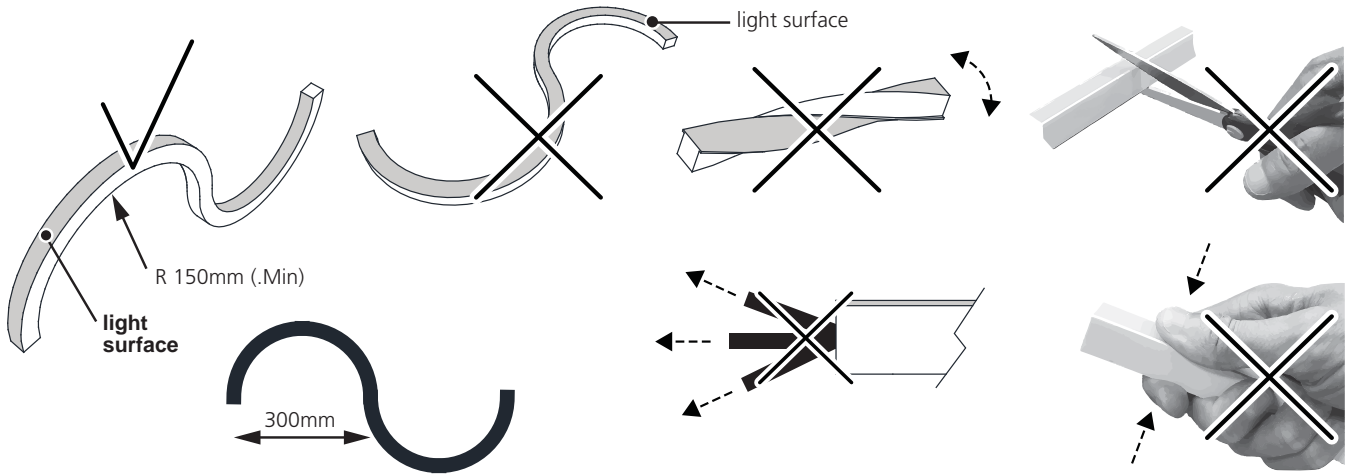
V	W	Weight g/m
24V (±1V)	6W/m	260



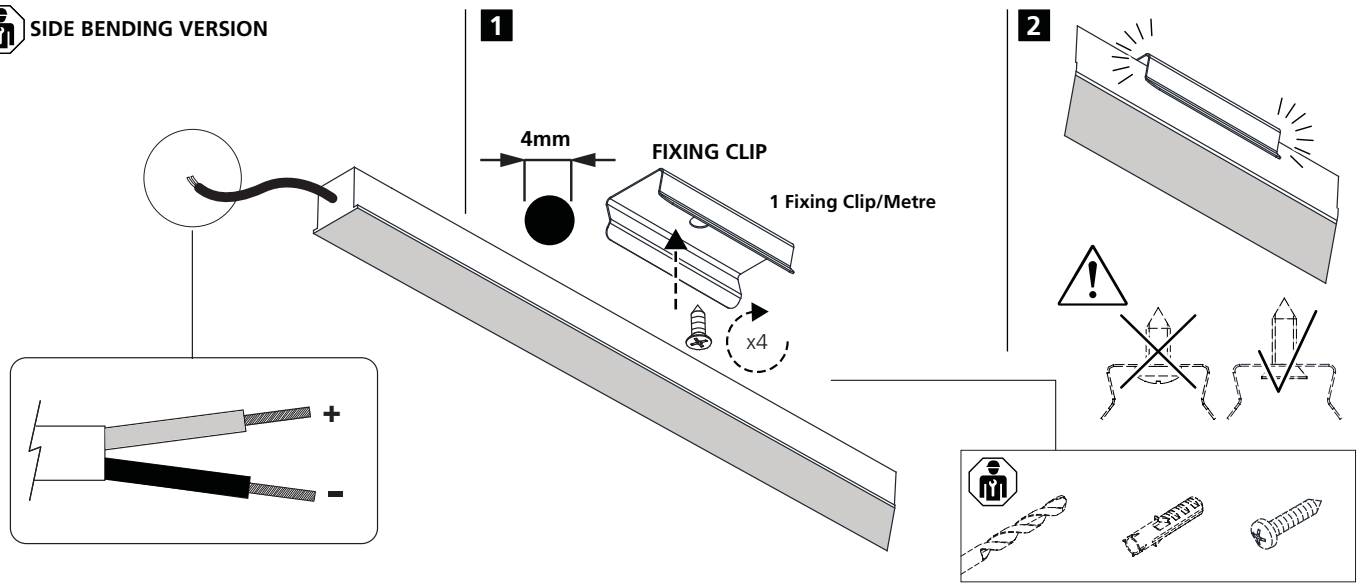
**FRONT BENDING VERSION**



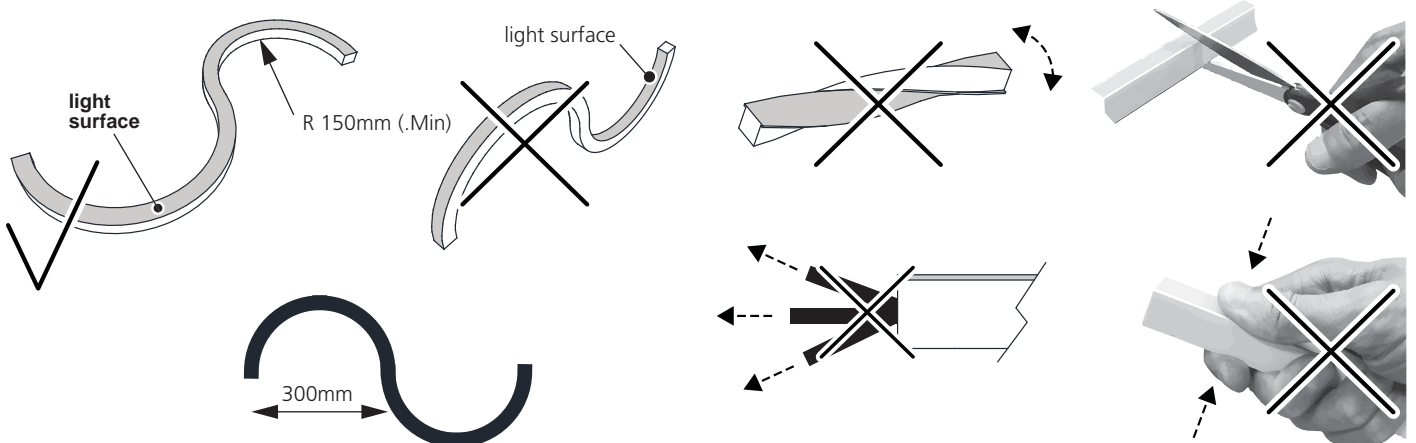
**FRONT BENDING VERSION**



**SIDE BENDING VERSION**



**SIDE BENDING VERSION**



LUMINOUS SIDE MATERIAL: **POLYURETHANE RESIN**  
 BASE MATERIAL: **PVC**

MI/2036 - 1a ed.