

### Applications

Clean and sterile environments. For installation into T Grid typed ceilings

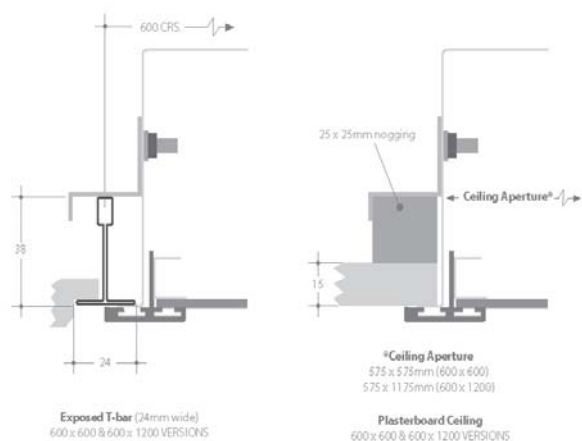
Hospitals

### Specification

Zinc coated steel body powder coated white. Frame is aluminium with welded and finished corners powder coated white or RAL colour choice.

- Front Access
- White EDPM closed cell gaskets
- 2 x 55w lamps controlled by HF dimming gear with semi-specular Cross blade louvre.
- 2 x 55w lamps controlled by HF Gear with TPa rated prismatic diffuser.
- Emergency version - 3 hour self contained as standard Standard with self-test options
- The diffuser is smooth face for ease of cleaning

### Mounting Arrangements



Nominal Size (mm)	CAT No.	Description	Body Size (mm)	Cut Aperture (mm)
600 x 600	4167484	4 x 55w TC-L	640 x 540	650 x 550