

Start Recessed T5



These products must be Earthed

IS1406

0055570 0055571 0055572 0055573 0055574 0055575
 0055576 0055577 0055578 0055579 0055580 0055581
 0055582 0055583 0055584 0055585 0055586 0055587
 0055588 0055589 0055590 0055591 0055592 0055593
 0055594 0055595 0055596 0055597 0055598 0055599
 0055670 0055671 0055672 0055673 0055674 0055675
 0055676 0055677 0055678 0055679 0055680 0055681
 0055682 0055683 0055684 0055685 0055686 0055687
 0055688 0055689
 ⚠️
 0055690 0055691 0055692 0055693 0055694 0055695
 0055696 0055697 0055698 0055699 0055700 0055701
 0055702 0055703 0055704 0055705 0055706 0055707
 0055708 0055709

Disconnect from mains supply before replacing the fuse or the lamp.

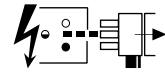
Vor dem Einsetzen der Sicherung oder der Lampe Spannungsfreiheit herstellen.

Débrancher le secteur avant de remplacer le fusible ou l'ampoule.

Desconectar del suministro de la red, antes de realizar la sustitución del fusible o de la lámpara.

Voor het vervangen van lamp of zekering, eerst netspanning uitschakelen.

Koppla bort spänningen före byte av en säkring eller en lamp.



Switch Off

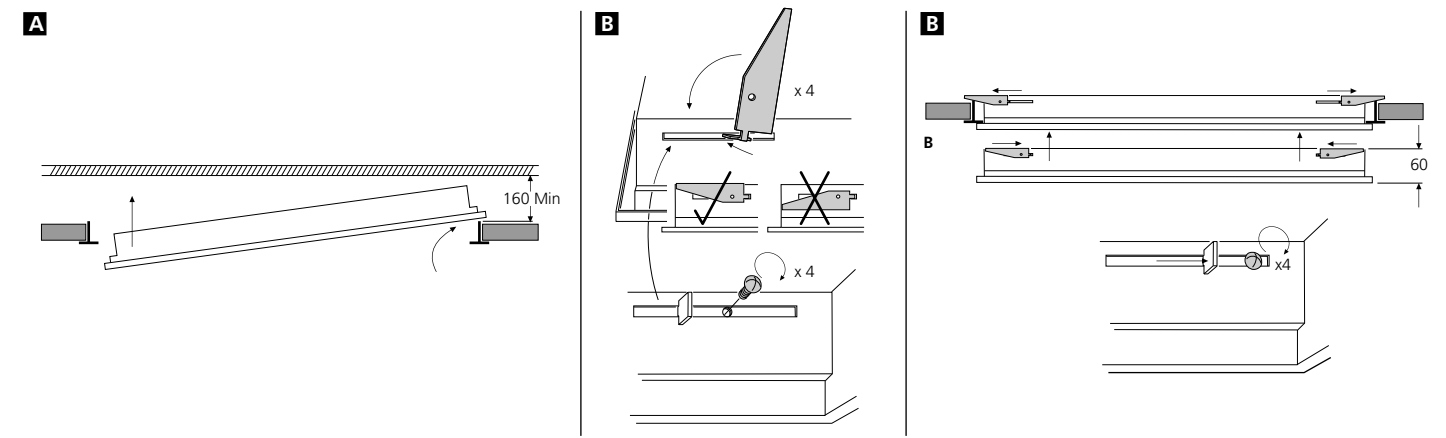
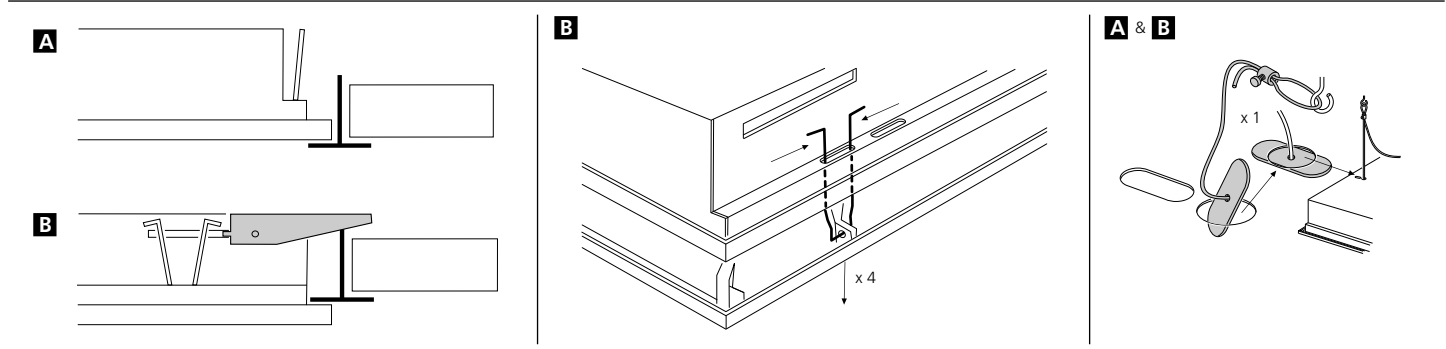
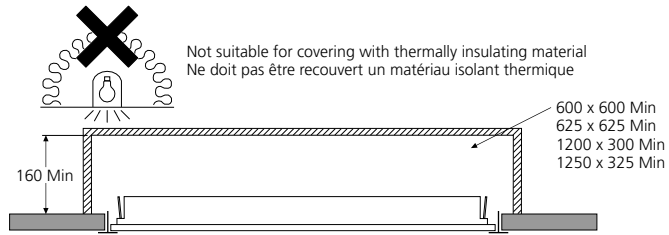
Abschalten

Débrancher

Desconectar

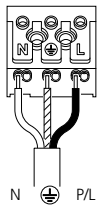
Uitschakelen

Stäng av



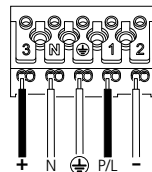
⚡ 230-240V 1.0mm² Min

0055570 0055571 0055572 0055573 0055574 0055575
 0055576 0055577 0055578 0055579 0055580 0055581
 0055582 0055583 0055584 0055585 0055586 0055587
 0055588 0055589 0055590 0055591 0055592 0055593
 0055594 0055595 0055596 0055597 0055598 0055599



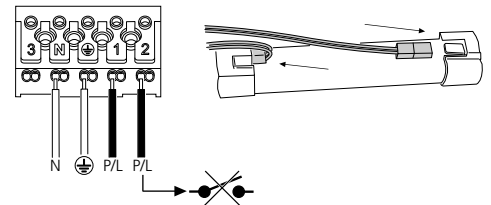
~ 1-10V

0055670 0055671 0055672 0055673 0055674 0055675
 0055676 0055677 0055678 0055679 0055680 0055681
 0055682 0055683 0055684 0055685 0055686 0055687
 0055688 0055689

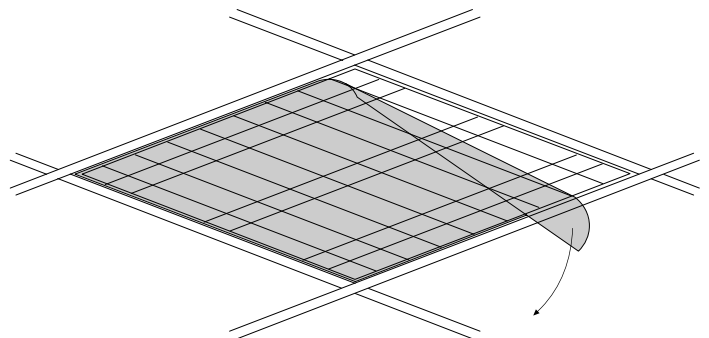
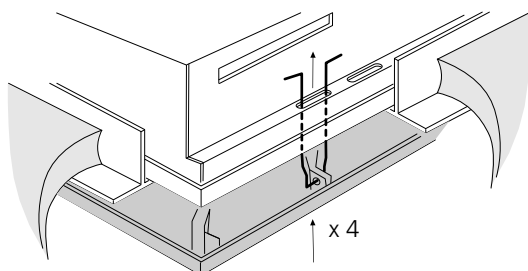


⚠️

0055690 0055691 0055692 0055693 0055694 0055695
 0055696 0055697 0055698 0055699 0055700 0055701
 0055702 0055703 0055704 0055705 0055706 0055707
 0055708 0055709



A & B



Routine Testing

Testing should be carried out in accordance with the recommendations of BS5266.

1. A monthly functional test.
2. Twice yearly, a one hour test.
3. Every three years, a full three hour duration test.

The above tests assume a three hour system.

4. Batteries should be replaced when the luminaire no longer meets the 3 hours duration performance.

5. Testing could be performed by interrupting the fixed phase supply for the test duration, during which the luminaire should remain lit.

6. Ensure that the 'LED' is 'OFF' during 'Discharge Mode', and 'ON' during 'Charging Mode'.

7. Replace faulty lamps immediately.

To assist with this testing, a test card is included below.

If the charge indicator (LED) is unlit, this signifies a fault. To increase the chance of a fault being reported between monthly tests, it is desirable that staff are made aware of the purpose of the indicator.

This module should not be modified or repaired by any person other than those nominated by the manufacturer. ANY unauthorised modifications may render the module unsafe and will invalidate our warranty and conformance to any safety standards that may apply. The company will accept no responsibility for any modified modules, or for damage caused as a result of modifications.

All details are given for guidance only and do not constitute a contract. We reserve the right to change the characteristics of products without notice.

Test Record

Type:.....	Location.....	1st Year	2nd Year	3rd Year	4th Year	5th Year
Month	Test					
	1. Functional					
	2. Functional					
	3. Functional					
	4. Functional					
	5. Functional					
	6. Functional					
	7. Functional					
	8. Functional					
	9. One Hour					
	Three Hour					
	10. Functional					
	11. Function					
	12. Funtional					

Suitable for use indoors

Geeignet für Innenanwendung

Pour un usage interne

Adecuada para uso en interiores

Geschild voor gebruik binnen

Lämplig för inomhusbruk



Replace any cracked protective shield.

Dieses symbol bedeutet, dass defekte schutzgläser sofort ersetzt werden müssen.

Ce symbol indique que vous devez remplacer tout verre de protection fêlé.

Este simbolo indica que hay que reemplazar filtros en caso de rotura o desperfectos.

Dette symbolet indikerer at alle ødelagte (sprukne) sikkerhetglass må skiftes.

Valaisinta el saa käyttää ilman suojalasia vioitunutta suojalasia on vaihdettava uuteen ennen valaisimen käyttöönottoa.