

Start Recessed T8

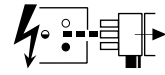


These products must be Earthed

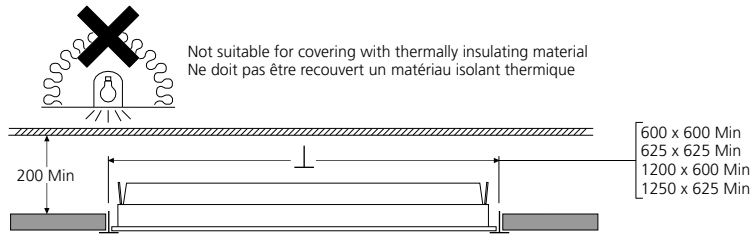
IS1407

0053030 0053031 0053032 0053033 0053046 0053047
 0053048 0053049 0053062 0053063 0053064 0053065
 0053034 0053035 0053036 0053037 0053050 0053051
 0053052 0053053 0053066 0053067 0053068 0053069

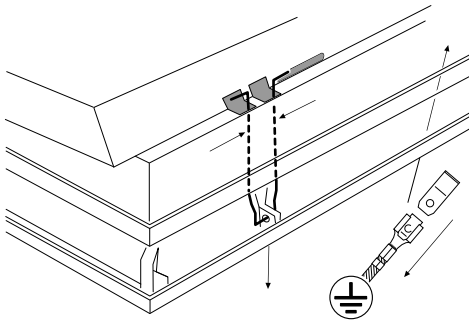
Disconnect from mains supply before replacing the fuse or the lamp.
 Vor dem Einsetzen der Sicherung oder der Lampe Spannungsfreiheit herstellen.
Débrancher le secteur avant de remplacer le fusible ou l'ampoule.
 Desconectar del suministro de la red, antes de realizar la sustitución del fusible o de la lámpara.
Voor het vervangen van lamp of zekering, eerst netspanning uitschakelen.
 Koppla bort spänningen före byte av en säkring eller en lampa.



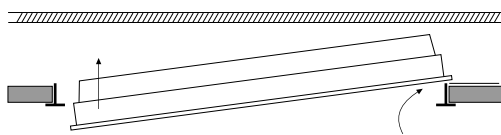
Switch Off
 Abschalten
Débrancher
 Desconectar
Uitschakelen
 Stäng av



1



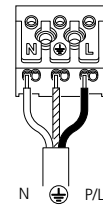
2



3

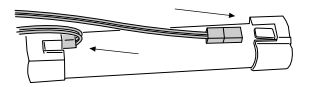
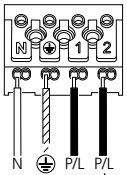
230-240V 1.0mm² Min

0053030 0053031 0053032 0053033
 0053046 0053047 0053048 0053049
 0053062 0053063 0053064 0053065



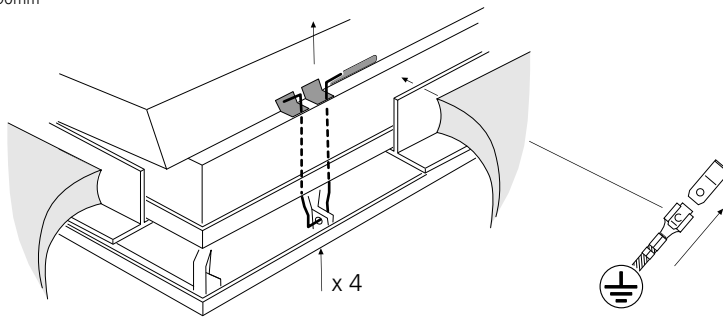
4

0053034 0053035 0053036 0053037
 0053050 0053051 0053052 0053053
 0053066 0053067 0053068 0053069



4

3/4 x18W T8 G13 590mm



Routine Testing

Testing should be carried out in accordance with the recommendations of BS5266.

- 1. A monthly functional test.
 - 2. Twice yearly, a one hour test.
 - 3. Every three years, a full three hour duration test.
- The above tests assume a three hour system.

- 4. Batteries should be replaced when the luminaire no longer meets the 3 hours duration performance.
- 5. Testing could be performed by interrupting the fixed phase supply for the test duration, during which the luminaire should remain lit.
- 6. Ensure that the 'LED' is 'OFF' during 'Discharge Mode', and 'ON' during 'Charging Mode'.
- 7. Replace faulty lamps immediately.

To assist with this testing, a test card is included below.

If the charge indicator (LED) is unlit, this signifies a fault. To increase the chance of a fault being reported between monthly tests, it is desirable that staff are made aware of the purpose of the indicator.

This module should not be modified or repaired by any person other than those nominated by the manufacturer. ANY unauthorised modifications may render the module unsafe and will invalidate our warranty and conformance to any safety standards that may apply. The company will accept no responsibility for any modified modules, or for damage caused as a result of modifications.

All details are given for guidance only and do not constitute a contract. We reserve the right to change the characteristics of products without notice.

Test Record

Type:.....	Location.....	1st Year	2nd Year	3rd Year	4th Year	5th Year
Month	Test					
	1. Functional					
	2. Functional					
	3. Functional					
	4. Functional					
	5. Functional					
	6. Functional					
	7. Functional					
	8. Functional					
	9. One Hour					
	Three Hour					
	10. Functional					
	11. Function					
	12. Functional					

Suitable for use indoors

Geeignet für Innenanwendung

Pour un usage interne

Adecuada para uso en interiores

Geschikt voor gebruik binnen

Lämpig för inomhusbruk

