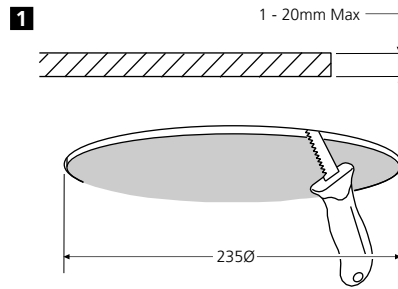
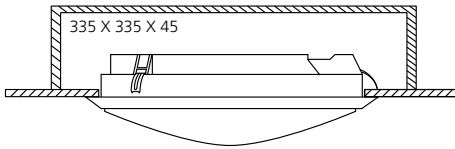
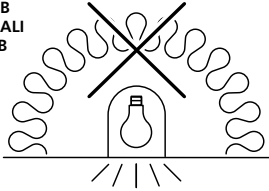
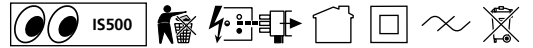
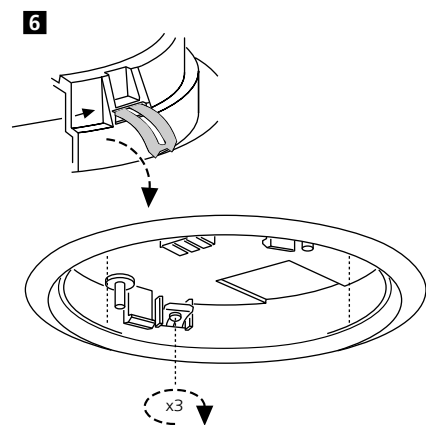
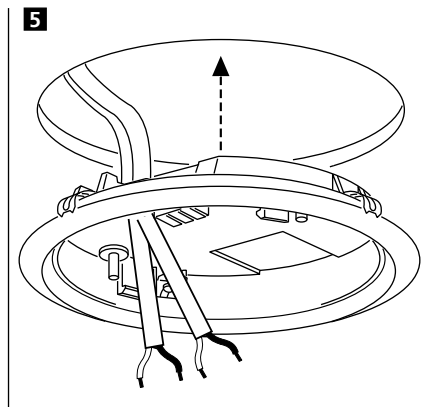
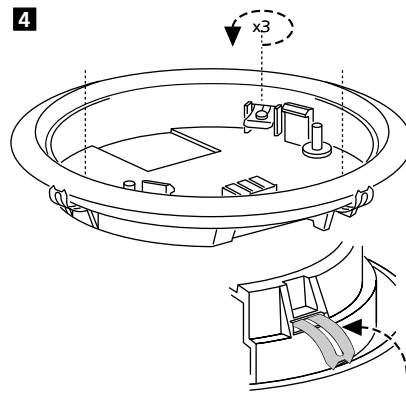
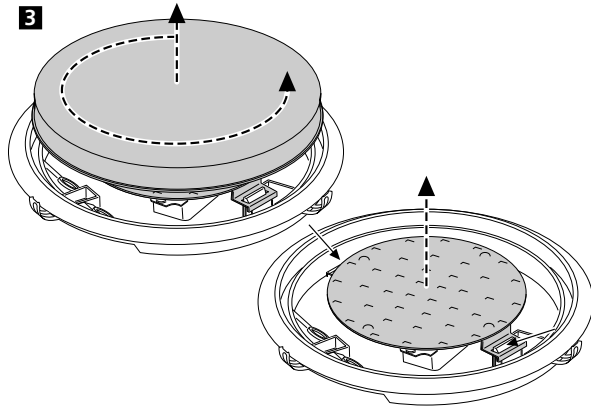
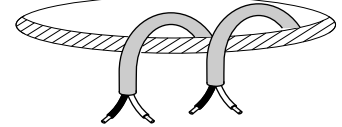


3032841, 42 DB
 3032863, 64 DALI
 3032889, 90 EB



2 **STD**
 230-240V~
 2 x 0.75mm² Min. P/L, N.
DIM/DALI
 230-240V~
 2 x 0.75mm² Min. P/L, N
 +
 2 x 0.75mm² Min. +,-.



7 **!** ENSURE DRIVER HAS **NOT** BEEN POWERED FOR AT LEAST 1(ONE) MINUTE **BEFORE** CONNECTING LED STRING.

3032841, 42 DB
 3032863, 64 DALI
 3032889, 90 EB

