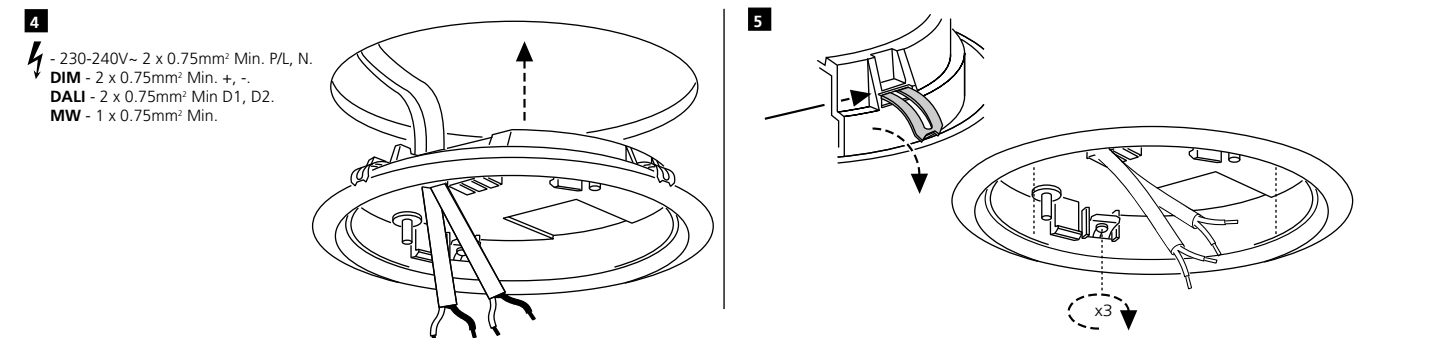
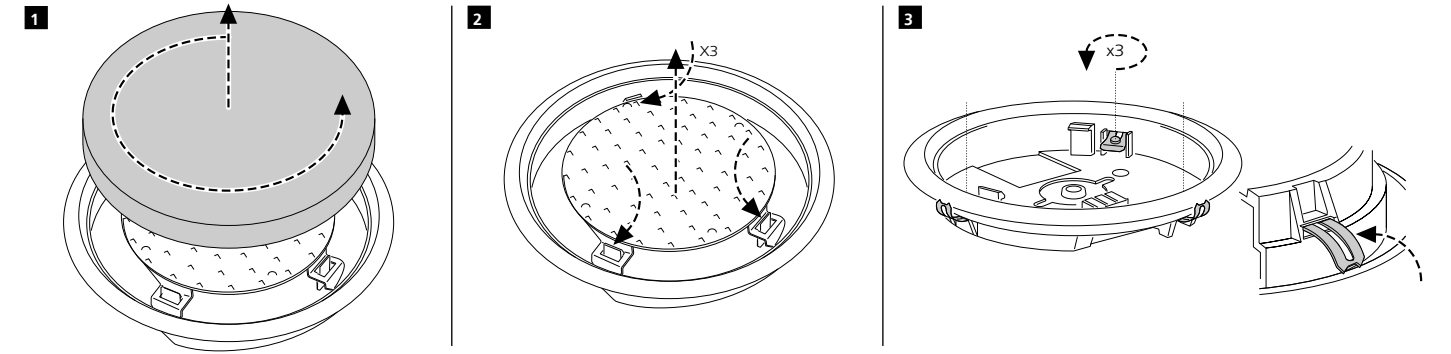
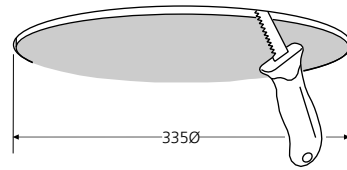
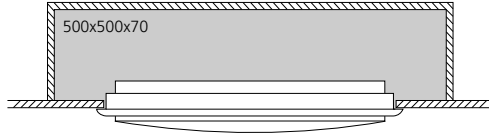
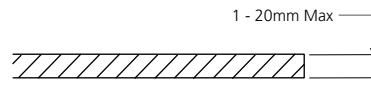
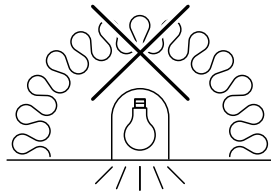
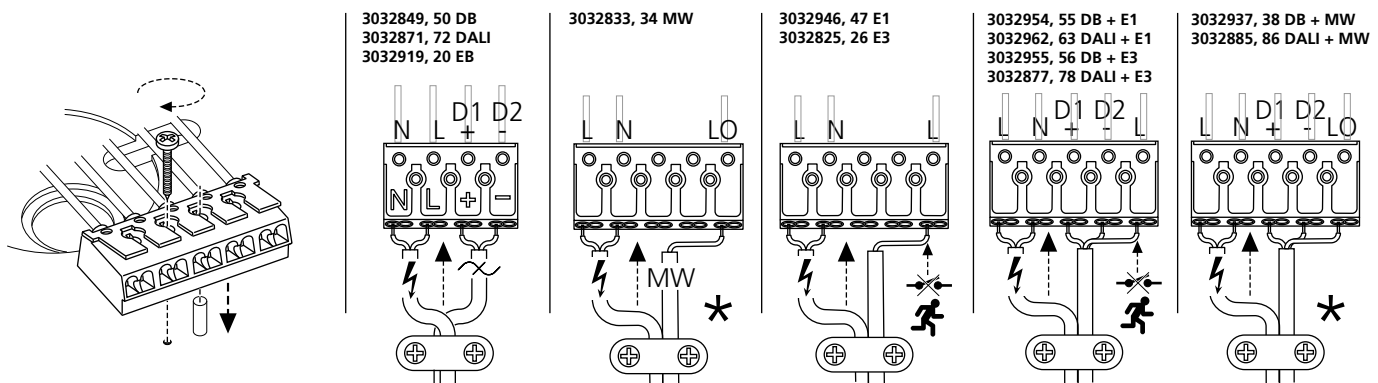


- 3032819, 20 EB
- 3032825, 26 E3
- 3032833, 34 MW **
- 3032849, 50 DB
- 3032855, 56 DB + E3
- 3032871, 72 DALI
- 3032877, 78 DALI + E3
- 3032885, 86 DALI + MW **
- 3032937, 38 DB + MW **
- 3032946, 47 E1
- 3032954, 55 DB + E1
- 3032962, 63 DALI + E1

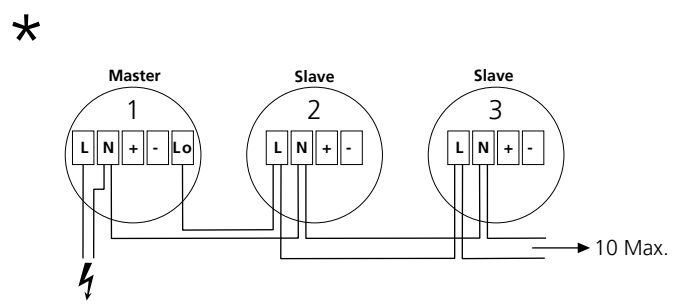
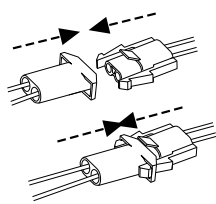


- ⚡ - 230-240V~ 2 x 0.75mm² Min. P/L, N.
- DIM - 2 x 0.75mm² Min. +, -
- DALI - 2 x 0.75mm² Min D1, D2.
- MW - 1 x 0.75mm² Min.

6 ⚡ **ENSURE DRIVER HAS NOT BEEN POWERED FOR AT LEAST 1(ONE) MINUTE BEFORE CONNECTING LED STRING.**

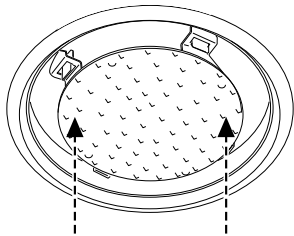


- 3032825, 26 E3
- 3032855, 56 DB E3
- 3032877, 78 DALI E3
- 3032947, 48 E1
- 3032954, 55 DB E3
- 3032962, 63 DALI E3

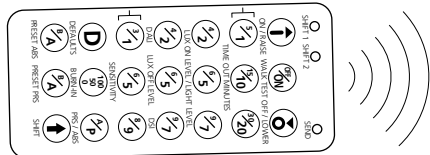
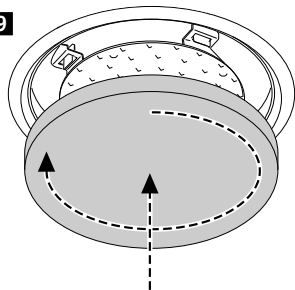


JAN	FEB	MAR	APR
MAY	JUN	JUL	AUG
SEP	OCT	NOV	DEC
2013	2014	2015	2016
2017	2018	2019	2020
2021	2022	2023	2024

8



9



Infra red Handset Adjustment

1. The functionality of the microwave unit is controlled by a number of parameters which can be changed or programmed by an infra red handset.
2. Point the handset at the sensor and send the required programming commands to the unit.
3. For full programming details see the user guide supplied with the handset.

Fault Finding

Load does not come on?

Check to see if the live supply to the circuit is good. Strap across the L and LIVE OUT (where used) terminal to turn the load on.

If the supply and wiring are good, check the LUX level setting. Increase the LUX level setting to allow the controller to turn on at higher ambient natural light level.

Lights do not go off?

Ensure that the area is left unoccupied for longer than the selected timer setting. Make sure that the sensor is not adjacent to circulating air, heaters or lamps. If the unit 'false triggers' reduce the sensitivity using the sensitivity settings.

**** Microwave Set-up.**

Positioning.

The detector should be sited so that the occupants of the room fall inside the detection pattern shown in Fig. A. Please note that when ceiling mounting, the recommended ceiling height of the sensor head is 2.4m. Note that the lower the sensor is installed the smaller the detection range will be, subject to the parameters shown on the diagram.

Avoid direct sunlight entering the sensor.

Do not site within 1m of forced air heating or ventilation.

Do not fix to a vibrating surface.

Avoid metallic objects directly in front of the sensor head.

Do not fit to a suspended luminaire.

Fig. A

Please note that when the sensor head is behind a glass/polycarbonate diffuser it will reduce the detection range by approximately 20%.

