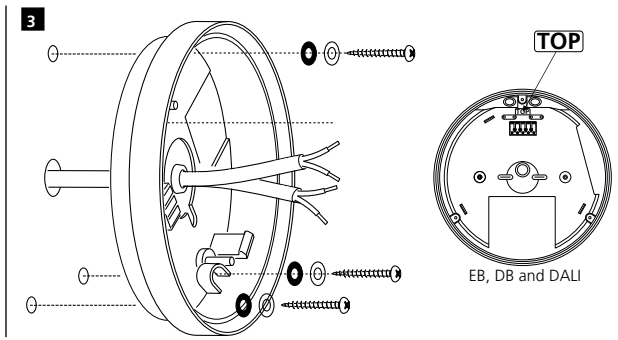
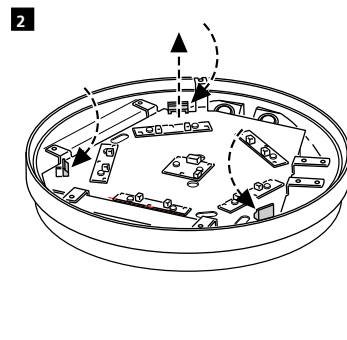
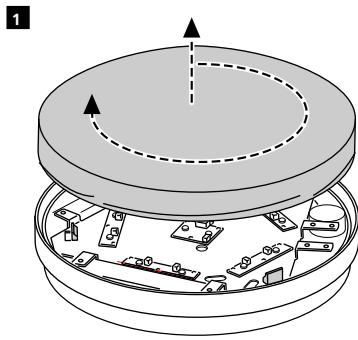
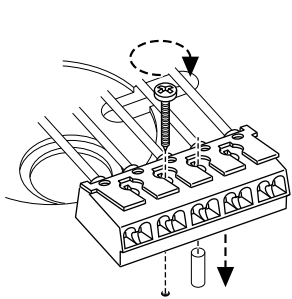


3032827 3032828 EB  
 3032857 3032858 DB  
 3032879 3032880 DALI

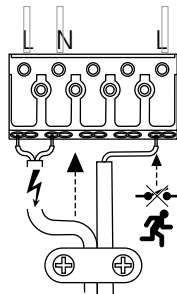


**4** ⚡ - 230-240V~ 3 x 0.75mm<sup>2</sup> Min. 2 x P/L, N. DIM - 2 x 0.75mm<sup>2</sup> Min. +, - DALI - 2 x 0.75mm<sup>2</sup> Min D1, D2.

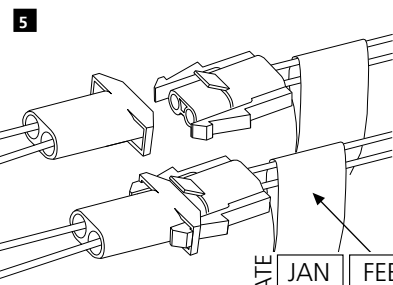
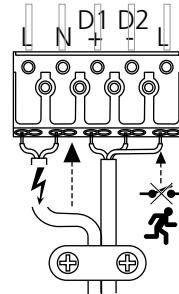
ENSURE DRIVER HAS **NOT** BEEN POWERED FOR AT LEAST 1 (ONE) MINUTE **BEFORE** CONNECTING LED STRING.



3032827 3032828 EB



3032857 3032858 DB  
 3032879 3032880 DALI



COMMISSIONING DATE

JAN	FEB	MAR	APR
MAY	JUN	JUL	AUG
SEP	OCT	<del>NOV</del>	DEC
2010	2011	2012	2013
2014	2015	2016	2017
2018	2019	2020	2021

