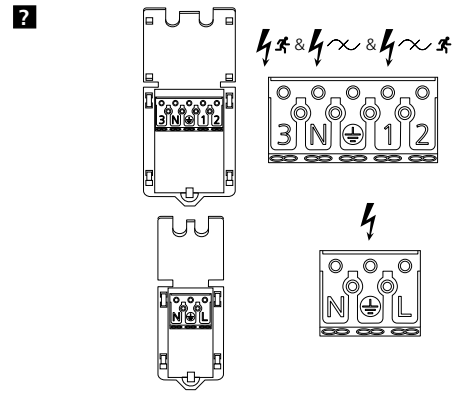
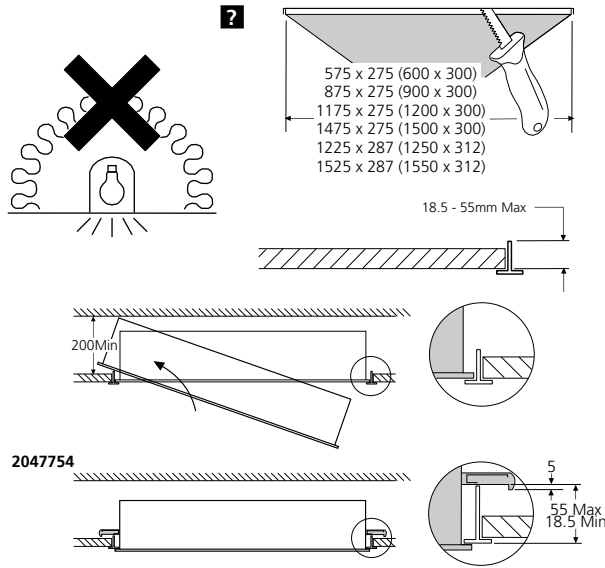
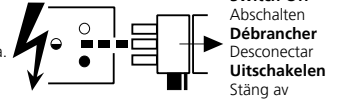


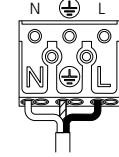
1200 x 300	900 x 300
2053097	2053127
2053098	2053128
2053099	1250 x 312
2053100	2053129
2053101	2053130
2053102	2053131
2053103	2053132
2053104	2053133
2053105	2053134
2053106	2053135
2053107	2053136
2053108	2053137
1500 x 300	2053138
2053109	2053139
2053110	2053140
2053111	1550 x 312
2053112	2053141
2053113	2053142
2053114	2053143
2053115	2053144
2053116	2053145
2053117	2053146
2053118	2053147
2053119	2053148
2053120	2053149
2053121	2053150
2053122	2053151
2053123	2053152
2053124	2053153
600 x 300	2053154
2053125	2053155
2053126	2053156

- Emergency
 - DALI / DSI Dimming

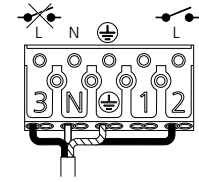
Disconnect from mains supply before replacing the fuse or the lamp.
 Vor dem Einsetzen der Sicherung oder der Lampe Spannungsfreiheit herstellen.
Débrancher le secteur avant de remplacer le fusible ou l'ampoule.
 Desconectar del suministro de la red, antes de realizar la sustitución del fusible o de la lámpara.
Voor het vervangen van lamp of zekering, eerst netspanning uitschakelen.
 Koppla bort spänningen före byte av en säkring eller en lampa.



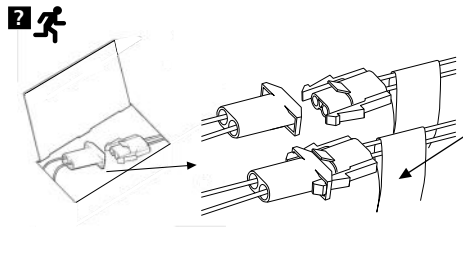
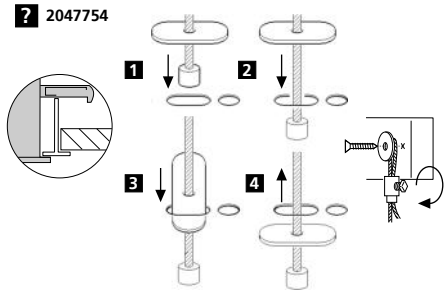
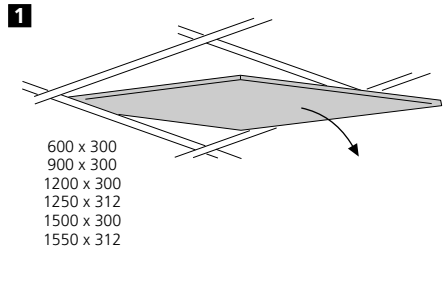
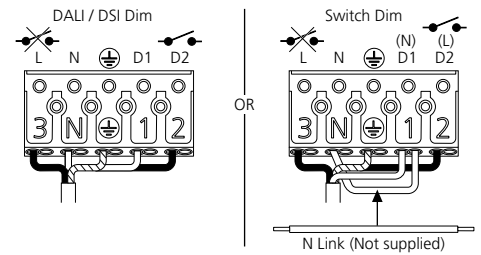
2 230-240V~ 1.0mm² Min.
 2053097 2053101 2053105 2053109 2053113 2053117 2053121
 2053125 2053127 2053129 2053133 2053137 2053141 2053145
 2053149 2053153



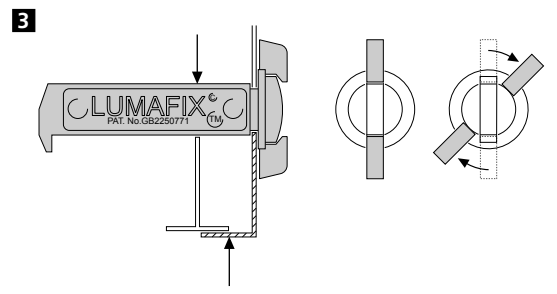
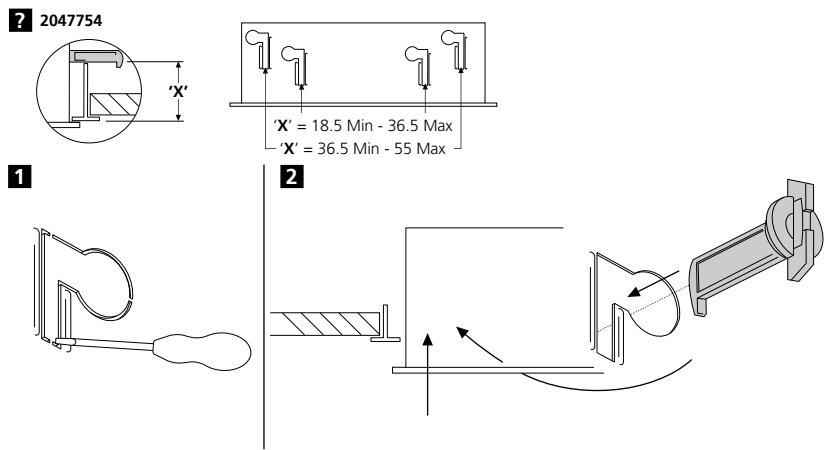
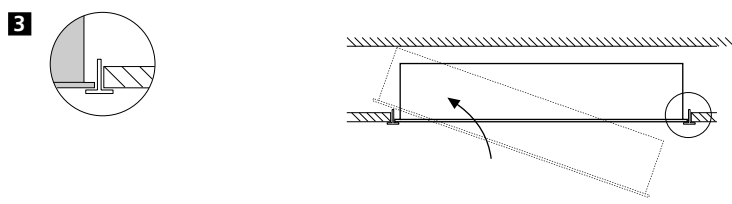
2053098 2053102 2053106 2053110 2053114 2053118
 2053122 2053130 2053134 2053138 2053142 2053146
 2053150 2053154



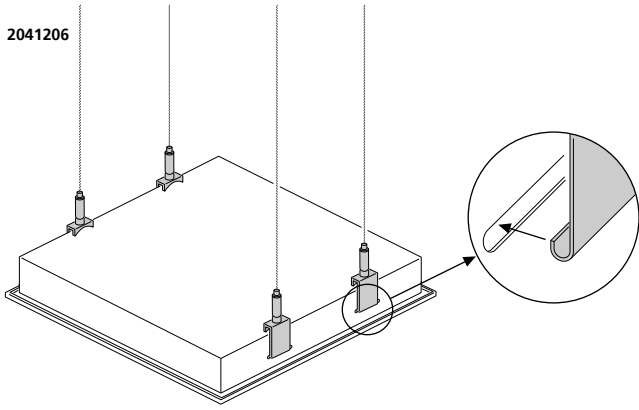
2053099 2053100 2053103 2053104 2053107 2053108
 2053111 2053112 2053115 2053116 2053119 2053120
 2053123 2053124 2053126 2053128 2053131 2503132
 2053135 2053136 2053139 2053140 2053143 2053144
 2053147 2053148 2053151 2053152 2053155 2053156



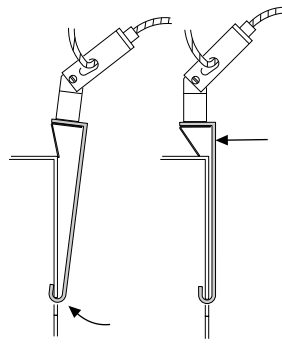
COMMISSIONING DATE	JAN	FEB	MAR	APR
	MAY	JUN	JUL	AUG
	2010	2011	2012	2013
	2014	2015	2016	2017
	2018	2019	2020	2021



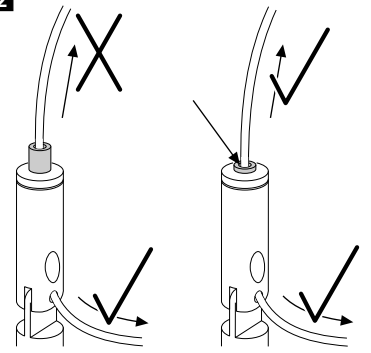
2041206



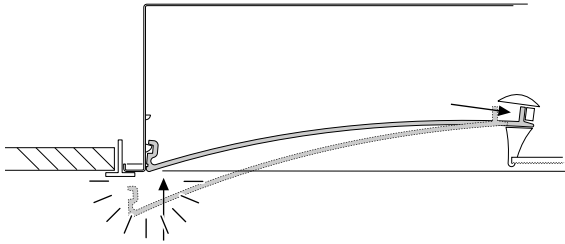
1



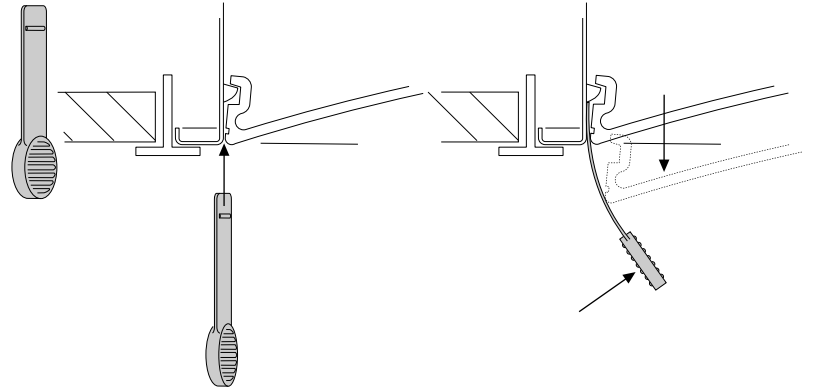
2



4



?



Routine Testing

Testing should be carried out in accordance with the recommendations of BS5266.

1. A monthly functional test.
 2. Twice yearly, a one hour test.
 3. Every three years, a full three hour duration test.
- The above tests assume a three hour system.
4. Batteries should be replaced when the luminaire no longer meets the 3 hours duration performance.
 5. Testing could be performed by interrupting the fixed phase supply for the test duration, during which the luminaire should remain lit.
 6. Ensure that the 'LED' is 'OFF' during 'Discharge Mode', and 'ON' during 'Charging Mode'.
 7. Replace faulty lamps immediately.

To assist with this testing, a test card is included below.

If the charge indicator (LED) is unlit, this signifies a fault. To increase the chance of a fault being reported between monthly tests, it is desirable that staff are made aware of the purpose of the indicator.

This module should not be modified or repaired by any person other than those nominated by the manufacturer. ANY unauthorised modifications may render the module unsafe and will invalidate our warranty and conformance to any safety standards that may apply. The company will accept no responsibility for any modified modules, or for damage caused as a result of modifications.

All details are given for guidance only and do not constitute a contract. We reserve the right to change the characteristics of products without notice.

Test Record

Type:.....	Location.....	1st Year	2nd Year	3rd Year	4th Year	5th Year
Month	Test					
	1. Functional					
	2. Functional					
	3. Functional					
	4. Functional					
	5. Functional					
	6. Functional					
	7. Functional					
	8. Functional					
	9. One Hour					
	Three Hour					
	10. Functional					
	11. Function					
	12. Functional					

Suitable for use indoors

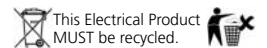
Geeignet für Innenanwendung

Pour un usage interne

Adecuada para uso en interiores

Geschikt voor gebruik binnen

Lämpig för inomhusbruk



Concord

Avis Way Newhaven East Sussex BN9 0ED
 T 0870 606 2030 F 01273 512 688 email: information@concordmarlin.com
 www.havells-sylvania.com

© Concord Lighting Limited
 01.12