

4068458-4068464

Installation should be carried out by a qualified Electrician in accordance with all national and local electrical and construction codes and regulations.

Isolate from the mains supply before any maintenance.

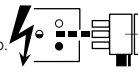
Vor Wartungsarbeiten von der Netzspannung trennen.

Veillez isoler le luminaire du courant avant toute maintenance.

Aislar de la red eléctrica antes de cualquier operación de mantenimiento.

Koppel het toestel af van de netspanning voor elk onderhoud.

Isolera från elnätet innan något underhåll.



Switch Off
Abschalten
Débrancher
Desconectar
Uitschakelen
Stäng av

Introduction

The POWERBOX 8 control box can control up to 8 luminaires with LED technology. Each channel controlling 9 LED's per channel (monochrome/RGB). The POWERBOX is remotely controlled through a DMX-512 and each channel can be controlled separately. The POWERBOX should be connected to the control box with the minimum 1.0mm² Cable to reduce voltage reduction.

- Do not force any luminaire connectors or cable glands.
- Use the Blanking plugs (supplied) to seal off all connectors and glands, to ensure IP65.
- Always take care when handling the Control Box.
- Ensure the correct polarity is maintained.
- Do not connect/disconnect luminaire to the POWERBOX with the mains supply ON.

Power Supply

Power Supply: 100-240Vac 50/60Hz
Maximum module wattage: 300-600W
Efficiency: 90%
PFC: > 0.9
Connection: Nut stuffing M20 x 1.5mm
Input Connector: 8 female pin-out
Output Connector: 8 male pin-out
Connection: Phase, Neutral and Earth
Conductor's Diameter: 2.5mm²
Cable Diameter: 20-113mm²
Maximum linked boxes: 4
Maximum Cable length: 600m

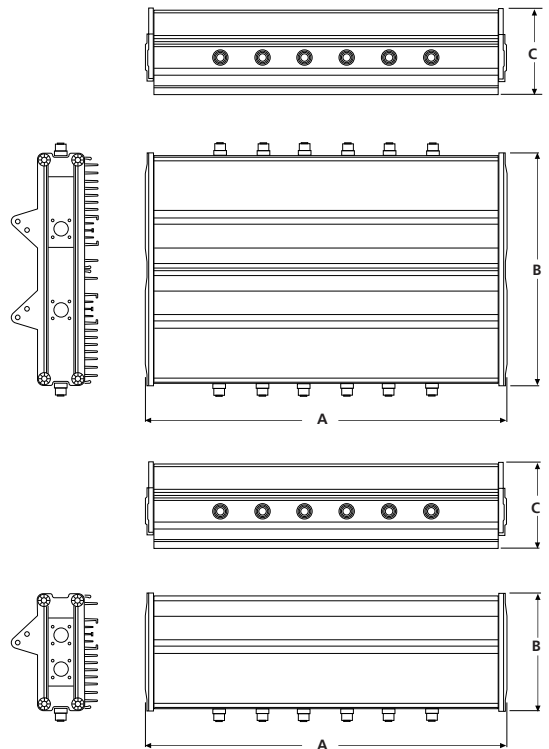
Communications

Protocol: DMX-512. Physical interface RS85 not isolated.
Communication's speed: 250 Kbps
Maximum number of nodes in bus (without repeater): 32
Maximum length of bus (without repeater): 100m
Connection: Nut stuffing M20 x 1.5mm²
Conductor's Diameter: 0.35 -0.5mm²
Cable Diameter: 20-113mm²
Recommended cable: BELDEN 9841

Control Outputs

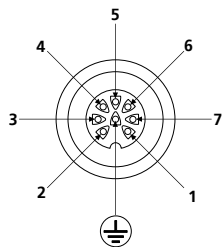
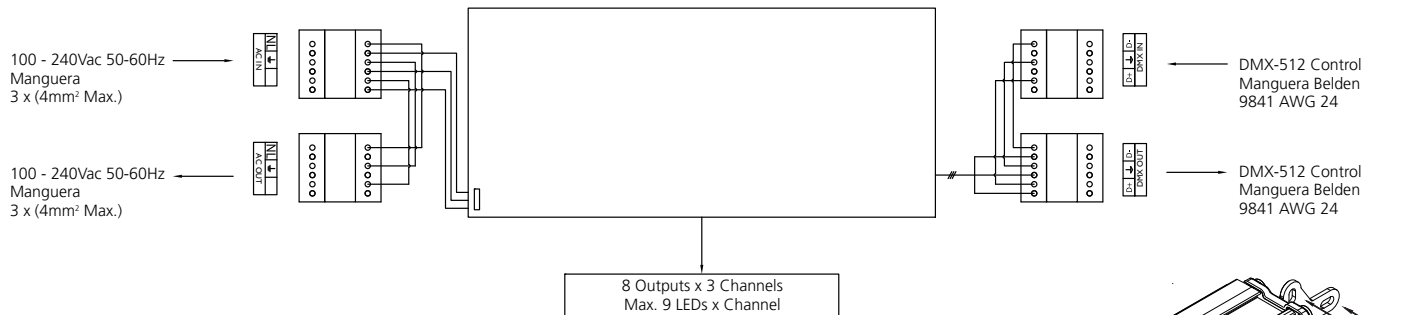
Number of Outputs: 8
Maximum number of channels per output: 3
Maximum current per channel: 350mA
Internal protection against over current by fuse
Output Voltage: 48V
Number of LED's per channel: 1-9
Connection type: 2 wires per channel
Connection: External male 8 poles connector
Conductor's diameter: 0.05 - 0.22mm²
Cable diameter: 12.5 - 50mm²
Maximum cable length between POWERBOX and the Luminaire: 350m

Dimensions A x B x C (mm)
8 Outputs: 500 x 140 x 100

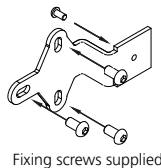


Wiring Diagram

Each output switches one of the three channels (RGB) of each luminaire. Each has a connector of 8 poles, (6 for RGB signals, 1 for Earth and the last not connected). Incorrect connections may damage the control box.



1. Anode RED Channel
2. Cathode RED Channel
3. Anode GREEN Channel
4. Cathode GREEN Channel
5. Anode BLUE Channel
6. Cathode BLUE Channel
7. N/C



Suitable for use indoors

Geeignet für Innenanwendung

Pour un usage interne

Adecuada para uso en interiores

Geschikt voor gebruik binnen

Lämplig för inomhusbruk

Replace any cracked protective shield.

Dieses symbol bedeutet, dass defekte Schutzgläser sofort ersetzt werden müssen.

Ce symbol indique que vous devez remplacer tout verre de protection fêlé.

Este símbolo indica que hay que 'reemplazar filtros en caso de rotura o desperfectos'.

Dette symbolet indikerer at alle ødelagte (sprukne) sikkerhetglass må skiftes.

Valaisinta el saa käyttää ilman suojalasia vioittunut suojalasi on vaihdettava uuteen ennen valaisimen käyttöön ottoa.

