
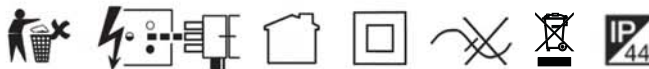


Syl-Lighter LED II
 3031830 3031810 3031818 3031826
 3031831 3031811 3031819 3031827
 3031806 3031812 3031820 3031828
 3031807 3031813 3031821 3031829

Insaver HO Topper LED II
 3033932 3033938 3033944 3033950
 3033933 3033939 3033945 3033951
 3033934 3033940 3033946 3033952
 3033935 3033941 3033947 3033953

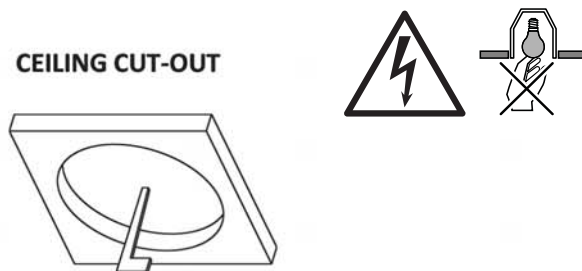
230-240V~ 50/60Hz
 IS500



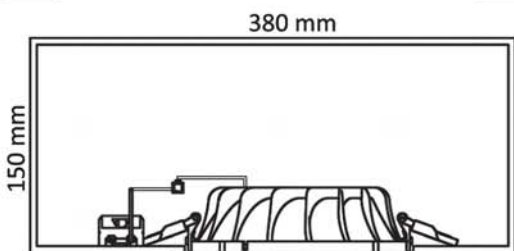
1 CEILING CUT- OUT SIZE

Syl-Lighter LED II	Insaver HO Topper LED II	Cut Out Ø
Syl-Lighter LED II 165 12W	Insaver HO Topper LED II 150 12W	Ø150mm
Syl-Lighter LED II 195 15W	Insaver HO Topper LED II 175 15W	Ø175mm
Syl-Lighter LED II 220 21W	Insaver HO Topper LED II 205 21W	Ø205mm
Syl-Lighter LED II 240 25W	Insaver HO Topper LED II 225 25W	Ø225mm

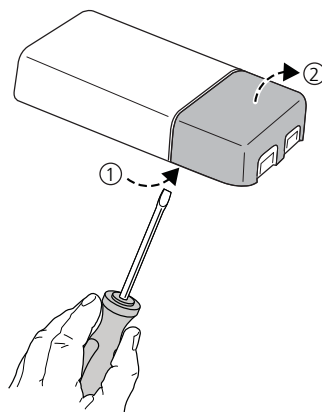
CEILING CUT-OUT



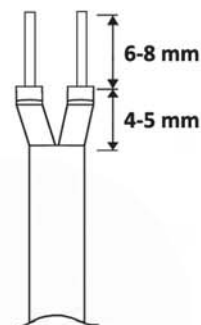
2



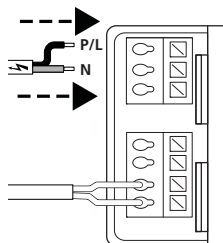
3 TCI



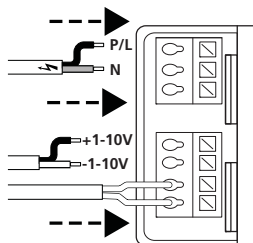
4



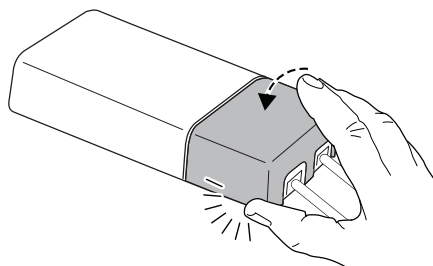
5 ⚡ 230-240V



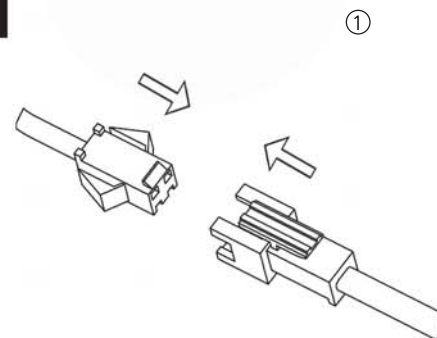
6 TCI ⚡ 230-240V + 1-10V ~



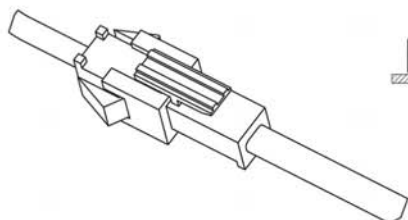
6 TCI



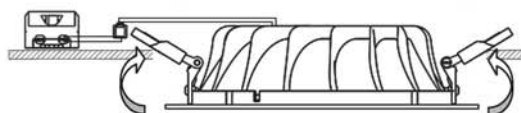
7



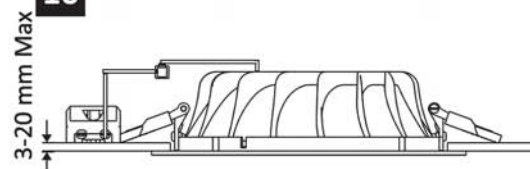
8



9



10



I_{in} = Insaver HO Topper LED II 12W 0.058A; p.f. 0.95
 I_{in} = Insaver HO Topper LED II 15W 0.075A; p.f. 0.95
 I_{in} = Insaver HO Topper LED II 21W 0.100A; p.f. 0.95
 I_{in} = Insaver HO Topper LED II 25W 0.120A; p.f. 0.95

