

# Officelyte Concave LP LED

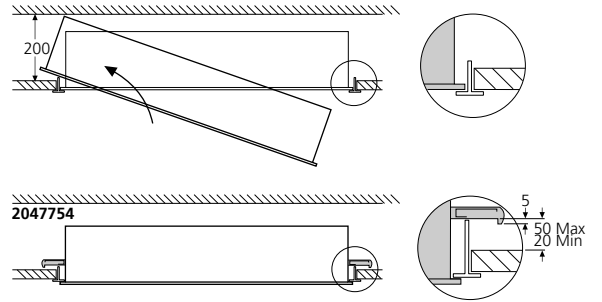
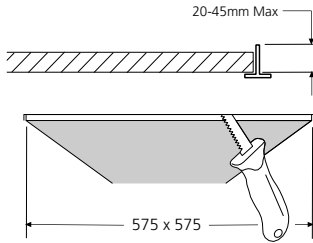
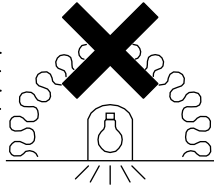
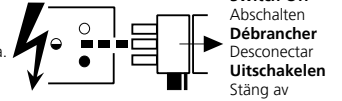


These products must be Earthed

IS1512

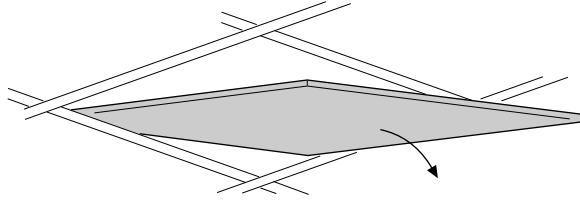
- |           |           |
|-----------|-----------|
| 600 x 600 | 625 x 625 |
| 2054452   | 2055032   |
| 2054456   | 2055036   |
| 2055008   | 2055040   |
| 2055012   | 2055044   |
| 2054453   | 2055033   |
| 2054457   | 2055037   |
| 2055009   | 2055041   |
| 2055013   | 2055045   |
| 2054454   | 2055034   |
| 2054458   | 2055038   |
| 2055010   | 2055042   |
| 2055014   | 2055046   |
| 2054455   | 2055035   |
| 2054459   | 2055039   |
| 2055011   | 2055043   |
| 2055015   | 2055047   |
- Emergency  
 - DALI Dimming

**Disconnect from mains supply before replacing the fuse or the lamp.**  
 Vor dem Einsetzen der Sicherung oder der Lampe Spannungsfreiheit herstellen.  
**Débrancher le secteur avant de remplacer le fusible ou l'ampoule.**  
 Desconectar del suministro de la red, antes de realizar la sustitución del fusible o de la lámpara.  
**Voor het vervangen van lamp of zekering, eerst netspanning uitschakelen.**  
 Koppla bort spänningen före byte av en säkring eller en lampa.

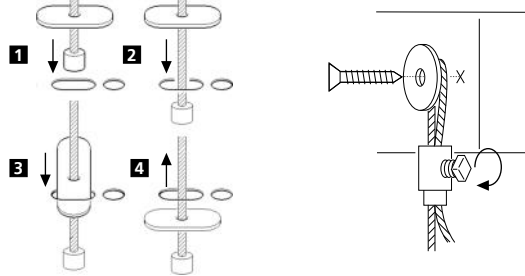


**1**

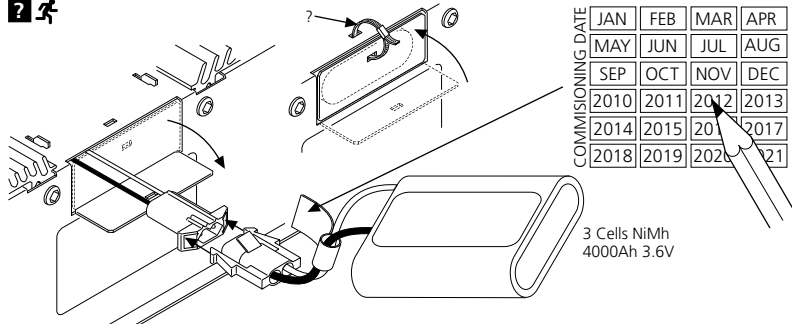
600 x 600  
or  
625 x 625



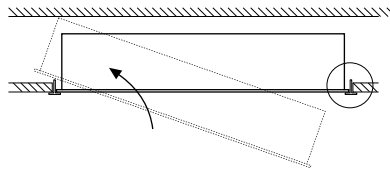
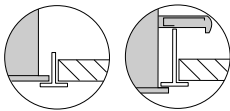
**2** 2047754



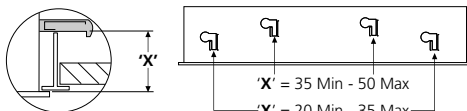
**2**



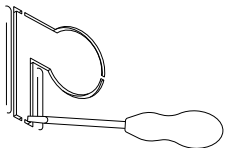
**3**



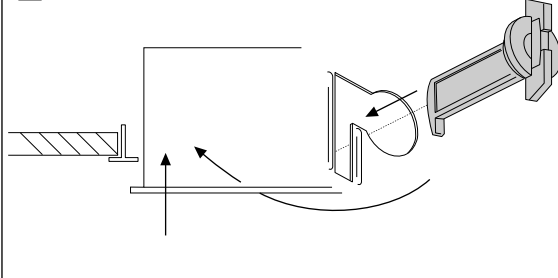
**2** 2047754



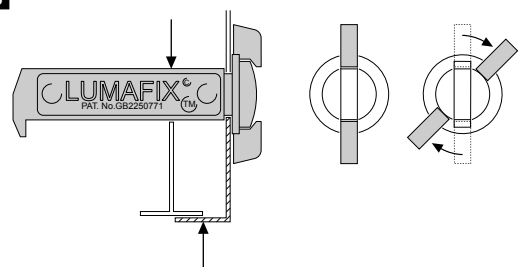
**1**



**2**

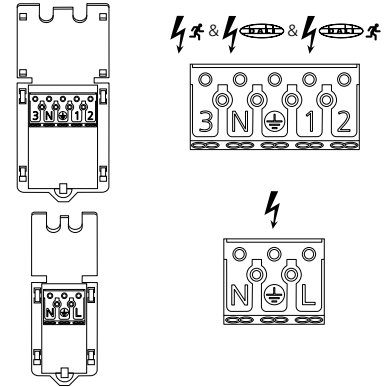


**3**

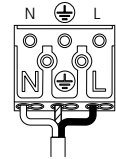


**2** 230-240V~ 1.0mm² Min.

= 1.5mm² Min.

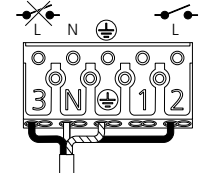


2054452 2054456  
2055008 2055012  
2055032 2055036  
2055040 2055044



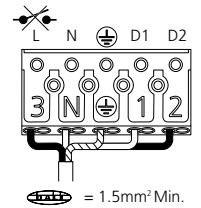
+

2054453 2054457  
2055009 2055013  
2055033 2055037  
2055041 2055045



+

2054454 2054458  
2055010 2055014  
2055034 2055038  
2055042 2055046

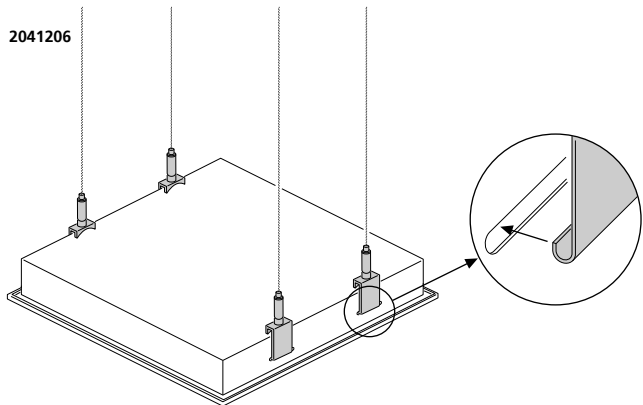


+ +

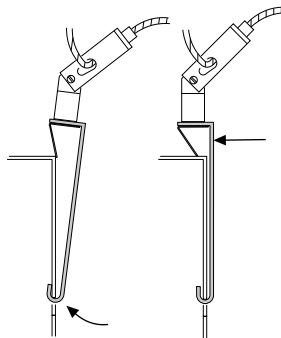
2054455 2054459  
2055011 2055015  
2055035 2055039  
2055043 2055047

= 1.5mm² Min.

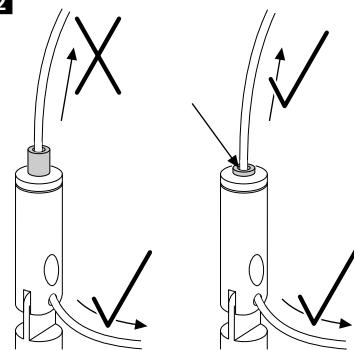
2041206



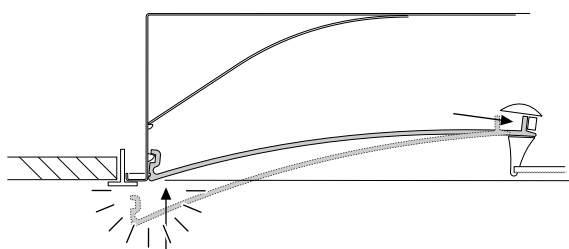
1



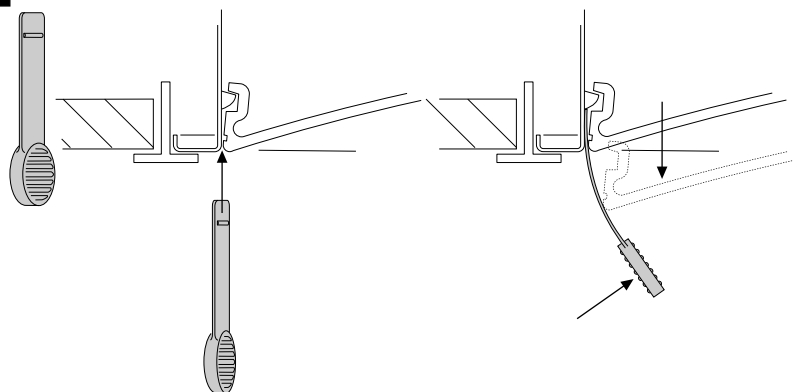
2



4



?



**Routine Testing**

Testing should be carried out in accordance with the recommendations of BS5266.

1. A monthly functional test.
  2. Twice yearly, a one hour test.
  3. Every three years, a full three hour duration test.
- The above tests assume a three hour system.
4. Batteries should be replaced when the luminaire no longer meets the 3 hours duration performance.
  5. Testing could be performed by interrupting the fixed phase supply for the test duration, during which the luminaire should remain lit.
  6. Ensure that the 'LED' is 'OFF' during 'Discharge Mode', and 'ON' during 'Charging Mode'.
  7. Replace faulty lamps immediately.

To assist with this testing, a test card is included below.

If the charge indicator (LED) is unlit, this signifies a fault. To increase the chance of a fault being reported between monthly tests, it is desirable that staff are made aware of the purpose of the indicator.

This module should not be modified or repaired by any person other than those nominated by the manufacturer. ANY unauthorised modifications may render the module unsafe and will invalidate our warranty and conformance to any safety standards that may apply. The company will accept no responsibility for any modified modules, or for damage caused as a result of modifications.

All details are given for guidance only and do not constitute a contract. We reserve the right to change the characteristics of products without notice.

**Test Record**

Type:.....	Location.....	1st Year	2nd Year	3rd Year	4th Year	5th Year
Month	Test					
	1. Functional					
	2. Functional					
	3. Functional					
	4. Functional					
	5. Functional					
	6. Functional					
	7. Functional					
	8. Functional					
	9. One Hour					
	Three Hour					
	10. Functional					
	11. Function					
	12. Functional					

**Suitable for use indoors**

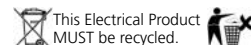
Geeignet für Innenanwendung

Pour un usage interne

Adecuada para uso en interiores

Geschikt voor gebruik binnen

Lämpig för inomhusbruk



**Concord**

Avis Way Newhaven East Sussex BN9 0ED  
 T 0870 606 2030 F 01273 512 688 email: information@concordmarlin.com  
 www.havells-sylvania.com

© Concord Lighting Limited  
 09.12