

1-10V DIM Push-Up Live Feeds



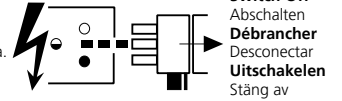
These products must be Earthed

IS1531

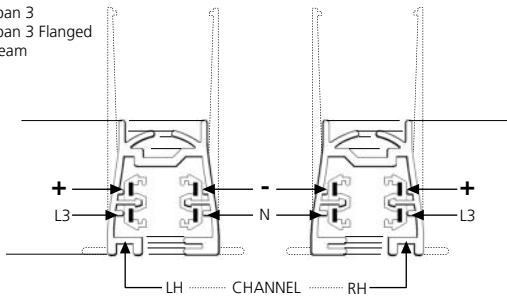
3099131 - RH

For 1-10V DIM Luminaires ONLY fitted with 1-10V DIM adaptors.

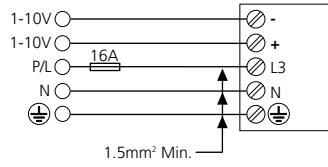
Disconnect from mains supply before replacing the fuse or the lamp.
 Vor dem Einsetzen der Sicherung oder der Lampe Spannungsfreiheit herstellen.
Débrancher le secteur avant de remplacer le fusible ou l'ampoule.
 Desconectar del suministro de la red, antes de realizar la sustitución del fusible o de la lámpara.
Voor het vervangen van lamp of zekering, eerst netspanning uitschakelen.
 Koppla bort spänningen före byte av en säkring eller en lampa.



Lytespan 3
Lytespan 3 Flanged
Lytebeam



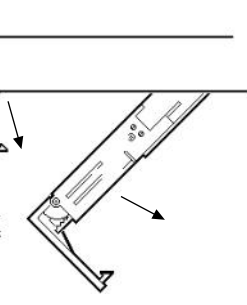
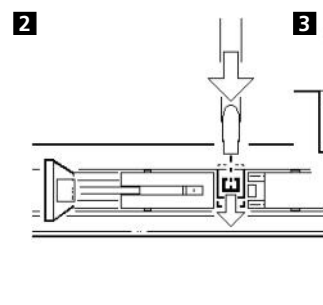
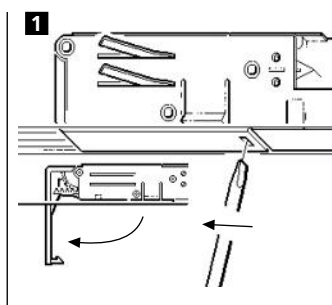
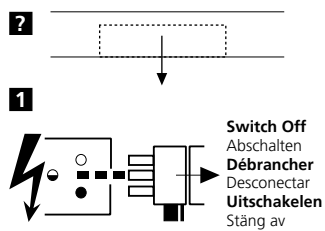
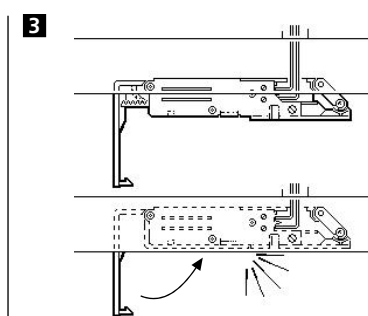
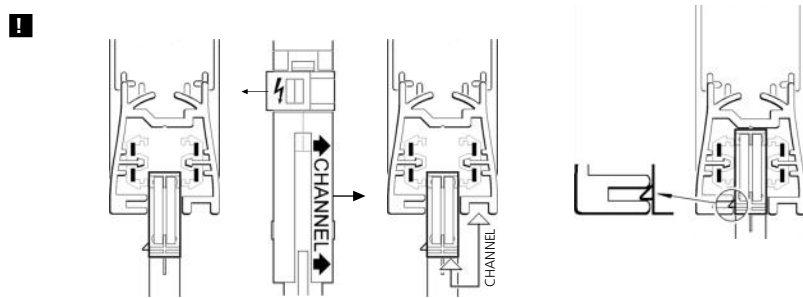
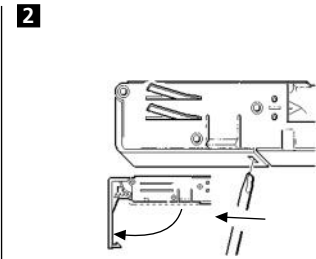
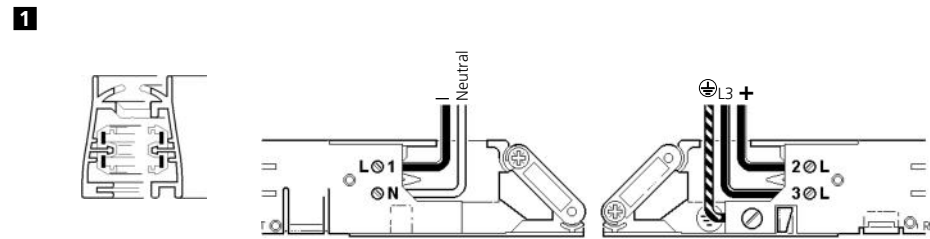
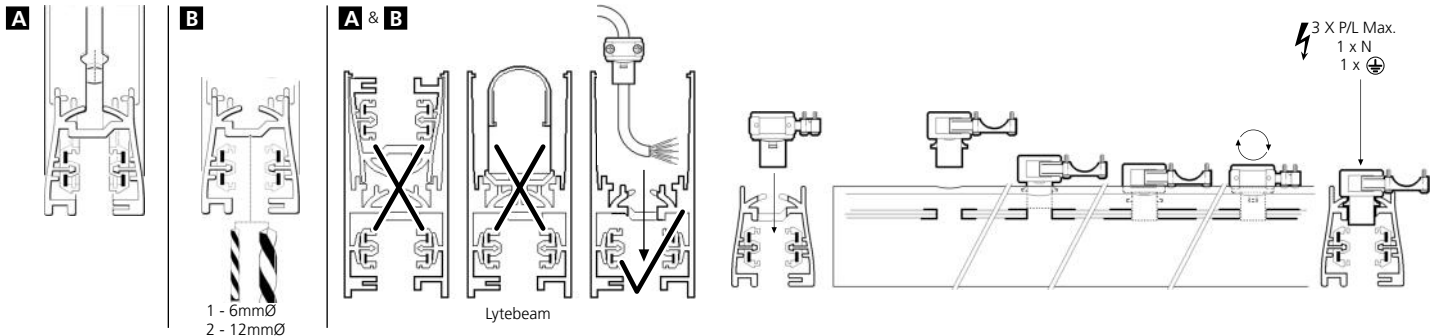
⚡ 400V = 3 x 3680W = 11040W Max.
 ⚡ 415V = 3 x 3840W = 11520W Max



There can be no closed rings in the wiring and the maximum distance between the gateway and the 10/10V DIM unit is 300 m.

Lead Length	Minimum Lead Diameter
up to 100 meters	0.5mm ²
100-150 meters	0.75mm ²
above 150 meters	1.5mm ²

The maximum lead length between two connected systems must not exceed 300 meters.



Suitable for use indoors
 Geeignet für Innenanwendung
Pour un usage interne
 Adecuada para uso en interiores
Geschikt voor gebruik binnen
 Lämpig för inomhusbruk

DO NOT INSULATION TEST WITH SPOTLIGHTS INSTALLED ON THESE TRACKS!

This Electrical Product MUST be recycled.

Concord

Havells Sylvania Europe LTD
 Avis Way, Newhaven East Sussex BN9 0ED UK
 www.havells-sylvania.com



© Concord Lighting Limited
 05.13