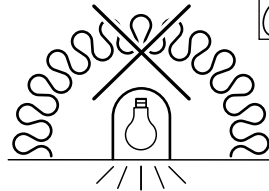
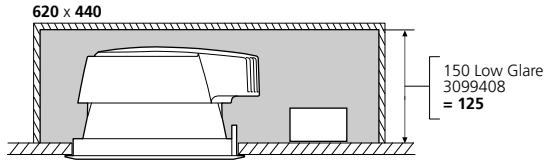


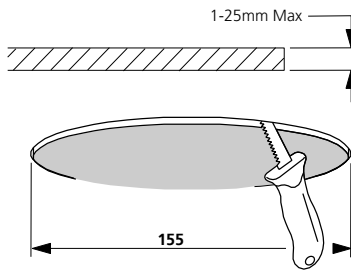
3099408



**150** = 1.5Kg  
**150** Emergency = 2.20Kg



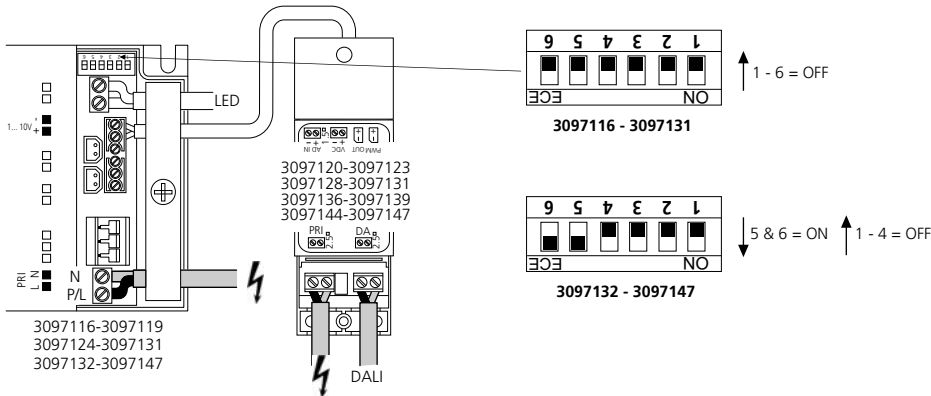
**1**



**2** ⚡ 220-230V

- 3099408  
 1 x P/L & N  
 1 x 1-10V (+ & -)  
 1 x P/L, 1 x N, 1 x E,  
 1 x P/L (⊕ & ⊖)  
 1 x DAL (L & N)

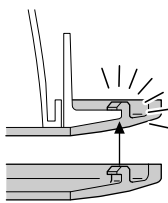
**3** ⚡ TCI MAXI JOLLY & DCC DALI INTERFACE (1)  
 3097116-3097147



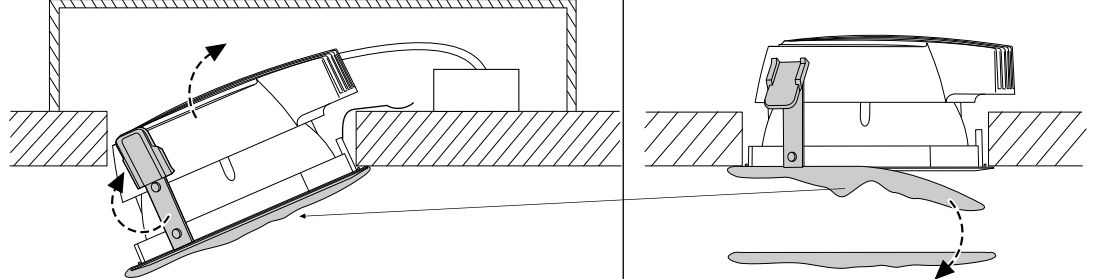
**4**

**i**

**7** Accessory - 3097166 3097167 3097169  
 3097170 3097174 3097175



**ii**



3097168 3097173

