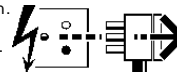


Disconnect from mains supply before replacing the fuse or the lamp.
Vor dem Einsetzen der Sicherung oder der Lampe Spannungsfreiheit herstellen.
Débrancher le secteur avant de remplacer le fusible ou l'ampoule.
Desconectar del suministro de la red, antes de realizar la sustitución del fusible o de la lámpara.
Voor het vervangen van lamp of zekering, eerst netspanning uitschakelen.
Koppla bort spänningen före byte av en säkring eller en lampa.



Switch Off
Abschalten
Débrancher
Desconectar
Uitschakelen
Stäng av

These units are designed for exterior mounting (IP24) in conjunction with Concord:marlin group 2 poles.

TO INSTALL THESE UNITS PROCEED AS FOLLOWS

Switch off the mains electrical supply.

Check that the mains supply conforms with the rating marked on the label attached to the ballast.

For MBF/u types (8041 PM58 and 8051 PM58) it may be necessary, depending on whether a 50W or 80W lamp is to be used, to reposition the brown lampholder feed wire in the ballast terminal block. Make appropriate connections as indicated by the ballast label and affix a corresponding rating label (supplied loose) to the lampholder bracket.

To prevent condensation within the sphere open out the two breather holes, in the gallery adjacent to the clamp screw heads, using a suitable tool to remove the skin across them as shown in fig 2.

Attach the heatshield stem to the lampholder bracket using two of the screws, supplied loose, through the bottom two holes of the stem. Fix the heatshield horizontally to the top of the stem with the remaining screw and nut supplied.

Strip and discard the outer ring from the nylon gasket and place the gasket over the nipple of the spigot. Screw the spigot into the gallery, hand tight, to form a seal with the gasket. Secure the spigot by tightening the socket set screw which is located in the boss on the inside of the gallery.

Slip the seal ring onto the spigot and offer the gallery/spigot assembly to the top of the pole. Pass the mains supply cable, protruding from the pole, through the spigot and into the gallery. Retain the cable by tightening the cable clamp screw situated in the side of the spigot. Engage the spigot of the gallery/spigot assembly in the pole and align its location slots with the setscrew holes in the top of the pole. To secure and seal the gallery assembly to the pole, fit and tighten the setscrews, supplied loose, in the holes in the top of the pole, ensuring that they engage the location slots in the spigot.

Connect the mains supply leads, colour coded brown or red - live (L), blue or black - neutral (N) and green/yellow or green - earth (\oplus), to the terminal block and earth terminal in the gallery as appropriate.

Fit the appropriate lamp as indicated by the label on the lampholder bracket.

Pass the sphere over the sphere clamp and ensure it is concentrically seated on the gasket in the gallery. Tighten the clamp screws to secure it in position.

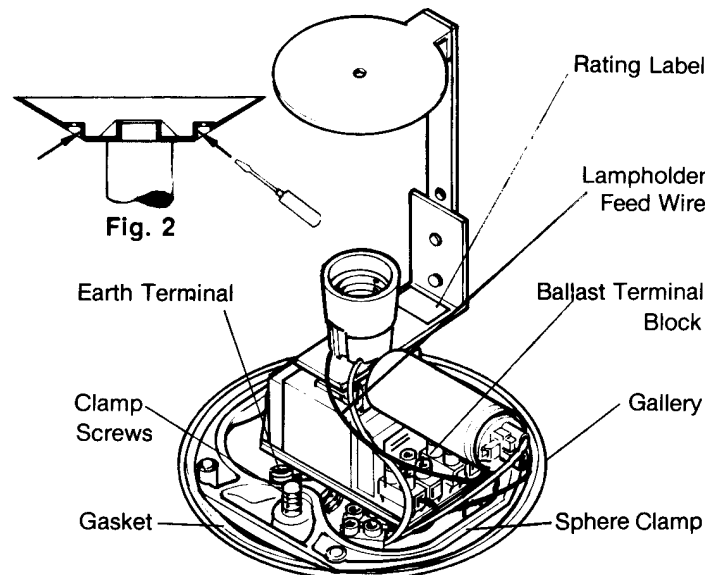
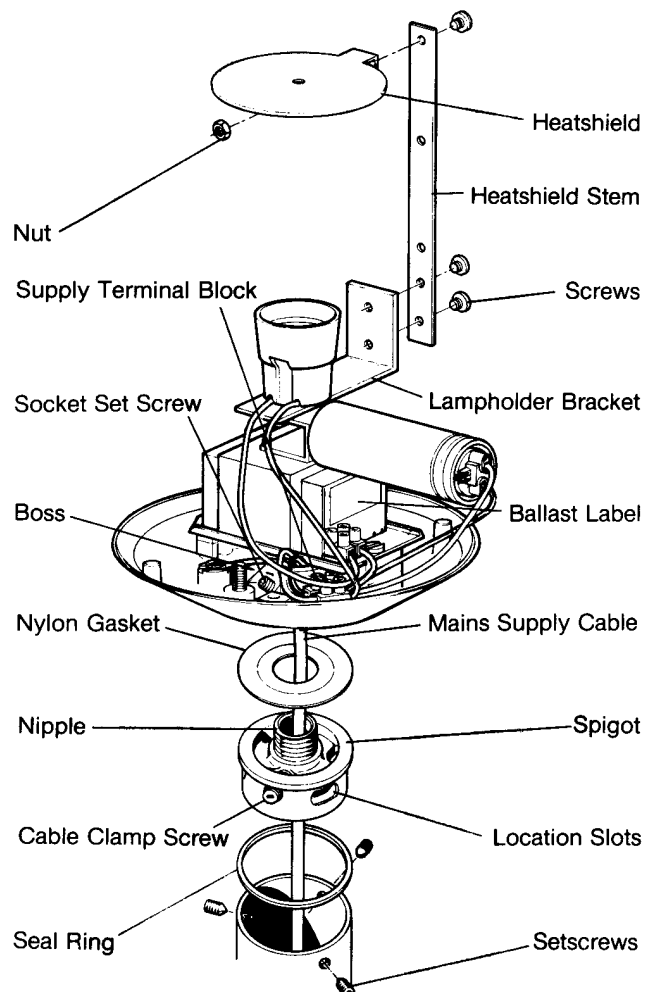


Fig. 2

8041 PM58, 8051 PM58



8041 PS72, 8051 PS72

These units are designed for exterior mounting (IP24) in conjunction with Concord:marlin group 2 poles.

TO INSTALL THESE UNITS PROCEED AS FOLLOWS.

Switch off the mains electrical supply.

Unscrew the two clamp screws in the gallery and remove the lampholder cover.

To prevent condensation within the globes or spheres, open out the breather/drain holes in the gallery using a suitable tool to remove the skin across them as shown in the inset illustrations.

Strip and discard the outer ring from the nylon gasket and place the gasket over the nipple of the spigot. Screw the spigot into the gallery, hand tight, to form a seal with the gasket. Secure the spigot by tightening the socket set screw which is located in the boss on the inside of the gallery.

Slip the seal ring onto the spigot and offer the the gallery/spigot assembly to the top of the pole. Pass the mains supply cable protruding from the pole through the spigot and into the gallery. Retain the cable by tightening the cable clamp screw situated in the side of the spigot. Engage the spigot of the gallery/spigot assembly in the pole and align its location slots with the setscrew holes in the top of the pole. To secure and seal the gallery assembly to the pole, fit and tighten the setscrews, supplied loose, in the holes in the top of the pole ensuring that they engage the location slots in the spigot.

Connect the mains supply leads, colour coded brown or red - live (L), blue or black - neutral (N) and green or green/yellow - earth (⊕), to the terminal block and earth terminal in the gallery as appropriate.

Replace the lampholder cover but leave the clamp screws sufficiently loose to allow the globe or sphere to be located under it.

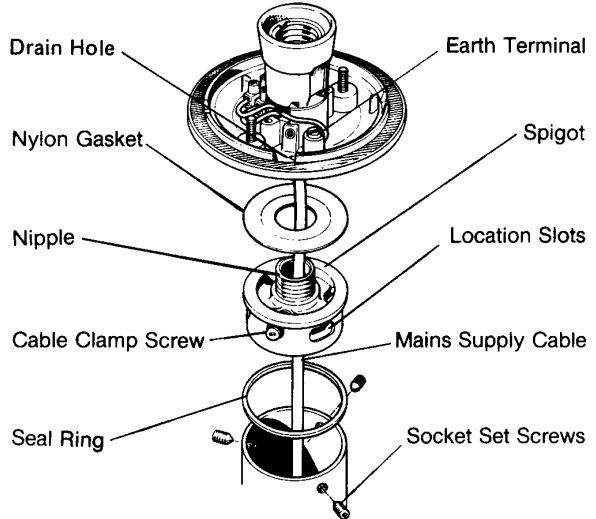
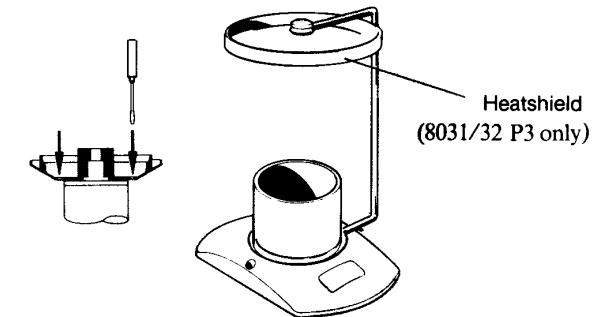
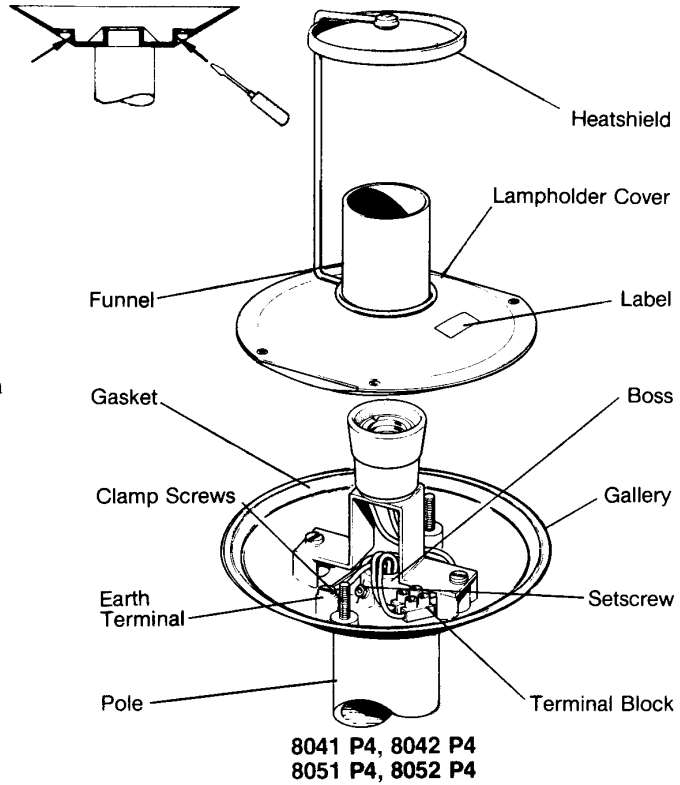
On Sphereline series luminaires (8031/32 P3 8041/42/51/52 P4), except those with which SL18 lamps are to be used, slide the heatshield onto the lampholder cover such that its ring is seated at the base of the funnel.


Fit the appropriate lamp as indicated by the label on the lampholder cover.

Pass the globe or sphere over the lampholder cover and ensure it is concentrically seated on the gasket in the gallery. Tighten the clamp screws to secure it in position.

WARNING;
DO NOT USE SPHERELINE SERIES LUMINAIRES WITHOUT THE HEATSHIELD FITTED UNLESS USING AN 18W SL LAMP.

DO NOT EXCEED THE LAMP WATTAGE, INDICATED BY THE LABEL ON THE LAMPHOLDER COVER, FOR THE APPROPRIATE GLOBE OR SPHERE.



 **Replace any cracked protective shield.**
 Dieses symbol bedeutet, dass defekte schutzgläser sofort ersetzt werden müssen.
 Ce symbol indique que vous devez remplacer tout verre de protection fêlé.
 Este simbolo indica que hay que 'reemplazar filtros en caso de rotura o desperfectos'.
 Dette symbolet indikerer at alle ødelagte (sprukne) sikkerhetglass må skiftes.
 Valaisinta ei saa käyttää ilman suojalasia vioittunut suojalasi on vaihdettava uuteen ennen valaisimen käyttöön ottoa.

Suitable for use indoors
 Geeignet für Innenanwendung
Pour un usage interne
 Adecuada para uso en interiores
Geschikt voor gebruik binnen
 Lämpilij för inomhusbruk

**1201 P3, 1202 P3, 1203 P3
 1212 P3 8031 P3, 8032 P3**



< Millimetres >