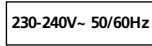
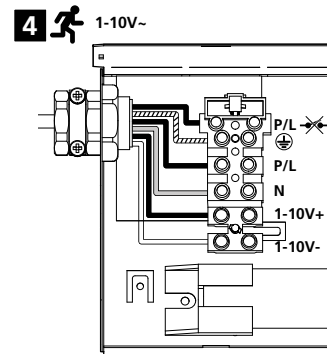
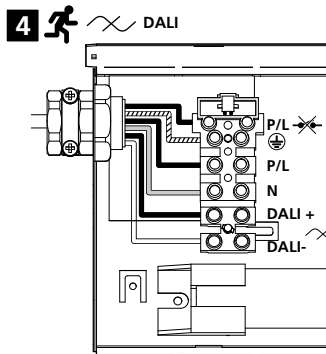
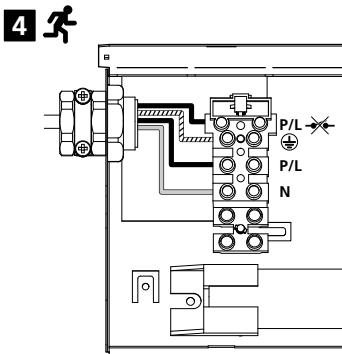
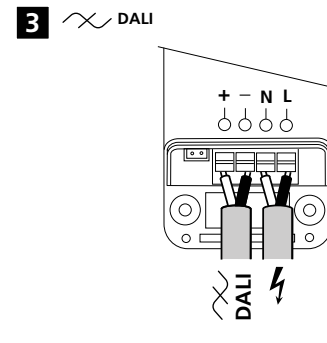
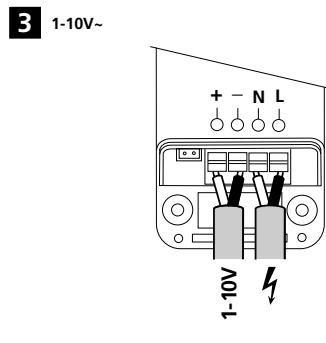
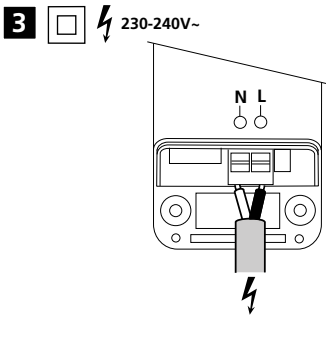
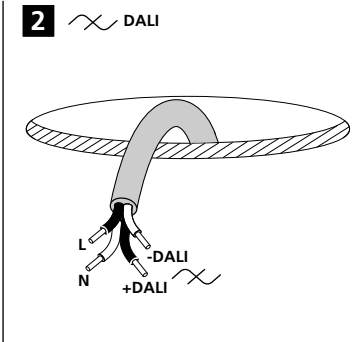
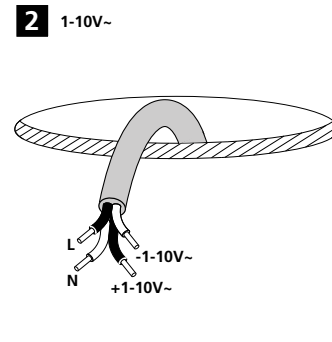
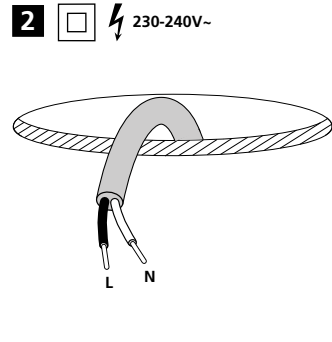
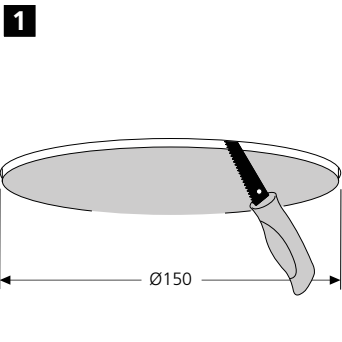
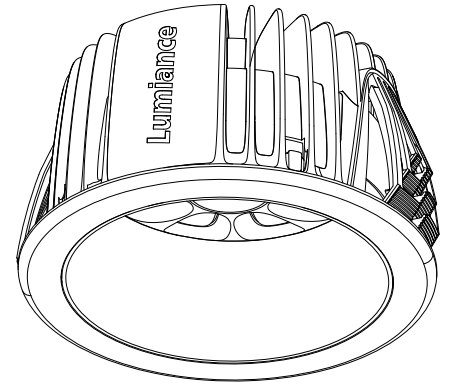
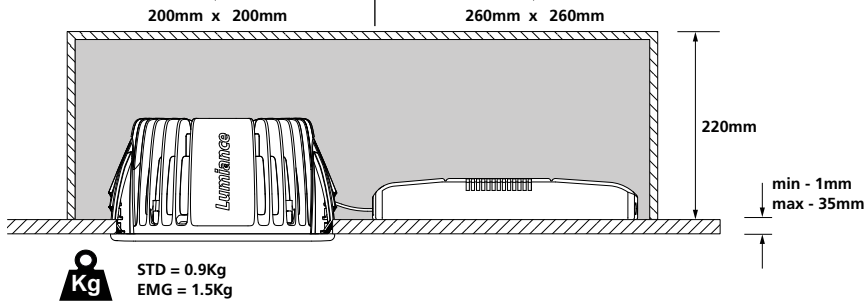


3098100 - 3098127

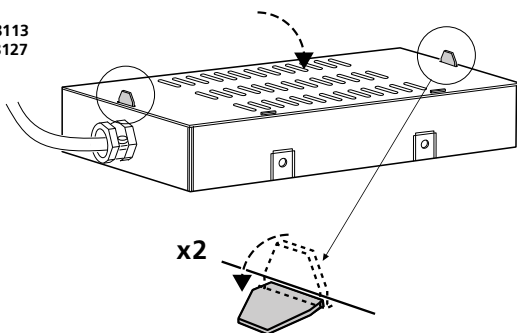


STD
 INSAVER II 150 LO - 3098100 - 3098107
 INSAVER II 150 HO - 3098114 - 3098121

EMG
 INSAVER II 150 LO E3 - 3098108 - 3098113
 INSAVER II 150 HO E3 - 3098122 - 3098127



3098108 - 3098113
 3098122 - 3098127



COMMISSIONING DATE

JAN	FEB	MAR	APR
MAY	JUN	JUL	AUG
SEP	OCT	NOV	DEC
2010	2011	2012	2013
2014	2015	2016	2017
2018	2019	2020	2021

