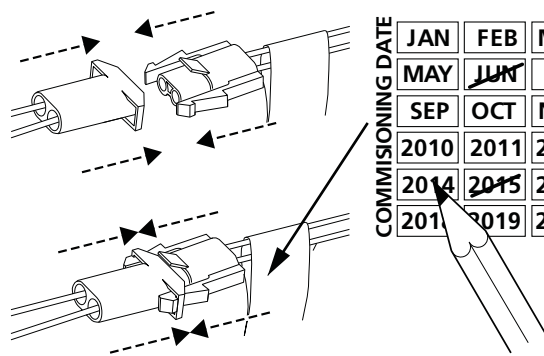
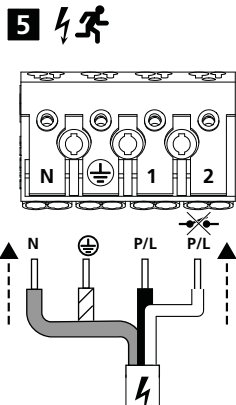
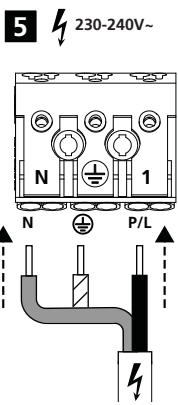
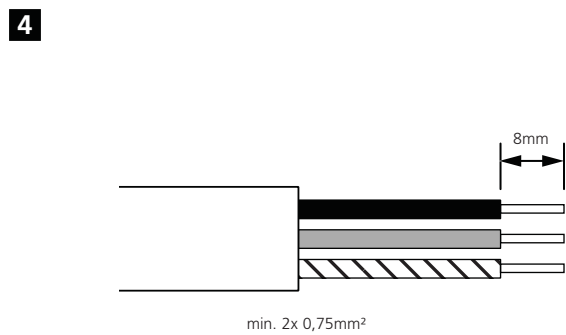
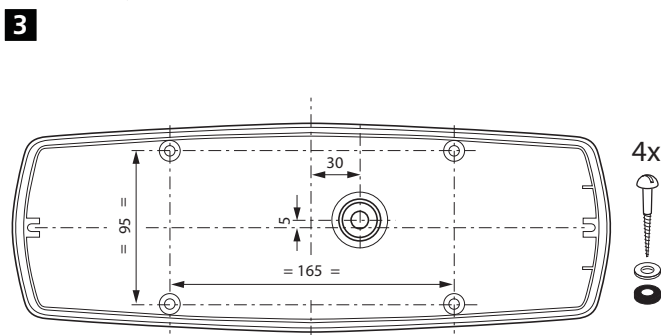
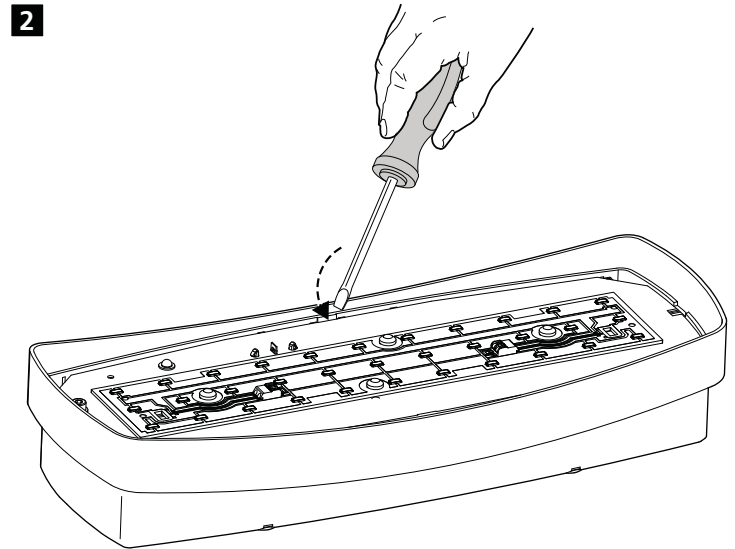
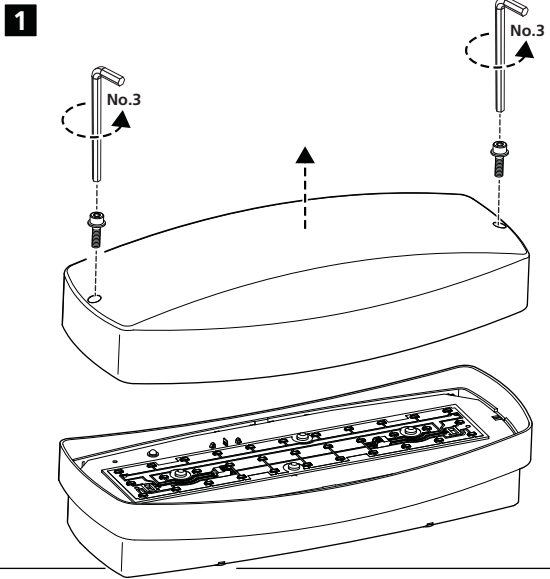


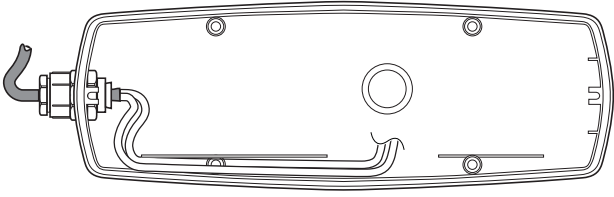
3031401, 3031402, 3031403, 3031404



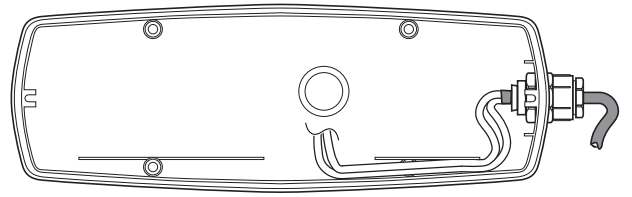
COMMISSIONING DATE

JAN	FEB	MAR	APR
MAY	JUN	JUL	AUG
SEP	OCT	NOV	DEC
2010	2011	2012	2013
2014	2015	2016	2017
2018	2019	2020	2021

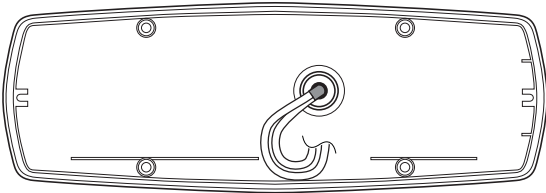
6



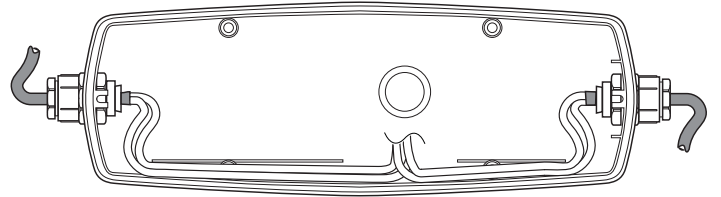
6



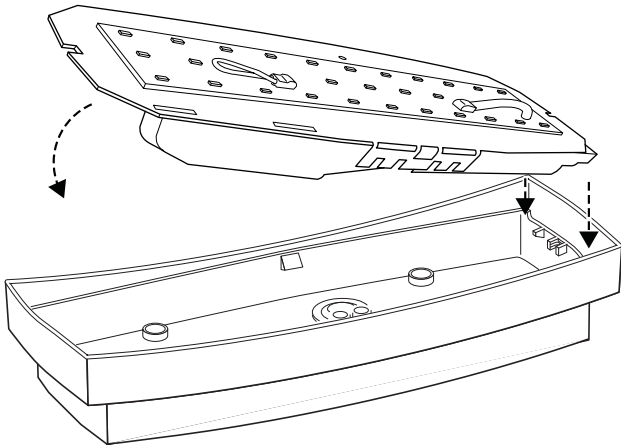
6



6



7



8

