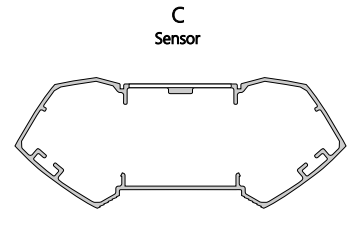
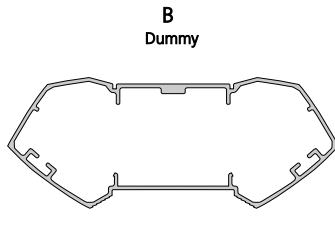
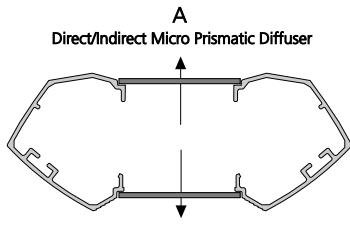


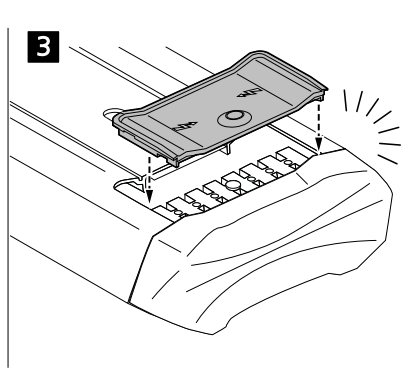
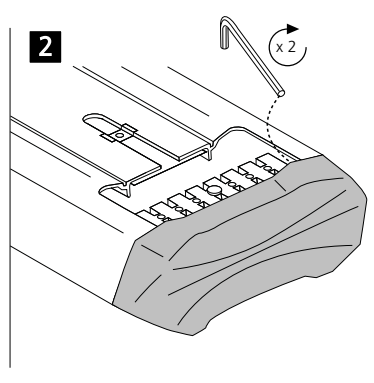
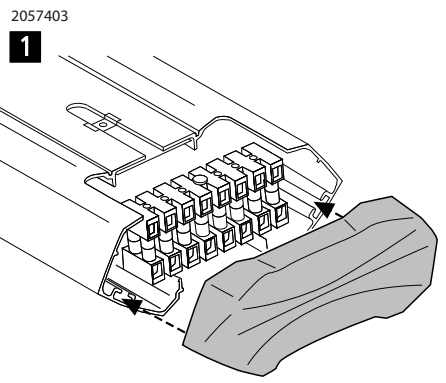
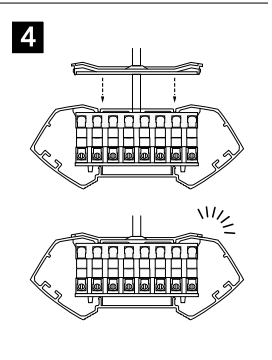
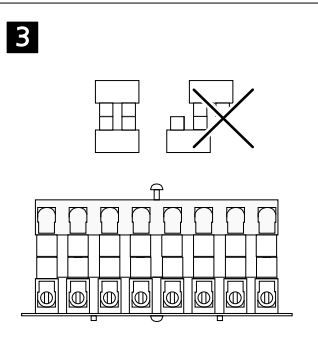
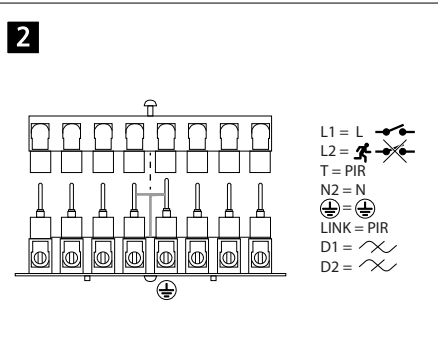
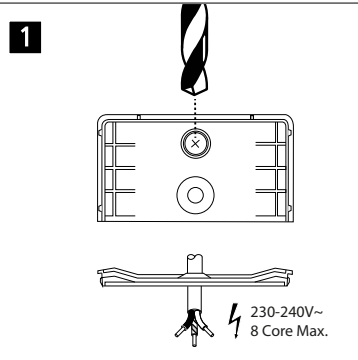
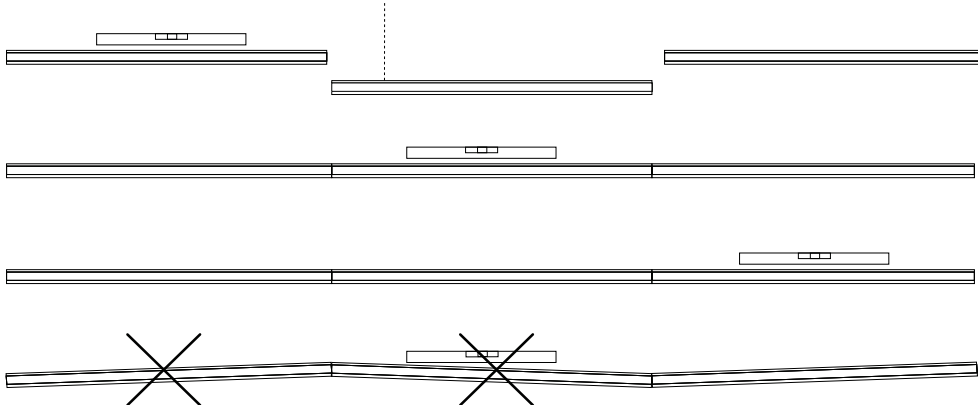
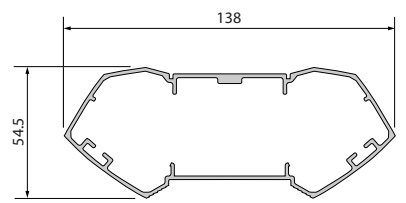
230-240V~ 50/60Hz



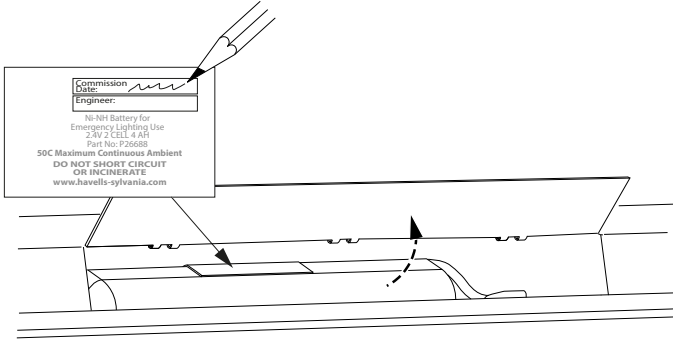
- 2059424 - 3.30kg (1.2m)
- ✂ 2059425 - 3.32kg (1.2m)
- ✂ 2059426 - 3.32kg (1.2m)
- 2059427 - 6.60kg (2.4m)
- ✂ 2059428 - 6.62kg (2.4m)
- ✂ 2059429 - 6.62kg (2.4m)
- 2093083 - 3.30kg (1.2m)
- ✂ 2093084 - 3.32kg (1.2m)
- ✂ 2093085 - 3.32kg (1.2m)
- 2093086 - 6.60kg (2.4m)
- ✂ 2093087 - 6.62kg (2.4m)
- ✂ 2093088 - 6.62kg (2.4m)

- 2057366 - 0.478kg (0.3m)
- 2057367 - 0.903kg (0.6m)
- 2057368 - 1.890kg (1.2m)

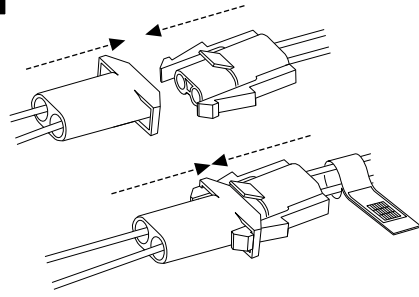
2058071 - 0.980kg (0.3m)



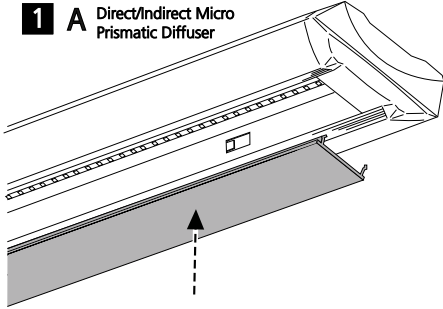
1 4



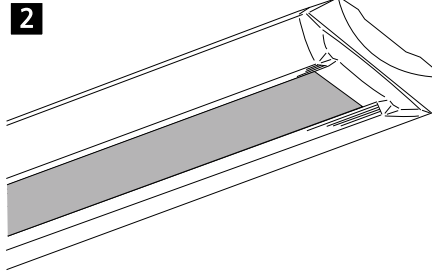
2



1 A Direct/Indirect Micro Prismatic Diffuser



2



3

