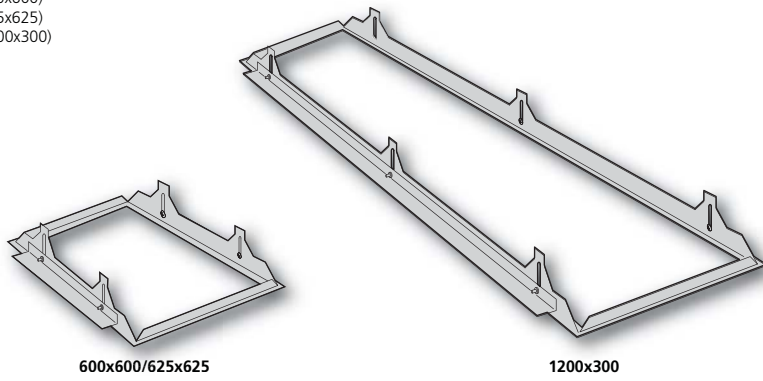
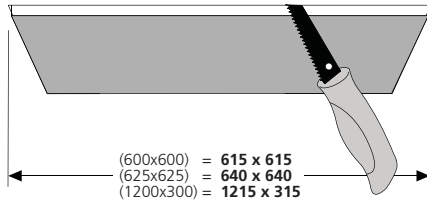


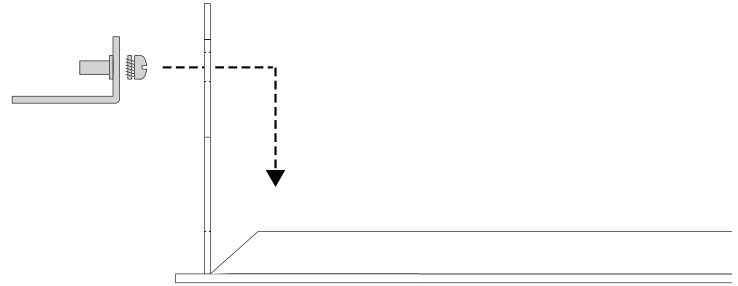
0047416 - (600x600)
 0047417 - (625x625)
 0047418 - (1200x300)



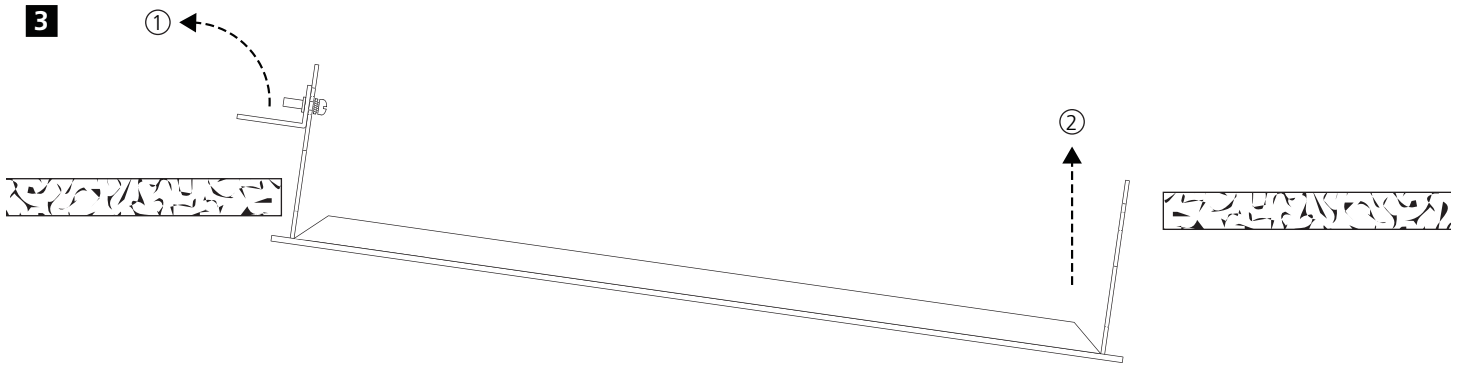
1



2



3



4

