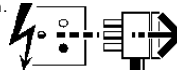


4140949 4148543 4148545 4032953 4032954  
4109539 4109544 4109545 4139305 4148542  
4148544 4148545 4156887 4161830 4161831  
4163574 4164864

**Disconnect from mains supply before replacing the fuse or the lamp.**  
Vor dem Einsetzen der Sicherung oder der Lampe Spannungsfreiheit herstellen.  
**Débrancher le secteur avant de remplacer le fusible ou l'ampoule.**  
Desconectar del suministro de la red, antes de realizar la sustitución del fusible o de la lámpara.  
**Voor het vervangen van lamp of zekering, eerst netspanning uitschakelen.**  
Koppla bort spänningen före byte av en säkring eller en lampa.



**Switch Off**  
Abschalten  
**Débrancher**  
Desconectar  
**Uitschakelen**  
Stäng av

This luminaire is suitable for interior wall or ceiling mounting to a 50.8mm flush mounted conduit box.  
The luminaire can be exterior mounted when installed in conjunction with a Conduit Box Sealing Kit.

Installation should be carried out by a suitably qualified person in accordance with good electrical practice and the appropriate national wiring regulations.

Switch off mains electrical supply before commencing installation.

**Installation Procedure**

Remove diffuser (G) from gallery (A) by twisting a coin in the slot provided.

Check that the rating marked on the luminaire label (C) conforms with mains electrical supply.

Loosen gear tray (F) from gallery.

Clear appropriate fixing holes and the cable entry holes in the gallery, noting that it is marked 'TOP' if wall mounting.

For interior mounting, offer the gallery to the conduit box, pass mains supply cable through entry hole and secure gallery to conduit box using suitable M4 screws.

For exterior mounting, follow the instructions provided with the Conduit Box Sealing Kit.

Strip outer sheathing from the supply cable and cover the leads with the silicon sleeving (B) provided. Feed leads through gear tray, locate gear tray in gallery ensuring that the gallery lugs locate in gear tray cut-outs and tighten fixing screws.

Connect supply leads in respectively marked terminals in terminal block (E).

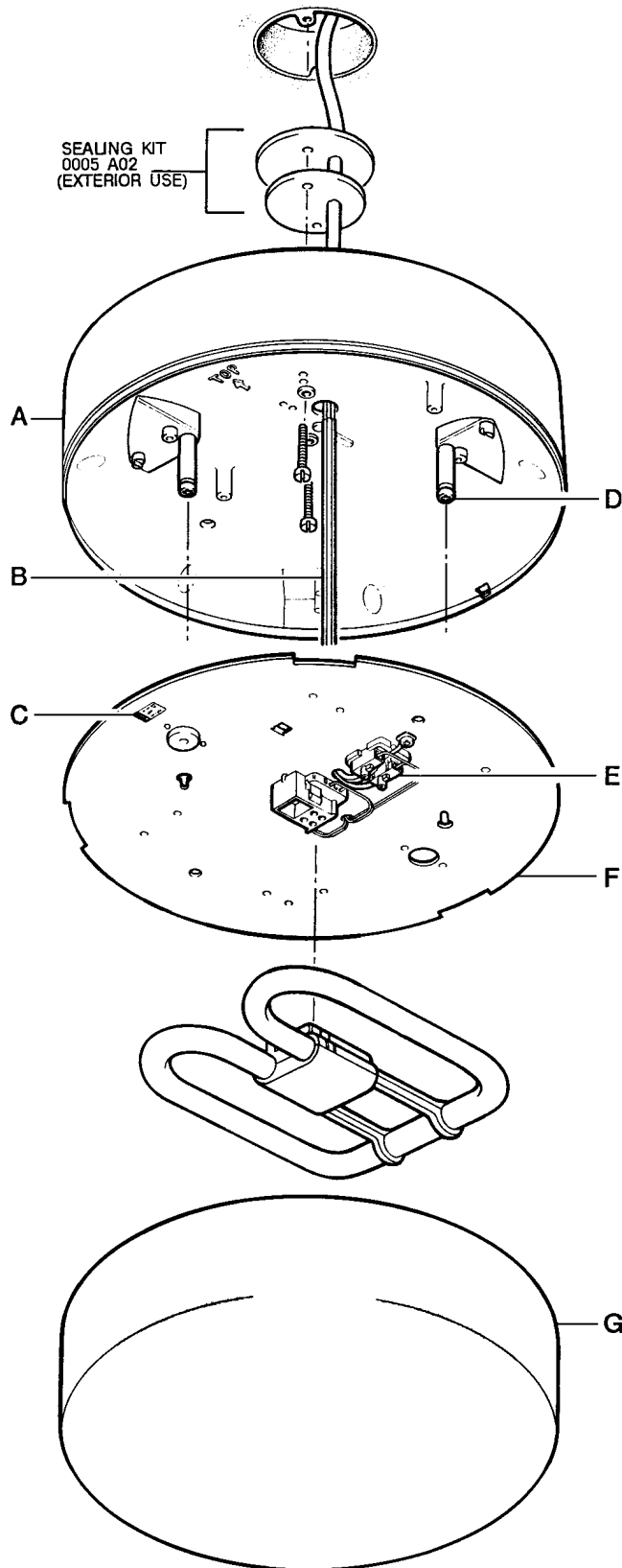
Fit appropriate lamp as indicated on luminaire label (C).

Snap diffuser on gallery.

**WARNING:** This luminaire must be earthed.

**NOTE:** This luminaire should be cleaned using warm soapy water and a soft cloth. Ensure that the luminaire is switched off during cleaning.

Dispose of lamps in accordance with manufacturer's instructions.



**Suitable for use indoors**

Geeignet für Innenanwendung  
**Pour un usage interne**  
Adecuada para uso en interiores  
**Geschikt voor gebruik binnen**  
Lämplig för inomhusbruk



**Replace any cracked protective shield.**

Dieses symbol bedeutet, dass defekte Schutzgläser sofort ersetzt werden müssen.

**Ce symbole indique que vous devez remplacer tout verre de protection fêlé.**

Este símbolo indica que hay que reemplazar filtros en caso de rotura o desperfectos.

**Dette symbolet indikerer at alle ødelagte (sprukne) sikkerhetsglass må skiftes.**

Valaisinta ei saa käyttää ilman suojalasiasa vioitunut suojalasi on vaihdettava uuteen ennen valaisimen käyttöön ottoa.

< Millimetres >



This Electrical Product  
MUST be recycled.



04.08