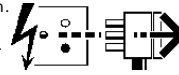


Disconnect from mains supply before replacing the fuse or the lamp.
Vor dem Einsetzen der Sicherung oder der Lampe Spannungsfreiheit herstellen.
Débrancher le secteur avant de remplacer le fusible ou l'ampoule.
Desconectar del suministro de la red, antes de realizar la sustitución del fusible o de la lámpara.
Voor het vervangen van lamp of zekering, eerst netspanning uitschakelen.
Koppla bort spänningen före byte av en säkring eller en lampa.



Switch Off
Abschalten
Débrancher
Desconectar
Uitschakelen
Stäng av

This luminaire is suitable for exterior mounting on a flush mounted conduit box with 50.8mm centres.

Installation should be carried out by a suitably qualified person in accordance with good electrical practice and the appropriate national wiring regulations.

Switch off mains electrical supply before commencing installation.

Installation Procedure

Unscrew diffuser retaining screws (H) using supplied socket key, and remove diffuser (G) from gallery (B).

Check that the rating on the luminaire label (J) conforms with mains electrical supply.

Drill out the appropriate conduit box and/or vandal resistant outrigger fixing holes (C) in gallery. To allow for alignment of gallery when mounted, the conduit box fixing holes should be 5mm diameter and elongated, and outrigger holes should be 13mm diameter.

Depending on cable entry location to be used, drill out boss in centre of gallery or push out a blanking plug (N) at either end of gallery. Push out both plugs for through wiring.

Remove mains cable outer sheathing and cover leads with supplied silicone sleeving (L).

For conduit box mounting, stick self adhesive gasket (A) to raised pad on back of gallery.

Pass sleeved leads (L) through gallery and secure gallery to conduit box using suitable M4 screws.

For vandal resistance, gallery (B) should be fixed with suitable screws through outrigger holes (C) and supplied seal washers (D) with seal face of washer facing gallery.

Surface cable or conduit installation - Pass mains cable through end hole and secure gallery as indicated above. Assemble appropriate conduit components to gallery ensuring a sealed joint is made. Secure cable leads in gallery clips (N).

Place sleeved leads through cut-out in gear tray (E). Locate gear tray in gallery, (NOTE: Gear tray can only be fitted one way) and tighten fixing screws (F).

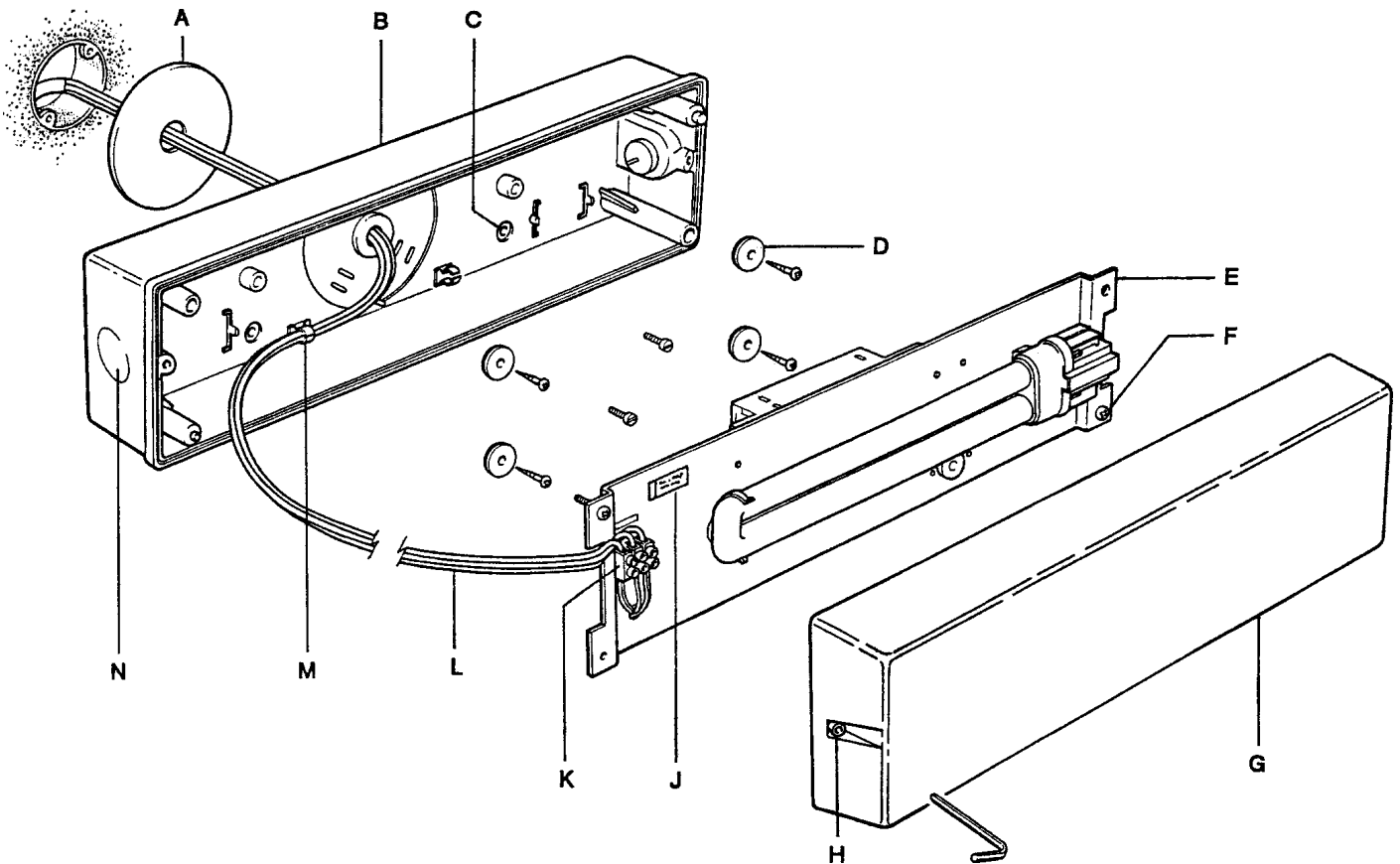
Connect supply leads to their respectively marked terminals in terminal block (K) ensuring that silicone sleeves touch terminal block.

Position diffuser (G) on gallery (B) ensuring diffuser rim engages on gallery seal and tighten retaining screws (H) with supplied socket key.

WARNING: This luminaire must be earthed.

NOTE: This luminaire should be cleaned using warm soapy water and a soft cloth. Ensure luminaire is switched off during cleaning.

Dispose of lamps in accordance with manufacturer's instructions.



Suitable for use indoors
Geeignet für Innenanwendung
Pour un usage interne
Adecuada para uso en interiores
Geschikt voor gebruik binnen
Lämplig för inomhusbruk



Replace any cracked protective shield.

Dieses symbol bedeutet, dass defekte Schutzgläser sofort ersetzt werden müssen.

Ce symbol indique que vous devez remplacer tout verre de protection fêlé.

Este simbolo indica que hay que reemplazar filtros en caso de rotura o desperfectos.



Dette symbolet indikerer at alle ødelagte (sprukne) sikkerhetglass må skiftes.

Valaisinta ei saa käyttää ilman suojalasia vioittunut suojalasi on vaihdettava uuteen ennen valaisimen käyttöön ottoa.

< Millimetres >



This Electrical Product
MUST be recycled.



04.08

Concord