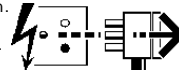


4142871 4035353 4035354 4056764 4110465  
4110467 4110468 4110472 4135598 4135652  
4140971

**Disconnect from mains supply before replacing the fuse or the lamp.**  
Vor dem Einsetzen der Sicherung oder der Lampe Spannungsfreiheit herstellen.  
**Débrancher le secteur avant de remplacer le fusible ou l'ampoule.**  
Desconectar del suministro de la red, antes de realizar la sustitución del fusible o de la lámpara.  
**Voor het vervangen van lamp of zekering, eerst netspanning uitschakelen.**  
Koppla bort spänningen före byte av en säkring eller en lampa.



**Switch Off**  
Abschalten  
**Débrancher**  
Desconectar  
**Uitschakelen**  
Stäng av

This luminaire is suitable for interior wall or ceiling mounting.

Installation should be carried out by a suitably qualified person in accordance with good electrical practice and the appropriate national wiring regulations.

Switch off mains electrical supply before commencing installation.

**Installation Procedure**

Rotate the four diffuser retaining clamp levers (A) through 90 degrees and remove diffuser (E).

Check that the rating on the luminaire label (G) conforms with mains electrical supply.

Prepare suitable fixings in mounting surface at 230mm and partially screw in suitable round headed screws.  
NOTE: Gallery (C) is marked 'TOP' for wall mounting.

Fit supplied grommets in gallery cable entry holes.

Feed mains supply leads through grommet, locate gallery mounting holes (B) over fixing screws, insert supplied slip washers (D) under screw heads, centralise gallery and tighten screws.

Cover mains supply leads with supplied silicone sleeving and connect leads to their respectively marked terminals in terminal block (F).

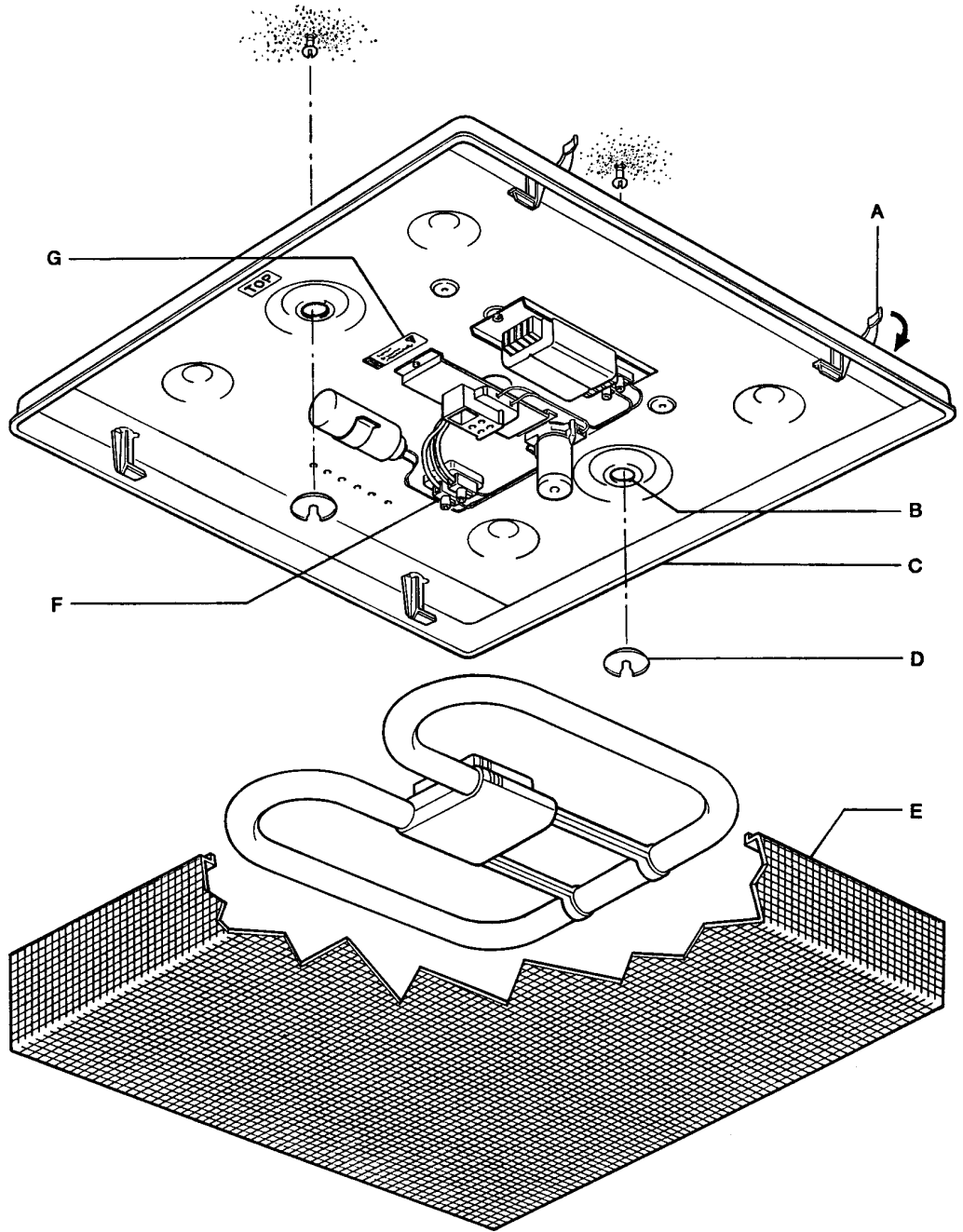
Fit appropriate lamp as indicated on luminaire label (G) by pushing it firmly in lampholder.

Locate diffuser (E) on gallery (C) and secure in position by rotating the diffuser retaining clamp levers (A) until they engage the side of the gallery.

**WARNING:** This luminaire must be earthed.

**NOTE:** This luminaire should be cleaned using warm soapy water and a soft cloth. Ensure that luminaire is switched off during cleaning.

Dispose of lamps in accordance with manufacturer's instructions.



**Suitable for use indoors**

Geeignet für Innenanwendung  
**Pour un usage interne**  
Adecuada para uso en interiores  
**Geschikt voor gebruik binnen**  
Lämplig för inomhusbruk



**Replace any cracked protective shield.**

Dieses symbol bedeutet, dass defekte Schutzgläser sofort ersetzt werden müssen.

**Ce symbole indique que vous devez remplacer tout verre de protection fêlé.**

Este símbolo indica que hay que reemplazar filtros en caso de rotura o desperfectos.

**Dette symbolet indikerer at alle ødelagte (sprukne) sikkerhetglass må skiftes.**

Valaisinta ei saa käyttää ilman suojalasiasa vioitunut suojalasi on vaihdettava uuteen ennen valaisimen käyttöön ottoa.

< Millimetres >



This Electrical Product  
MUST be recycled.



04.08