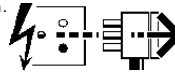


4033625
4148561

Disconnect from mains supply before replacing the fuse or the lamp.
Vor dem Einsetzen der Sicherung oder der Lampe Spannungsfreiheit herstellen.
Débrancher le secteur avant de remplacer le fusible ou l'ampoule.
Desconectar del suministro de la red, antes de realizar la sustitución del fusible o de la lámpara.
Voor het vervangen van lamp of zekering, eerst netspanning uitschakelen.
Koppla bort spänningen före byte av en säkring eller en lampa.



Switch Off
Abschalten
Débrancher
Desconectar
Uitschakelen
Stäng av

This luminaire is suitable for interior recessed ceiling mounting and requires a 250mm square aperture and a recess depth of 120mm.

Installation should be carried out by a suitably qualified person in accordance with good electrical practice and the appropriate national wiring regulations.

Switch off mains electrical supply before commencing installation.

Installation Procedure

Remove diffuser (G) by easing it from retaining clips (C) in housing (B).

Check that the rating on the luminaire label (D) conforms with mains electrical supply.

Disconnect flexible cable (H) from terminal block (J), loosen gear tray retaining screws (A) and remove gear tray (K) from housing (B).

Unscrew gantry screws (L) to allow adequate clearance between ends of gantry legs and housing flange to accommodate ceiling thickness.

Connect leads of flexible cable (H) to mains electrical supply using a suitable junction box in ceiling void.

Insert housing gantry assembly in ceiling aperture and engage gantry legs in inner ceiling surface. Tighten gantry screws (L) ensuring that housing flange touches ceiling surface.

Feed flexible cable (H) through cable entry hole (F) in gear tray, locate gear tray keyhole slots (E) over retaining screw heads (A), rotate gear tray and tighten screws.

Connect leads of flexible cable (H) to respectively marked terminals in terminal block (J).

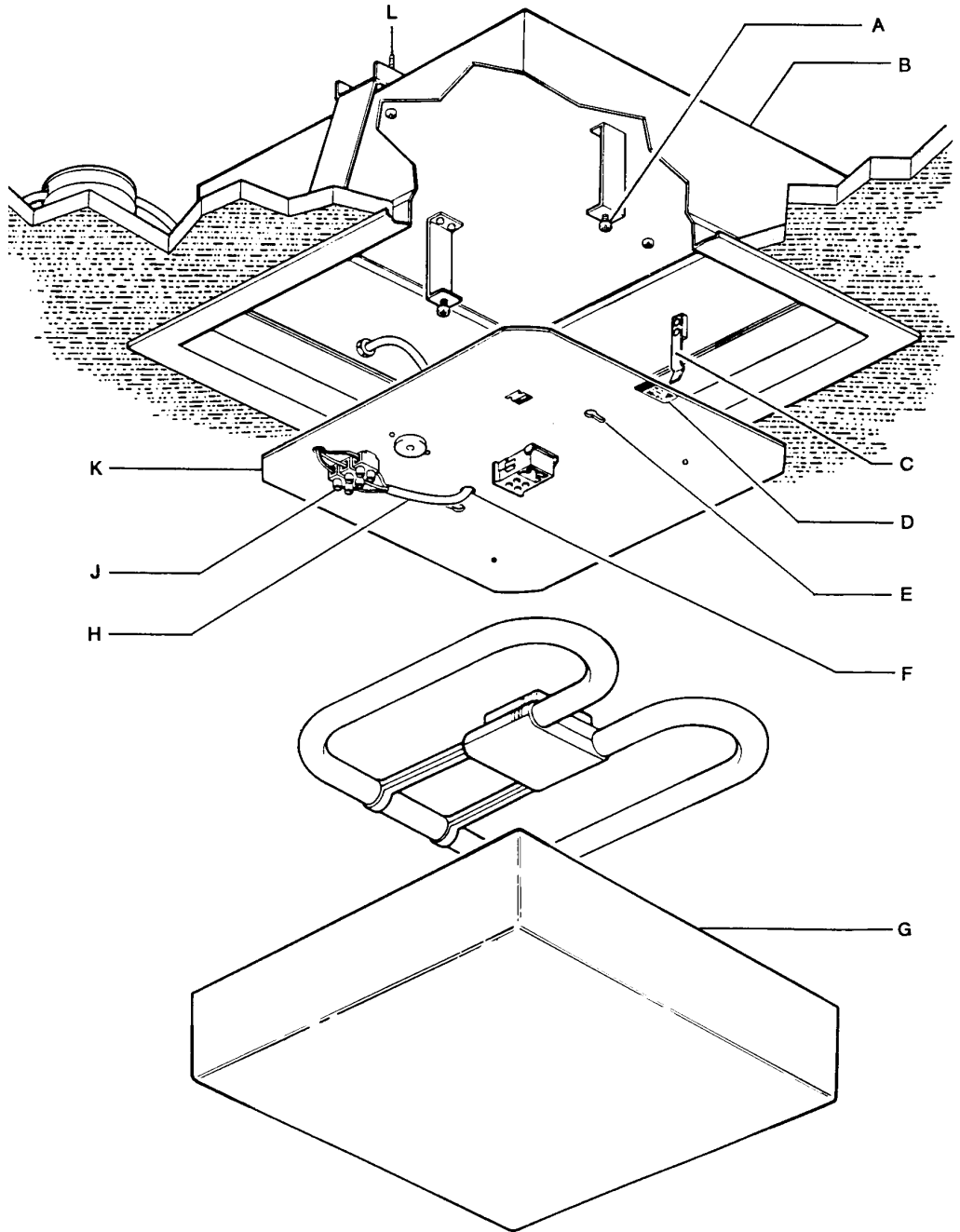
Fit appropriate lamp as indicated on luminaire label (D) by pushing it firmly into lampholder.

Fit diffuser (G) by pushing it squarely into retaining clips (C) in housing.

WARNING: This luminaire must be earthed.

NOTE: This luminaire should be cleaned using warm soapy water and a soft cloth. Ensure luminaire is switched off during cleaning.

Dispose of lamps in accordance with manufacturer's instructions.



Suitable for use indoors

Geeignet für Innenanwendung

Pour un usage interne

Adecuada para uso en interiores

Geschikt voor gebruik binnen

Lämplig för inomhusbruk



Replace any cracked protective shield.

Dieses symbol bedeutet, dass defekte Schutzgläser sofort ersetzt werden müssen.

Ce symbole indique que vous devez remplacer tout verre de protection fêlé.

Este símbolo indica que hay que reemplazar los filtros en caso de rotura o desperfectos.

Dette symbolet indikerer at alle ødelagte (sprukne) sikkerhetsglass må skiftes.

Valaisinta ei saa käyttää ilman suojalasiasa vioitunut suojalasi on vaihdettava uuteen ennen valaisimen käyttöön ottoa.

< Millimetres >



This Electrical Product
MUST be recycled.



04.08

Concord

Avis Way Newhaven East Sussex BN9 0ED
T 0870 606 2030 F 01273 512 688 email: information@concordmarlin.com

