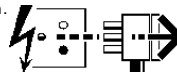


4033031  
4033032  
4137652  
4143579  
4148547

**Disconnect from mains supply before replacing the fuse or the lamp.**  
 Vor dem Einsetzen der Sicherung oder der Lampe Spannungsfreiheit herstellen.  
**Débrancher le secteur avant de remplacer le fusible ou l'ampoule.**  
 Desconectar del suministro de la red, antes de realizar la sustitución del fusible o de la lámpara.  
**Voor het vervangen van lamp of zekering, eerst netspanning uitschakelen.**  
 Koppla bort spänningen före byte av en säkring eller en lampa.



**Switch Off**  
 Abschalten  
**Débrancher**  
 Desconectar  
**Uitschakelen**  
 Stäng av

### Semi-Recessed Mounting Kit

This kit requires a recess in the mounting surface of 370mm x 125mm x 53mm deep.

Switch off the mains electrical supply before commencing installation.

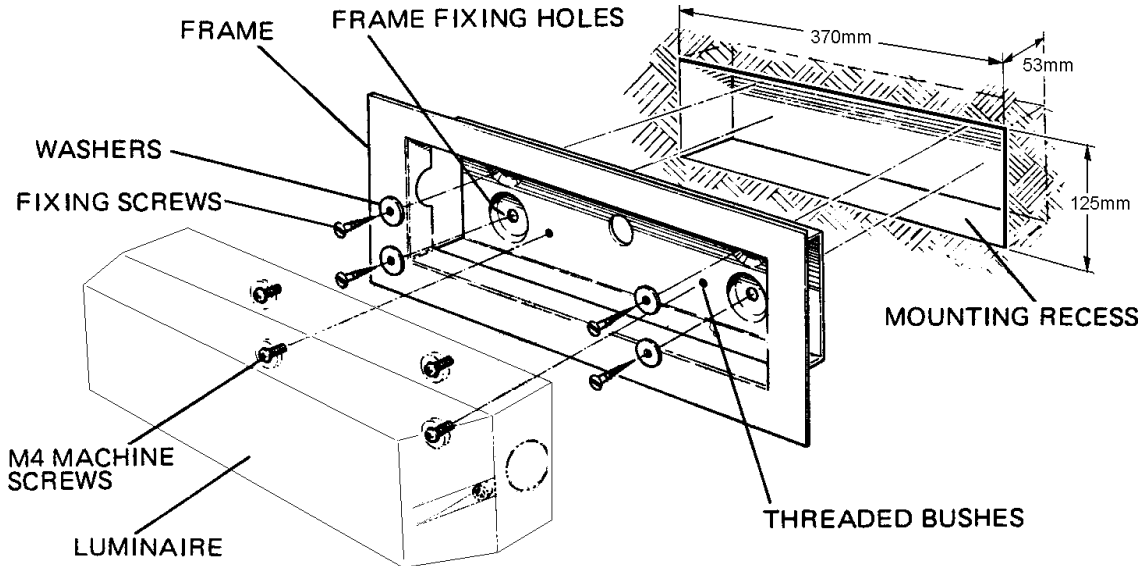
Offer the frame to the mounting recess and pass the mains supply cable through the appropriate hole.

Fix the frame in the mounting recess with suitable screws passing through the 4 holes, which are located within the indents in the rear of the frame.

NOTE: The washers, which are supplied with this kit, should be located under the screw heads,

Proceed with the installation as described in the installation instructions supplied with the luminaire.

Note however, that the luminaire is fixed to the frame by means of 4 machine screws, which are supplied with this kit. These screws with the seal washers, which are supplied with the luminaire, located under their heads pass through the outrigger fixing holes in the gallery and screw into the threaded bushes in the rear face of the frame.



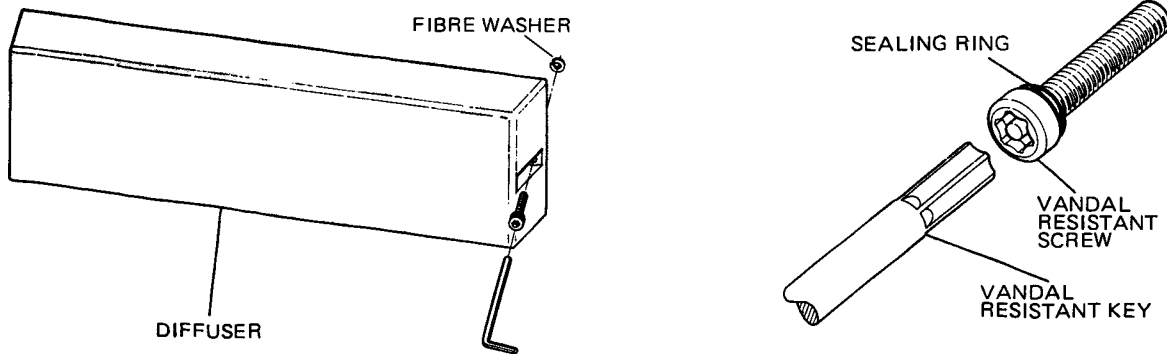
### Vandal Resistant Screw Kit

Unscrew the diffuser retaining screws, using the key provided with the luminaire, and remove the diffuser from the gallery.

Unscrew the captive retaining screws while holding the fibre washers which retain them. Discard the screws, sealing rings and fibre washers.

Push one of the sealing rings onto one of the vandal resistant screws. Pass the screw through one of the holes in the diffuser and screw it into one of the retaining washers, using the vandal resistant key supplied with this kit. Repeat the operation for the other screw.

Locate the diffuser on the gallery, ensuring that its edge engages on the seal in the rim of the gallery, and tighten the retaining screws to secure it into position.



### Suitable for use indoors

Geeignet für Innenanwendung

Pour un usage interne

Adecuada para uso en interiores

Geschikt voor gebruik binnen

Lämplig för inomhusbruk



### Replace any cracked protective shield.

Dieses symbol bedeutet, dass defekte Schutzgläser sofort ersetzt werden müssen.

**Ce symbole indique que vous devez remplacer tout verre de protection fêlé.**

Este símbolo indica que hay que reemplazar filtros en caso de rotura o desperfectos.

**Dette symbolet indikerer at alle ødelagte (sprukne) sikkerhetglass må skiftes.**

Valaisinta ei saa käyttää ilman suojalasiasa vioittunut suojalasi on vaihdettava uuteen ennen valaisimen käyttöön ottoa.

< Millimetres >



This Electrical Product  
MUST be recycled.



04.08

# Concord

Avis Way Newhaven East Sussex BN9 0ED  
 T 0870 606 2030 F 01273 512 688 email: information@concordmarlin.com



© Concord Lighting Ltd.