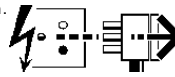


4148540
4148541

Disconnect from mains supply before replacing the fuse or the lamp.
Vor dem Einsetzen der Sicherung oder der Lampe Spannungsfreiheit herstellen.
Débrancher le secteur avant de remplacer le fusible ou l'ampoule.
Desconectar del suministro de la red, antes de realizar la sustitución del fusible o de la lámpara.
Voor het vervangen van lamp of zekering, eerst netspanning uitschakelen.
Koppla bort spänningen före byte av en säkring eller en lampa.



Switch Off
Abschalten
Débrancher
Desconectar
Uitschakelen
Stäng av

This luminaire is suitable for interior wall or ceiling installation to a flush mounted conduit nbox having 50.8mm fixing centres. This luminaire can be installed in exterior situations when installed in conjunction with a Conduit Box Sealing Kit.

Installation should be carried out by a suitably qualified person in accordance with good electrical practice and the appropriate national wiring regulations.

Switch off mains electrical supply before commencing installation.

Installation Procedure

Remove diffuser (G) from gallery (B) by twisting a coin in the provided slot (D) between diffuser and gallery.

Check that the rating marked on luminaire label conforms with mains electrical supply.

Loosen gear tray fixing screws (C) and remove gear tray (F) from gallery (B).

Clear appropriate fixing holes in gallery (B).

Pass mains supply cable through gallery cable entry hole and secure gallery to conduit box using suitable M4 screws. If exterior mounting, refer to the installation instructions supplied with Conduit Box Sealing Kit.

Cover mains supply cable leads with supplied silicone sleeving.

Pass sleeved supply leads through cable hole in gear tray (F), locate gear tray keyhole slots over heads of fixing screws (C), rotate gear tray and tighten fixing screws (C).

Connect mains supply leads to their appropriate terminals in terminal block (E) ensuring that silicone sleeves touch terminal block.

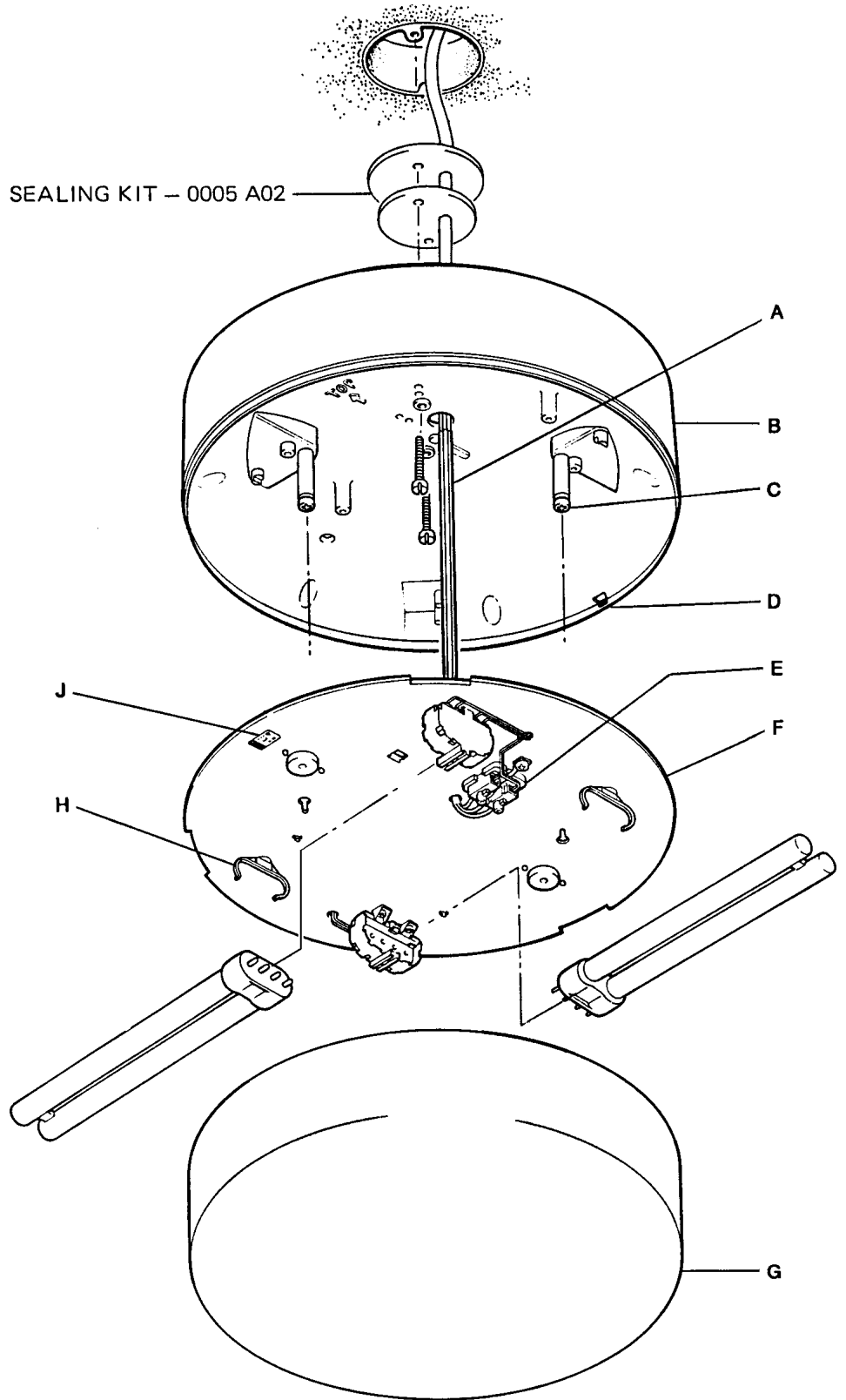
Fit appropriate lamps as indicated on label (J) by pushing them firmly in lampholders and locating their free ends in retaining clips (H).

Fit diffuser (G) by pressing it firmly and evenly onto gallery (B).

WARNING: This luminaire must be earthed.

NOTE: This luminaire should be cleaned using warm soapy water and a soft cloth. Ensure that luminaire is switched off during cleaning.

Dispose of lamps in accordance with manufacturer's instructions.



Suitable for use indoors

Geeignet für Innenanwendung
 Pour un usage interne
 Adecuada para uso en interiores
 Geschikt voor gebruik binnen
 Lämpelig för inomhusbruk



Replace any cracked protective shield.

Dieses symbol bedeutet, dass defekte Schutzgläser sofort ersetzt werden müssen.

Ce symbole indique que vous devez remplacer tout verre de protection fêlé.

Este símbolo indica que hay que 'reemplazar filtros en caso de rotura o desperfectos'.

Detta symbolet indikerer at alle ødelagte (sprukne) sikkerhetsglass må skiftes.

Valaisinta ei saa käyttää ilman suojalasia vioitunut suojalasi on vaihdettava uuteen ennen valaisimen käyttöön ottoa.

< Millimetres >



This Electrical Product
MUST be recycled.



04.08