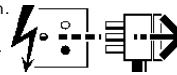


Disconnect from mains supply before replacing the fuse or the lamp.
Vor dem Einsetzen der Sicherung oder der Lampe Spannungsfreiheit herstellen.
Débrancher le secteur avant de remplacer le fusible ou l'ampoule.
Desconectar del suministro de la red, antes de realizar la sustitución del fusible o de la lámpara.
Voor het vervangen van lamp of zekering, eerst netspanning uitschakelen.
Koppla bort spänningen före byte av en säkring eller en lampa.



Switch Off
Abschalten
Débrancher
Desconectar
Uitschakelen
Stäng av

This luminaire is suitable for interior ceiling applications. It is primarily designed for fixing to a conduit box having 50.8mm fixing centres, or directly to the mounting surface and may be mounted on a combustible surface.

This luminaire should be installed by a suitably qualified person in accordance with good electrical practice and the appropriate national wiring regulations.

Switch off mains electrical supply before commencing installation.

Installation Procedure

Switch of mains electrical supply.

Check that the rating marked on the luminaire label conforms with the mains electrical supply.

Partially screw two M4 screws into the conduit box lugs.

Remove the wood surround from the gallery.

Offer the gallery to the conduit box and feed the mains supply cable through the central hole in the gallery. Locate the gallery keyhole slots over the heads of the retaining screws, rotate the gallery clockwise and tighten the screws to secure it into position. If a conduit box is not being used, the gallery can be secured to the mounting surface by using suitable screws through the outrigger fixing holes.

Connect the mains supply leads to their respectively marked terminals in terminal block.

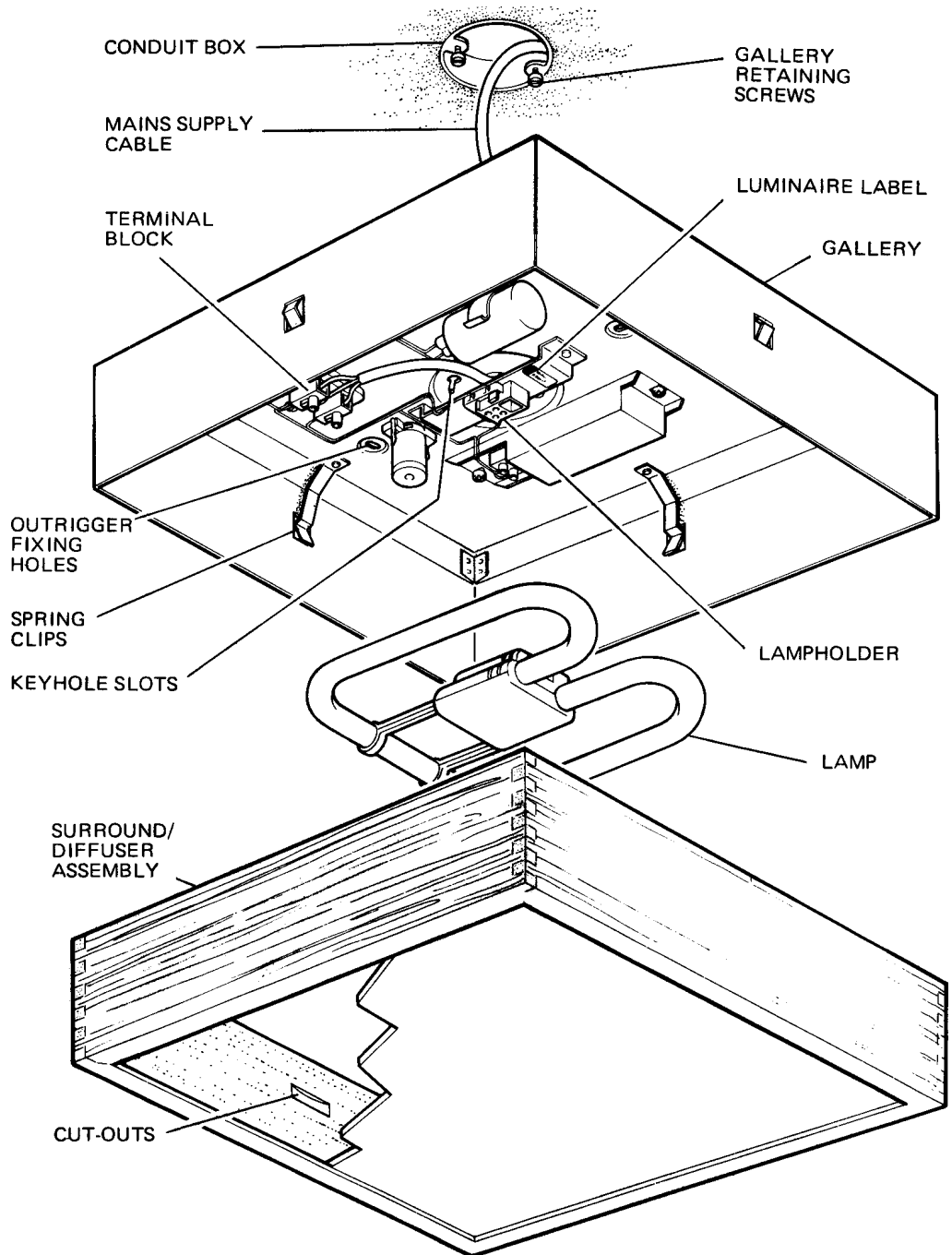
Fit the appropriate lamps as indicated on the luminaire label, by pushing them firmly into the lampholders.

Place the diffuser into the surround, and fit the surround/diffuser assembly onto gallery, ensuring that the four spring clips in the gallery are located in the cut-outs.

WARNING: This luminaire must be earthed.

NOTE: This luminaire should be cleaned using warm soapy water and a soft cloth. Ensure that the luminaire is switched off during cleaning.

Dispose of lamps in accordance with manufacturer's instructions.



Suitable for use indoors

Geeignet für Innenanwendung
 Pour un usage interne
 Adecuada para uso en interiores
 Geschikt voor gebruik binnen
 Lämplig för inomhusbruk



Replace any cracked protective shield.

Dieses symbol bedeutet, dass defekte Schutzgläser sofort ersetzt werden müssen.

Ce symbole indique que vous devez remplacer tout verre de protection fêlé.

Este símbolo indica que hay que reemplazar filtros en caso de rotura o desperfectos.

Dette symbolet indikerer at alle ødelagte (sprukne) sikkerhetglass må skiftes.

Valaisinta ei saa käyttää ilman suojalasiasa vioitunut suojalasi on vaihdettava uuteen ennen valaisimen käyttöön ottoa.

< Millimetres >



This Electrical Product
MUST be recycled.



04.08