

Rectangular Fluorescent Trimline

Installation Instructions
IS500

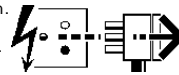


This Product
MUST be EARTHED

IS2281

1042 P136

Disconnect from mains supply before replacing the fuse or the lamp.
 Vor dem Einsetzen der Sicherung oder der Lampe Spannungsfreiheit herstellen.
Débrancher le secteur avant de remplacer le fusible ou l'ampoule.
 Desconectar del suministro de la red, antes de realizar la sustitución del fusible o de la lámpara.
Voor het vervangen van lamp of zekering, eerst netspanning uitschakelen.
 Koppla bort spänningen före byte av en säkring eller en lampa.



Switch Off
 Abschalten
Débrancher
 Desconectar
Uitschakelen
 Stäng av

This luminaire has been designed for fixing to a interior flush mounted conduit box having 50.8mm fixing centres. It is also suitable for exterior use when installed in conjunction with a Conduit Box Sealing Kit.

This luminaire should be installed by a suitably qualified person in accordance with good electrical practice and the appropriate national wiring regulations.

Switch off mains electrical supply before commencing installation.

Installation Procedure

Switch off mains electrical supply.

Remove the diffuser by twisting a coin in the slot provided between the gallery and diffuser.

Check that the rating marked on the luminaire label conforms with the mains electrical supply.

Remove the gear tray from the gallery by unscrewing the two retaining screws.

Clear the appropriate holes and cable entry hole in the gallery.

For interior situations offer the gallery to the conduit box and connect the flying leads to their respective mains supply leads using a suitable terminal block. Fix the gallery to the conduit box using suitable M4 screws.

For exterior situations see the installation instructions supplied with the Conduit Box Sealing Kit.

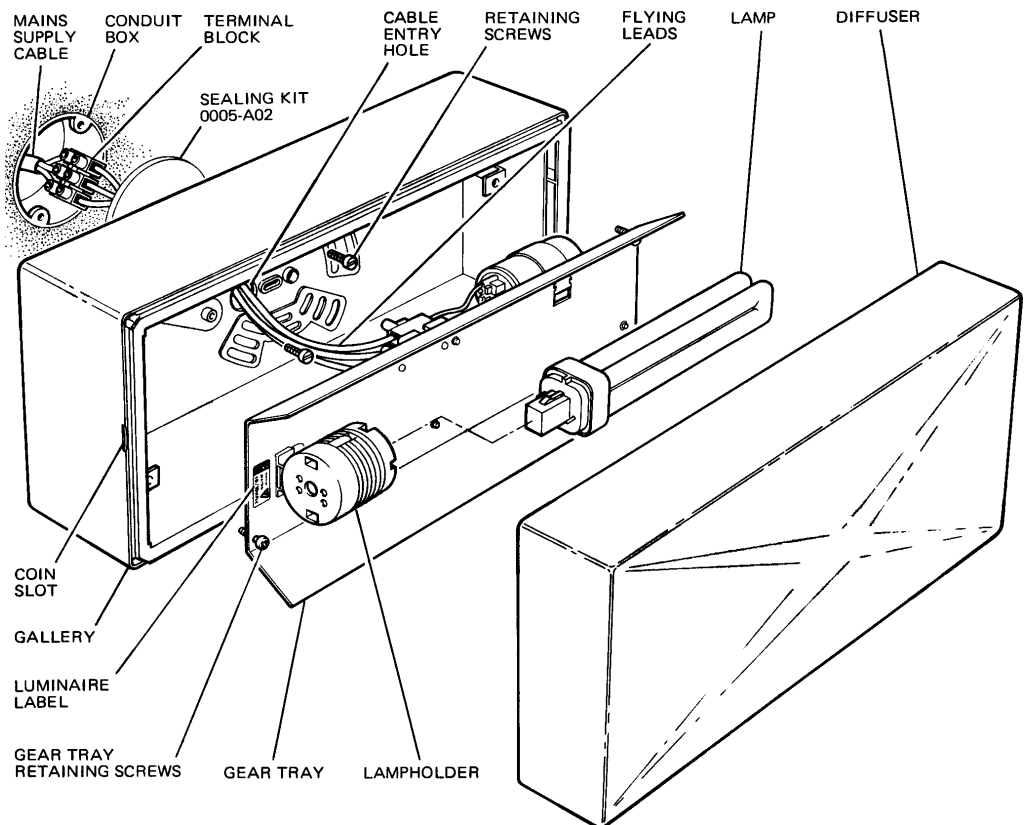
Secure the gear tray to the gallery and fit the appropriate lamp as indicated on the luminaire label, by pushing it firmly into lampholder.

Re-fit the diffuser by pushing it firmly onto gallery.

WARNING: This luminaire must be earthed.

NOTE: This luminaire should be cleaned using warm soapy water and a soft cloth. Ensure that the luminaire is switched off during cleaning.

Dispose of lamps in accordance with manufacturer's instructions.



Suitable for use indoors

Geeignet für Innenanwendung
Pour un usage interne
 Adecuada para uso en interiores
Geschikt voor gebruik binnen
 Lämplig för inomhusbruk



Replace any cracked protective shield.

Dieses symbol bedeutet, dass defekte Schutzgläser sofort ersetzt werden müssen.

Ce symbole indique que vous devez remplacer tout verre de protection fêlé.

Este símbolo indica que hay que reemplazar los filtros en caso de rotura o desperfectos.

Dette symbolet indikerer at alle ødelagte (sprukne) sikkerhetglass må skiftes.

Valaisinta ei saa käyttää ilman suojalasias vioittunut suojalasi on vaihdettava uuteen ennen valaisimen käyttöön ottoa.

< Millimetres >



This Electrical Product
MUST be recycled.



04.08

Concord

Avis Way Newhaven East Sussex BN9 0ED
 T 0870 606 2030 F 01273 512 688 email: information@concordmarlin.com



© Concord Lighting Ltd.