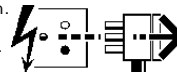


Disconnect from mains supply before replacing the fuse or the lamp.
 Vor dem Einsetzen der Sicherung oder der Lampe Spannungsfreiheit herstellen.
Débrancher le secteur avant de remplacer le fusible ou l'ampoule.
 Desconectar del suministro de la red, antes de realizar la sustitución del fusible o de la lámpara.
Voor het vervangen van lamp of zekering, eerst netspanning uitschakelen.
 Koppla bort spänningen före byte av en säkring eller en lampa.



Switch Off
 Abschalten
Débrancher
 Desconectar
Uitschakelen
 Stäng av

This luminaire is suitable for interior wall or ceiling mounting to a flush mounted conduit box having 50.8mm fixing centres. This luminaire can be exterior mounted when used in conjunction with conduit box sealing kit.

Installation should be carried out by a suitably qualified person in accordance with good electrical practice and the appropriate national wiring regulations.

Switch off mains electrical supply before commencing installation.

Installation Procedure

Remove diffuser (J) from gallery (B) by twisting a coin in the slot (A) between diffuser and gallery.

Check the rating marked on the luminaire label conforms with the mains electrical supply.

Loosen gear tray retaining screws (C) and remove gear tray (D).

Clear appropriate fixing holes and cable entry holes in gallery (B).
 NOTE: If wall mounting, install gallery (B) in position as shown in illustration.

Feed mains supply cable through cable entry hole in gallery, and secure gallery (B) to conduit box using suitable M4 screws. For exterior installations refer to installation instructions supplied with conduit box sealing kit.

Pass mains supply cable through cable entry hole (H) in gear tray (D). Locate gear tray keyhole slots (E) over conduit box screw heads, rotate gear tray and tighten retaining screws (C).

Connect mains supply cable leads in respectively marked terminals in terminal block (G).

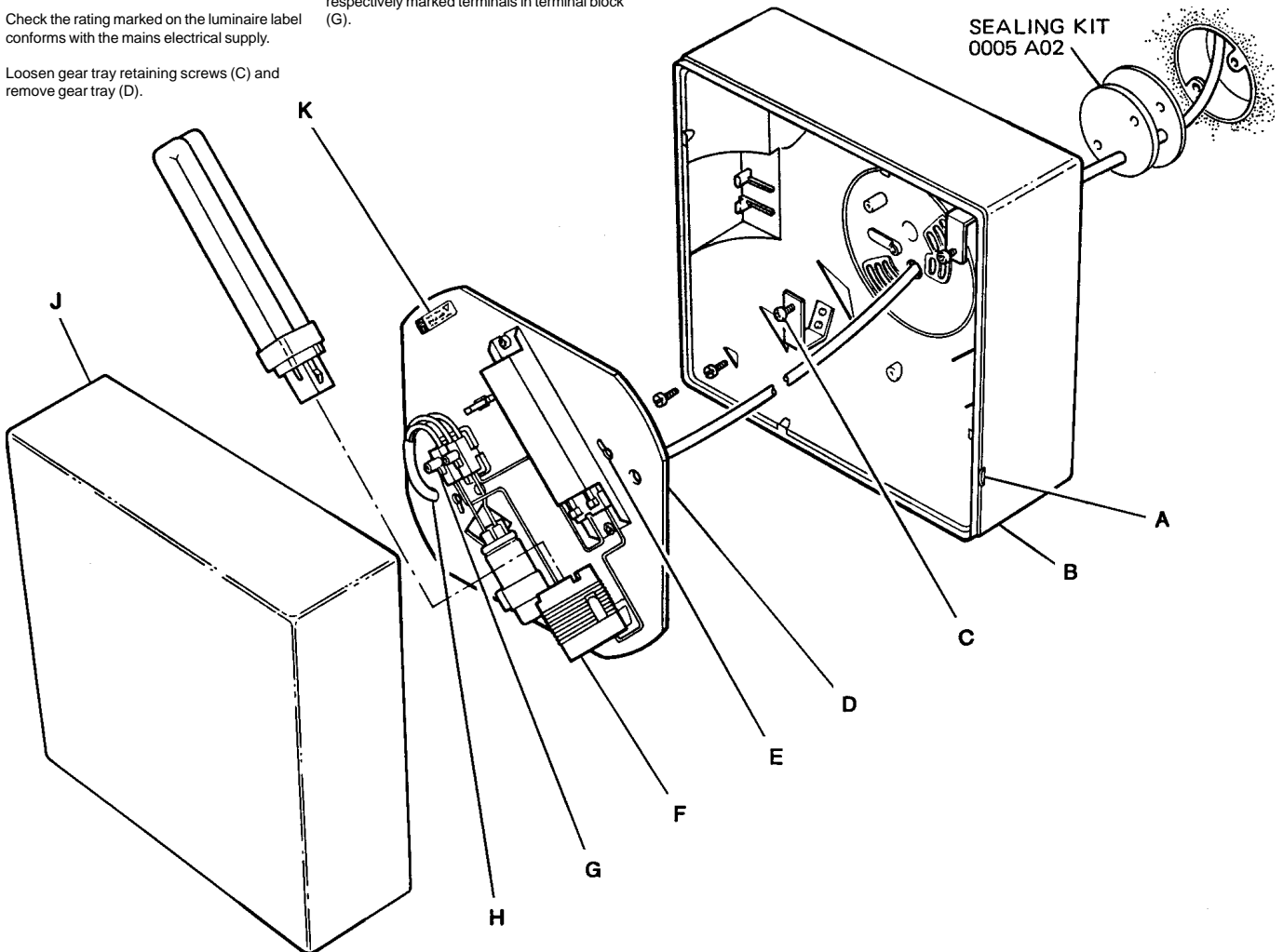
Fit appropriate lamp as indicated on luminaire label (K) by pushing it firmly into lampholder (F).

Fit diffuser (J) by pressing it firmly on gallery (B).

WARNING: This luminaire must be earthed.

NOTE: This luminaire should be cleaned using warm soapy water and a soft cloth. Ensure luminaire is switched off during cleaning.

Dispose of lamps in accordance with manufacturer's instructions.



Suitable for use indoors

Geeignet für Innenanwendung

Pour un usage interne

Adecuada para uso en interiores

Geschikt voor gebruik binnen

Lämplig för inomhusbruk



Replace any cracked protective shield.

Dieses symbol bedeutet, dass defekte Schutzgläser sofort ersetzt werden müssen.

Ce symbole indique que vous devez remplacer tout verre de protection fêlé.

Este símbolo indica que hay que 'reemplazar filtros en caso de rotura o desperfectos'.

Dette symbolet indikerer at alle ødelagte (sprukne) sikkerhetsglass må skiftes.

Valaisinta ei saa käyttää ilman suojalasia vioitunut suojalasi on vaihdettava uuteen ennen valaisimen käyttöön ottoa.

< Millimetres >



This Electrical Product
MUST be recycled.



04.08

Concord

Avis Way Newhaven East Sussex BN9 0ED
 T 0870 606 2030 F 01273 512 688 email: information@concordmarlin.com

