

Recessed Square Downlighter

Installation Instructions
IS500

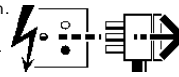


This Product
MUST be EARTHED

IS2501

9011 P series

Disconnect from mains supply before replacing the fuse or the lamp.
Vor dem Einsetzen der Sicherung oder der Lampe Spannungsfreiheit herstellen.
Débrancher le secteur avant de remplacer le fusible ou l'ampoule.
Desconectar del suministro de la red, antes de realizar la sustitución del fusible o de la lámpara.
Voor het vervangen van lamp of zekering, eerst netspanning uitschakelen.
Koppla bort spänningen före byte av en säkring eller en lampa.



Switch Off
Abschalten
Débrancher
Desconectar
Uitschakelen
Stäng av

This luminaire has been designed for recessed ceiling mounting in interior situations. It is suitable for mounting in combustible surfaces and recesses.

This luminaire requires a 255mm square aperture and a recess depth of 100mm.

This luminaire should be installed by a suitable qualified person in accordance with good electrical practice and the appropriate national wiring regulations.

Installation Procedure

Switch off mains electrical supply.

Remove the bezel from the gallery.

Check that the rating marked on the luminaire label conforms with the mains electrical supply.

Extract the four mounting clips from the gallery as shown in Fig. 1.

Offer the gallery to the prepared ceiling aperture and connect the flexible cable to the mains electrical supply using a remote junction box in the ceiling void.

Insert the gallery into the ceiling aperture and secure it in position with the four retaining clips as shown in Fig. 2.

NOTE: Two clip positions are provided, the lower position is for ceiling thickness from 5-15mm and the upper position for ceiling thickness from 15-25mm.

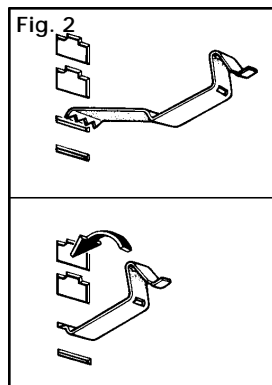
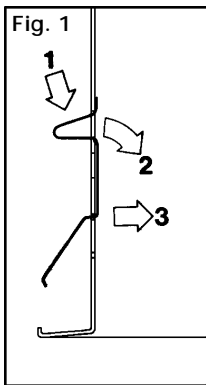
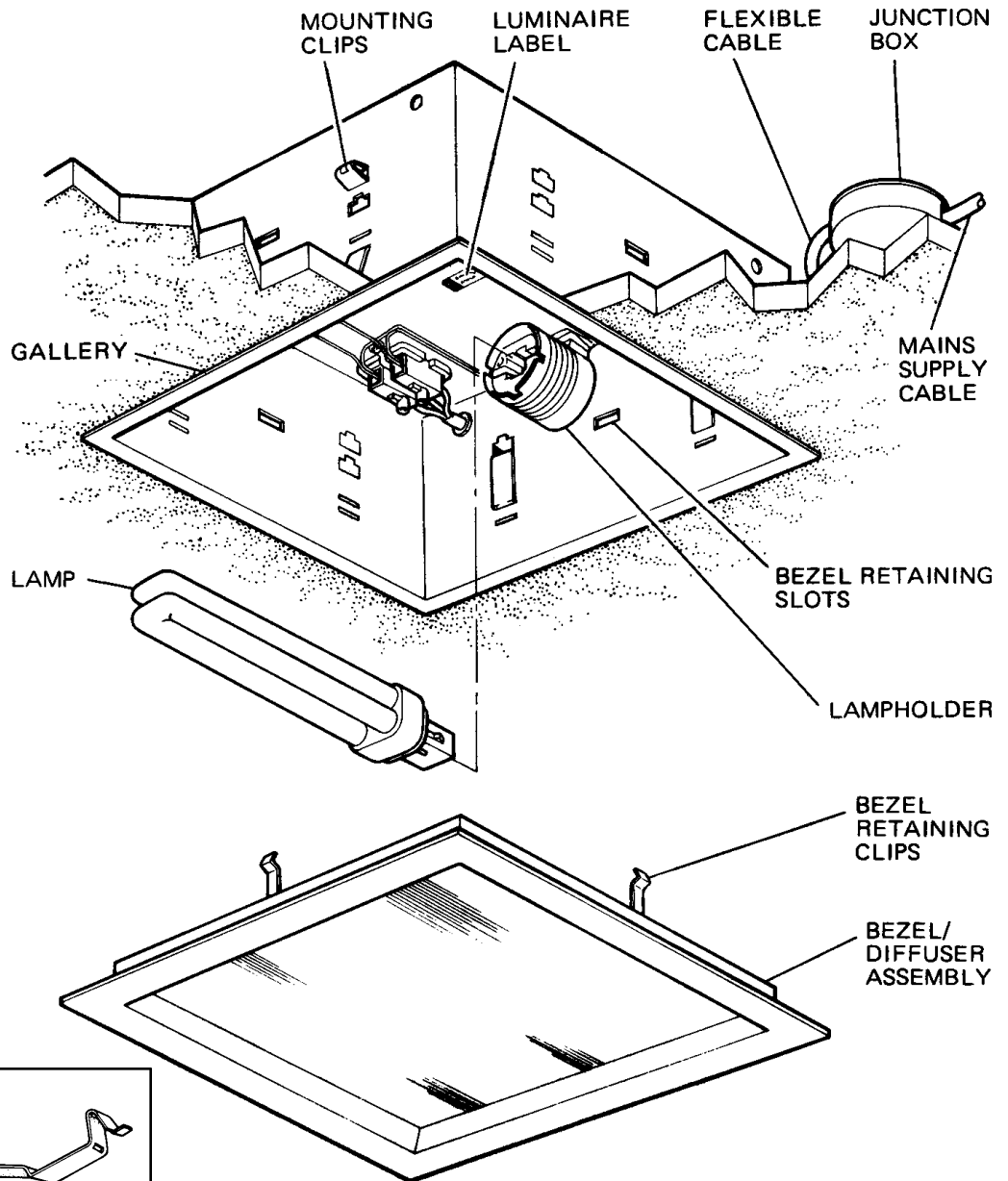
Fit the appropriate lamp as indicated on the luminaire label, by pushing it firmly into the lampholder.

Place the diffuser into the bezel, and fit the bezel/diffuser assembly into the gallery, ensuring that the four bezel spring clips are located into the retaining slots in the gallery.

WARNING: This luminaire must be earthed.

NOTE: This luminaire should be cleaned using warm soapy water and a soft cloth. Ensure that the luminaire is switched off during cleaning.

Dispose of lamps in accordance with manufacturer's instructions.



Suitable for use indoors

Geeignet für Innenanwendung

Pour un usage interne

Adecuada para uso en interiores

Geschikt voor gebruik binnen

Lämplig för inomhusbruk



Replace any cracked protective shield.

Dieses symbol bedeutet, dass defekte Schutzgläser sofort ersetzt werden müssen.

Ce symbol indique que vous devez remplacer tout verre de protection fêlé.

Este símbolo indica que hay que reemplazar filtros en caso de rotura o desperfectos.

Dette symbolet indikerer at alle ødelagte (sprukne) sikkerhetglass må skiftes.

Valaisintä ei saa käyttää ilman suojalasia vioitunut suojalasi on vaihdettava uuteen ennen valaisimen käyttöön ottoa.

< Millimetres >



This Electrical Product
MUST be recycled.



04.08

Concord

Avis Way Newhaven East Sussex BN9 0ED
 T 0870 606 2030 F 01273 512 688 email: information@concordmarlin.com

