

Lightline Wall Junction / Junction Extender

Installation Instructions
 IS500

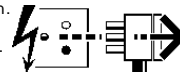


This Product
MUST be EARTHED

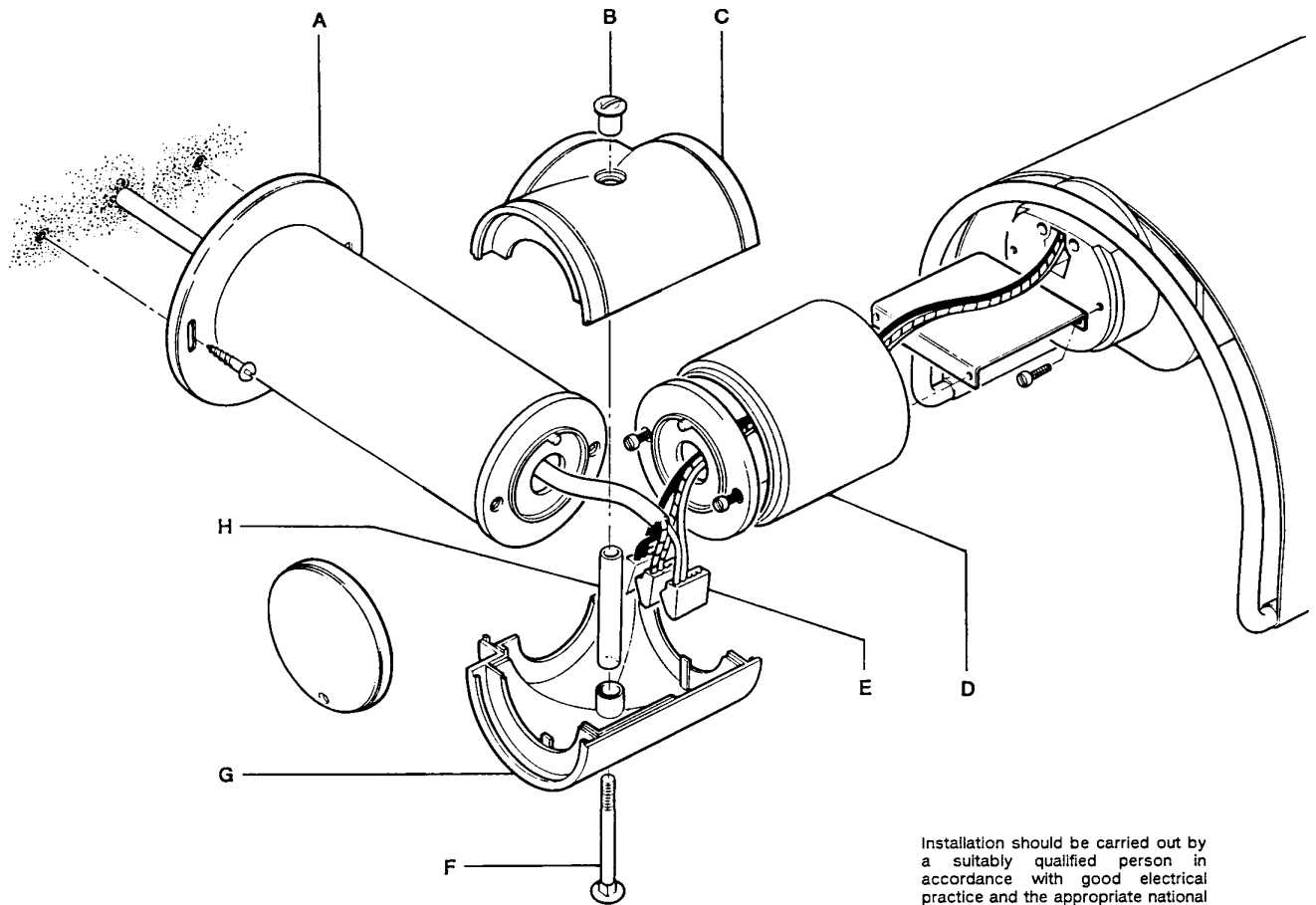
IS2591

005 F4WT
 005 F4WL
 005 FN4P

Disconnect from mains supply before replacing the fuse or the lamp.
 Vor dem Einsetzen der Sicherung oder der Lampe Spannungsfreiheit herstellen.
Débrancher le secteur avant de remplacer le fusible ou l'ampoule.
 Desconectar del suministro de la red, antes de realizar la sustitución del fusible o de la lámpara.
Voor het vervangen van lamp of zekering, eerst netspanning uitschakelen.
 Koppla bort spänningen före byte av en säkring eller en lampa.



Switch Off
 Abschalten
Débrancher
 Desconectar
Uitschakelen
 Stäng av



Installation should be carried out by a suitably qualified person in accordance with good electrical practice and the appropriate national wiring regulations.

Switch off mains electrical supply before commencing installation.

INSTALLATION PROCEDURE

Prepare suitable fixings in mounting surface at 94mm centres for wall connector (A).

Feed mains supply cable (if applicable) through wall connector (A) and secure to mounting surface using suitable round headed screws.

Connect module leads and mains supply leads with supplied connectors (E).

Assemble mouldings (C) and (G), sleeve (H) and junction extender (D) if applicable to wall connector (A) using securing bolt (F) and securing bush (B).

Illustration shows 005 F4WT, assembly procedure is the same for 005 F4WL.



Replace any cracked protective shield.

Dieses symbol bedeutet, dass defekte Schutzgläser sofort ersetzt werden müssen.

Ce symbol indique que vous devez remplacer tout verre de protection fêlé.

Este simbolo indica que hay que reemplazar filtros en caso de rotura o desperfectos.

Dette symbolet indikerer at alle ødelagte (sprukne) sikkerhetglass må skiftes.

Valaisinta el saa käyttää ilman suojalasia vioitunut suojalasi on vaihdettava uuteen ennen valaisimen käyttöön ottoa.

Suitable for use indoors
 Geeignet für Innenanwendung
Pour un usage interne
 Adecuada para uso en interiores
Geschikt voor gebruik binnen
 Lämpig för inomhusbruk



This Electrical Product
MUST be recycled.



< Millimetres >

Concord:marlin

Avis Way Newhaven East Sussex BN9 0ED
 T 0870 606 2030 F 01273 512 688 email: information@concordmarlin.com



© Concord Lighting Ltd.