

# 3F Surface Fluorescent

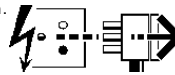
FCD / FDK 236, 336, 418, 436, 258 types



This Product MUST be EARTHED

## IS2681

**Disconnect from mains supply before replacing the fuse or the lamp.**  
 Vor dem Einsetzen der Sicherung oder der Lampe Spannungsfreiheit herstellen.  
**Débrancher le secteur avant de remplacer le fusible ou l'ampoule.**  
 Desconectar del suministro de la red, antes de realizar la sustitución del fusible o de la lámpara.  
**Voor het vervangen van lamp of zekering, eerst netspanning uitschakelen.**  
 Koppla bort spänningen före byte av en säkring eller en lampa.



**Switch Off**  
 Abschalten  
**Débrancher**  
 Desconectar  
**Uitschakelen**  
 Stäng av

These luminaires are suitable for interior ceiling mounting.

Installation should be carried out by a suitably qualified person in accordance with good electrical practice and the appropriate national wiring regulations.

Switch off mains electrical supply before commencing installation.

### Installation Procedure

Check that the rating marked on label (C) conforms with mains electrical supply.

For fixing direct to mounting surface, partially screw round headed screws at fixing centres shown on Table.

For suspended installation use 6mm diameter studding, large washers and locknuts as shown in Fig. 1.

Offer housing (B) to mounting surface, feed mains supply cable through grommet (E), locate housing over fixing screws, insert slip washers (A) under screw heads and tighten screws.

Connect mains supply leads to respectively marked terminals in terminal block (F).

Opal Diffuser, Prismatic Controller, Bi-Planner Reflector and Parabolic/ Flat Blade Reflector versions.

Fit appropriate lamps as shown on label (C).

Locate pins (G) on one end of diffuser / reflector panel in housing end flange cut-outs. If applicable connect reflector earth lead to housing earth terminal (D).

Retract pins in other end with pin levers (H), insert panel in housing and release pin levers.

Parabolic Reflector versions - Fig. 2.

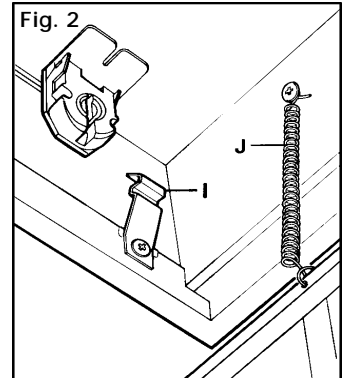
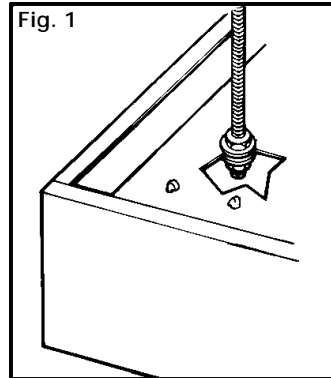
Fix reflector clips (I) to housing with screws provided and attach free ends to reflector. If applicable, connect reflector earth lead to housing earth terminal (D).

Fit appropriate lamps as shown on label (C) and push reflector into housing clips (I).

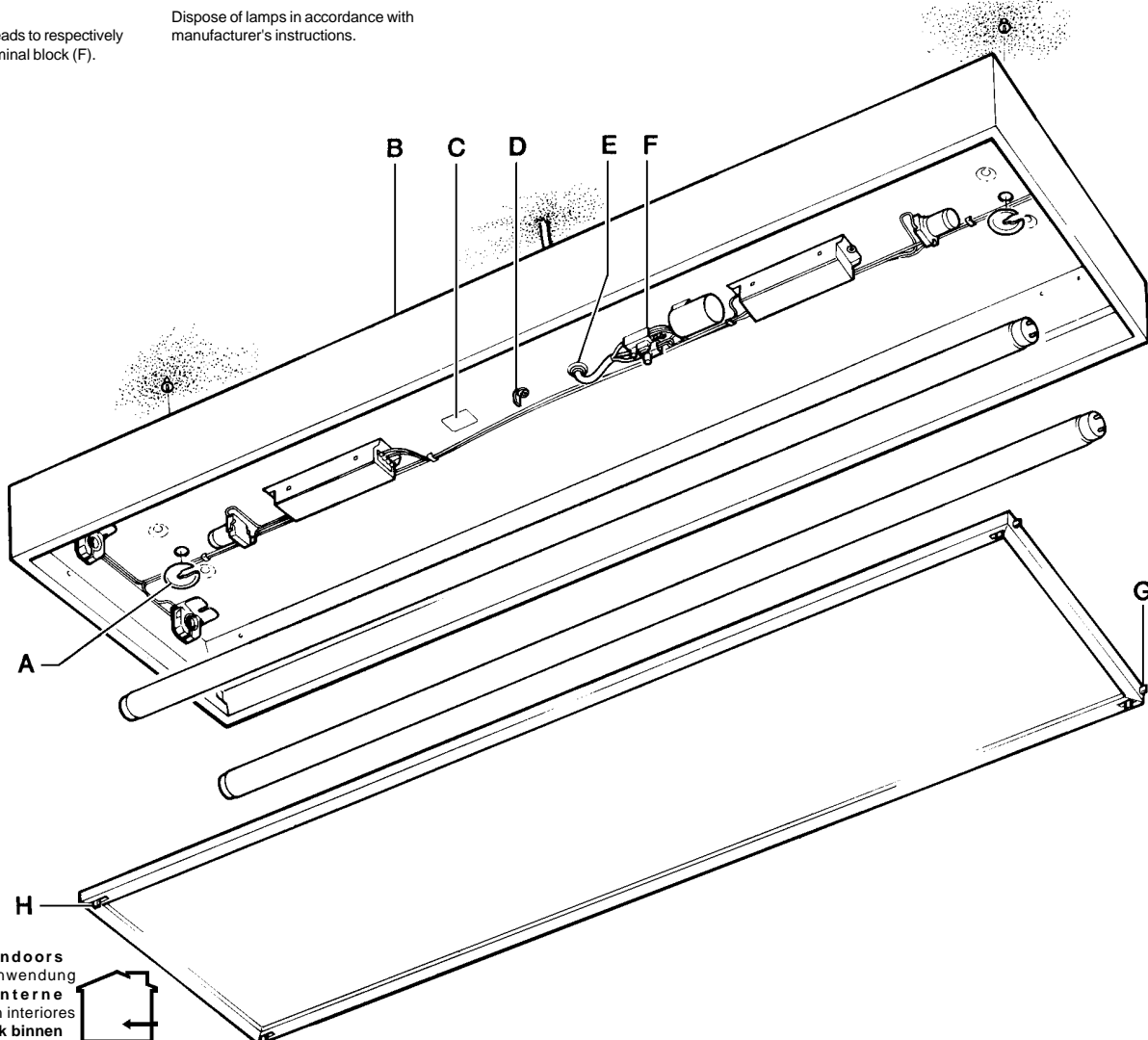
WARNING: This luminaire must be earthed.

NOTE: This luminaire should be cleaned with warm soapy water and soft cloth. Ensure that luminaire is switched off during cleaning.

Dispose of lamps in accordance with manufacturer's instructions.



Rating	Catalogue No.	A	B
4 x 18W	FCD / FDK 418	490	275
2 x 36W	FCD / FDK 236	1100	-
3 x 36W	FCD 336	1100	130
4 x 36W	FCD / FDK 436	1100	275
2 x 58W	FCD / FDK 258	1100	-



**Suitable for use indoors**  
 Geeignet für Innenanwendung  
**Pour un usage interne**  
 Adecuada para uso en interiores  
**Geschikt voor gebruik binnen**  
 Lämpig för inomhusbruk



**Replace any cracked protective shield.**

Dieses symbol bedeutet, dass defekte Schutzgläser sofort ersetzt werden müssen.

**Ce symbole indique que vous devez remplacer tout verre de protection fêlé.**

Este símbolo indica que hay que reemplazar filtros en caso de rotura o desperfectos.

**Dette symbolet indikerer at alle ødelagte (sprukne) sikkerhetglass må skiftes.**

Valaisinta ei saa käyttää ilman suojalasia vioitunut suojalasi on vaihdettava uuteen ennen valaisimen käyttöön ottoa.

< Millimetres >



This Electrical Product MUST be recycled.



04.08

# Concord

Avis Way Newhaven East Sussex BN9 0ED  
 T 0870 606 2030 F 01273 512 688 email: information@concordmarlin.com

