

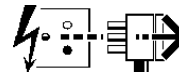
# 3F Recessed Emergency Unit

Installation Instructions **IS500** **F** **⊕** This Product **MUST** be **EARTHED**

## IS2781A

EMR 100 M3 series  
4035430

**Disconnect from mains supply before replacing the fuse or the lamp.**  
**Vor dem Einsetzen der Sicherung oder der Lampe Spannungsfreiheit herstellen.**  
**Débrancher le secteur avant de remplacer le fusible ou l'ampoule.**  
**Desconectar del suministro de la red, antes de realizar la sustitución del fusible o de la lámpara.**  
**Voor het vervangen van lamp of zekering, eerst netspanning uitschakelen.**  
**Koppla bort spänningen före byte av en säkring eller en lampa.**



**Switch Off**  
**Abschalten**  
**Débrancher**  
**Desconectar**  
**Uitschakelen**  
**Stäng av**

These luminaires and associate remote power module will provide emergency lighting for a 3 hour duration. The luminaires are suitable for interior ceiling mounting and are compatible with popular types of suspended ceilings including 15mm exposed tee grids.

Installation should be carried out by a suitably qualified person in accordance with good electrical practice and the appropriate national wiring regulations.

Switch off mains electrical supply before commencing installation.

### Installation Procedure

Check that the rating on the label (K) conforms to mains electrical supply.

Partially screw suspension arm securing screws into suspension arms (C).

Offer housing (B) to ceiling aperture (see Table), feed mains supply cable through grommet (H) and luminaire/module connection cable through grommet (D).

Insert housing in ceiling aperture, place suspension arms (C) through slots in housing, locate arms on ceiling mounting surface or gridwork as applicable and tighten screws. (see various fitting arrangements).

For suspended installation use 6mm studding with locknuts and large washers (see Table and fitting arrangements).

Connect mains supply cable leads to their respectively marked terminals in terminal block (J) and coloured leads of luminaire/module cable to their respectively marked terminals in terminal block (F) and secure cable in clamp (E).

### Opal Diffuser, Prismatic Controller, Bi-Planer reflector and Parabolic/Flat Blade Reflector versions.

Fit appropriate lamps as indicated on label (K).

Locate diffuser/reflector pins (L) in end flange cut-outs (A). Where applicable, connect reflector earth lead to housing earth terminal (G).

Retract pins in other end of panel with pin levers (M). Insert panel in housing and release pin levers.

### Asymmetric and Parabolic Reflector versions (Fig. 1)

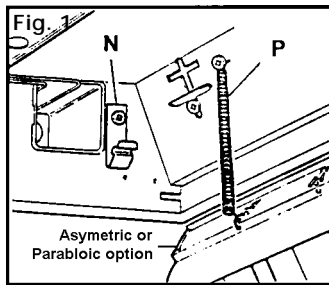
Secure reflector retaining clips (N) to housing end flanges with supplied screws. Fix reflector retaining springs (P) with supplied screws and attach free ends to reflector. Where applicable, connect reflector earth lead to housing earth terminal (G).

Fit appropriate lamps as indicated on label (K) and push reflector into retaining clips (N) in housing.

**WARNING:** This luminaire must be earthed.

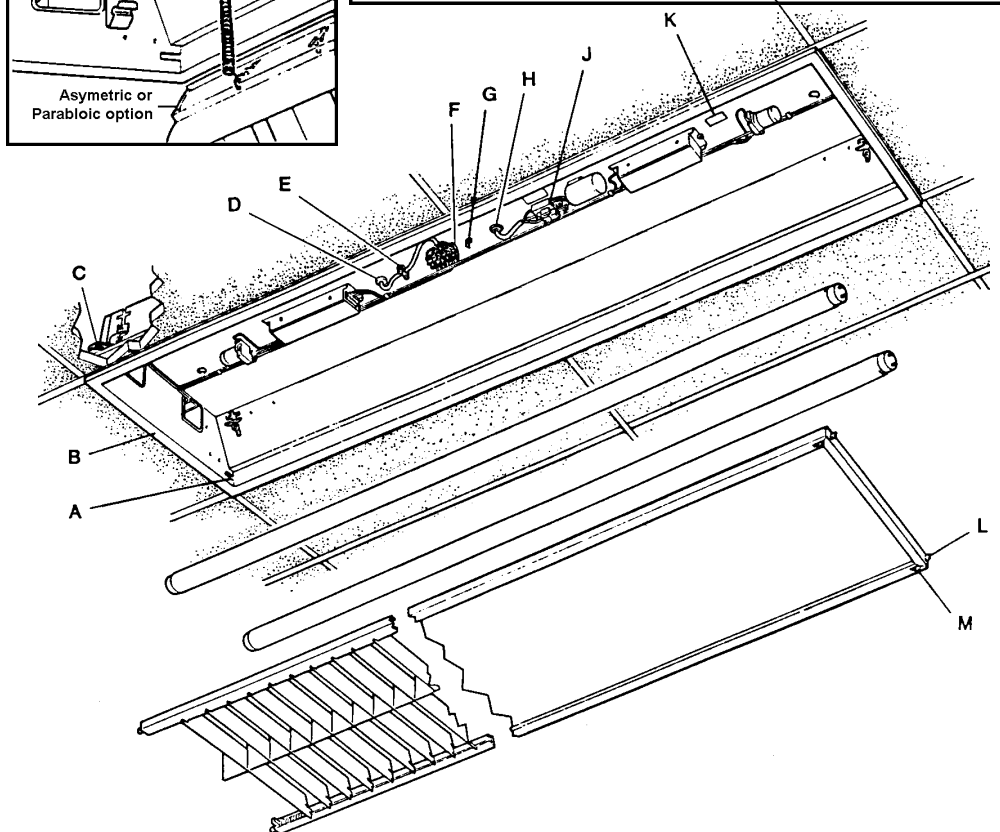
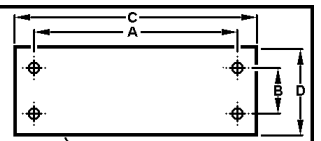
**NOTE:** This luminaire should be cleaned using warm soapy water and a soft cloth. Ensure mains electrical supply is switched off during cleaning.

Dispose of lamps in accordance with the manufacturer's instructions.

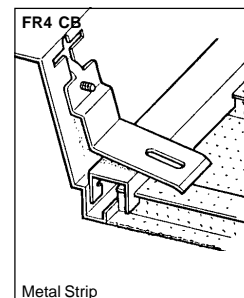
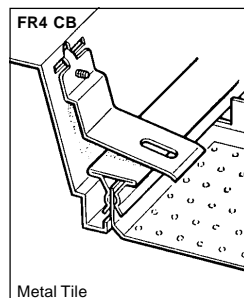
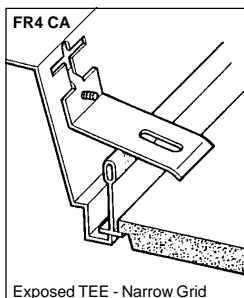
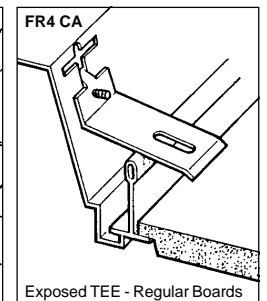
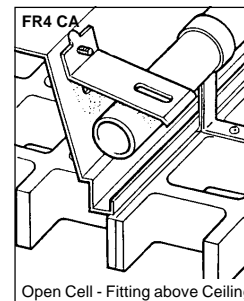
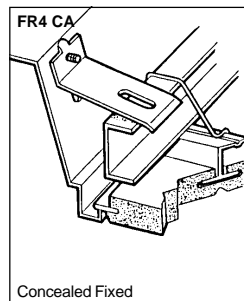
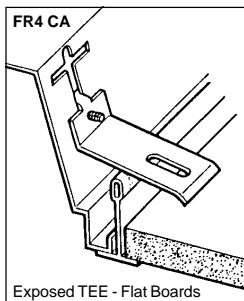
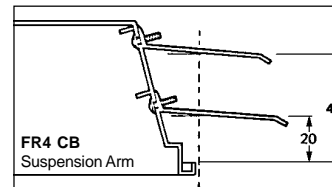
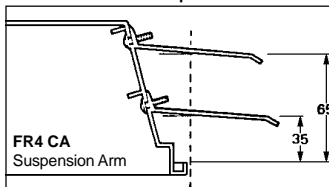


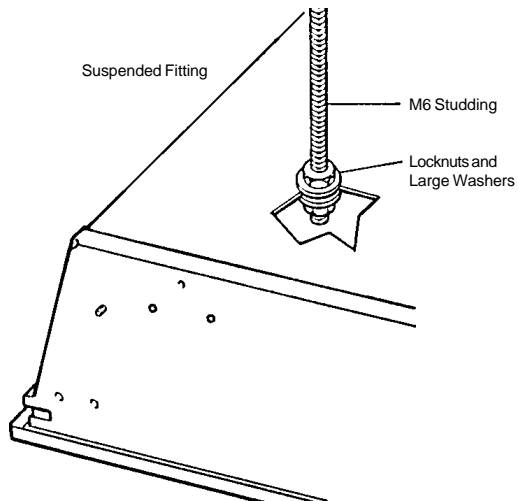
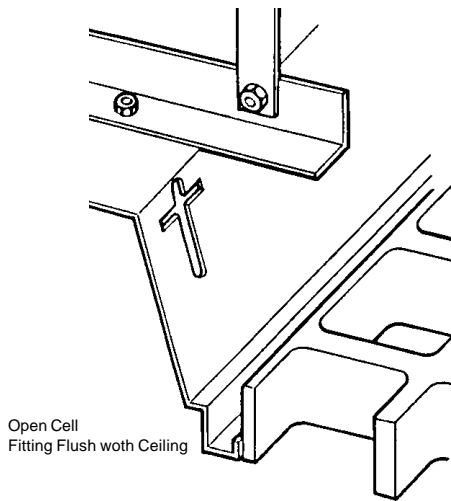
Fixing centres for direct fixing from soffit and ceiling aperture sizes (in millimeters).

Rating	Catalogue No.	A	B	C	D
4 x 18W	EMR 107	490	275	575	575
3 x 36W	EMR 109	1100	185	1175	575
4 x 36W	EMR 110	1100	275	1475	275
2 x 58W	EMR 111	1100	-	1475	150



### Minimum Recessed Depth = 90mm





**Routine Maintenance**

Routine maintenance must be carried out in compliance with the requirements of BS5266:Part 1 - Emergency Lighting of Premises.

The following tests assume a three-hour system.

- Daily:**
1. Check that any recorded faults have been rectified.
  2. Check that the maintained emergency lamp is operative.
  3. Check that the charge indicator light is illuminated.
- Monthly:**  
(Functional)
1. Simulate a mains failure and check that the emergency lamp illuminates and remains on for several minutes.
  2. After reverting back to mains supply check the charge indicator light is illuminated.
- Six Monthly:**  
(1 Hour)
1. Simulate a mains failure and check that the emergency lamp illuminates and remains on for one hour.
  2. After reverting back to mains supply check the charge indicator light is illuminated.
  3. On restoring the mains supply the unit will require approximately 24 hours to recharge before becoming fully operational.
- Three Years:**  
(3 Hours)
1. Simulate a mains failure and check that the emergency lamp illuminates and remains on for at least 3 hours.
  2. After reverting back to mains supply check the charge indicator light is illuminated.
  3. On restoring the mains supply the unit will require approximately 24 hours to recharge before becoming fully operational.

It is recommended that the battery packs and lamps are replaced every 4 years or sooner if the units performance fails to meet the above requirements. To maintain optimum unit performance, only approved replacement battery packs and lamps must be used.

All routine maintenance checks must be recorded on the unit Routine Test Record and must be made available for inspection at all times.

**Installation and Commissioning Record**

Luminaire Model Ref: \_\_\_\_\_ Location: \_\_\_\_\_  
 Installed By: \_\_\_\_\_ Date: \_\_\_\_\_  
 Commissioned by: \_\_\_\_\_ Date: \_\_\_\_\_  
 (Full Charge and Discharge Cycle)

**Routine Test Record**

Monthly Test	First Year		Second Year		Third Year		Forth Year		Fifth Year	
	Signed	Dated	Signed	Dated	Signed	Dated	Signed	Dated	Signed	Dated
Functional										
Functional										
Functional										
Functional										
Functional										
1 Hour Duration										
Functional										
Functional										
Functional										
Functional										
Functional										
1 Hour Duration										
3 Hour Duration										

**Suitable for use indoors**

Geeignet für Innenanwendung  
**Pour un usage interne**  
 Adecuada para uso en interiores  
**Geschikt voor gebruik binnen**  
 Lämpig för inomhusbruk



**Replace any cracked protective shield.**  
 Dieses symbol bedeutet, dass defekte schutzgläser sofort ersetzt werden müssen.  
**Ce symbol indique que vous devez remplacer tout verre de protection fêlé.**  
 Este simbolo indica que hay que 'reemplazar filtros en caso de rotura o desperfectos'.  
**Dette symbolet indikerer at alle ødelagte (sprukne) sikkerhetsglass må skiftes.**  
 Valaisinta el saa käyttää ilman suojalasia vioittunut suojalasi on vaihdettava uuteen ennen valaisimen käyttöön ottoa.

< Millimetres >



This Electrical Product MUST be recycled.



03.08

**Concord**

Avis Way Newhaven East Sussex BN9 0ED  
 T 0870 606 2030 F 01273 512 688 email: information@concordmarlin.com

