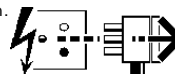
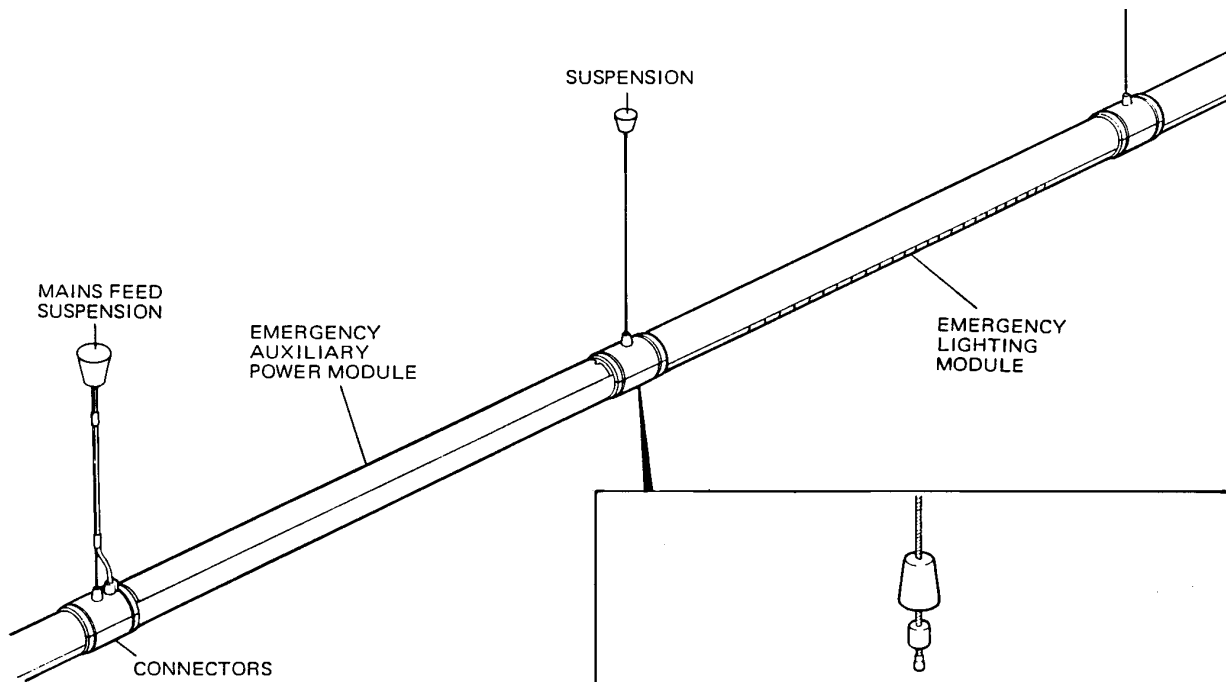


Disconnect from mains supply before replacing the fuse or the lamp.
 Vor dem Einsetzen der Sicherung oder der Lampe Spannungsfreiheit herstellen.
Débrancher le secteur avant de remplacer le fusible ou l'ampoule.
 Desconectar del suministro de la red, antes de realizar la sustitución del fusible o de la lámpara.
Voor het vervangen van lamp of zekering, eerst netspanning uitschakelen.
 Koppla bort spänningen före byte av en säkring eller en lampa.



Switch Off
 Abschalten
Débrancher
 Desconectar
Uitschakelen
 Stäng av



The emergency lighting module and associate auxiliary power module have been designed for maintained operation with 3 hours duration. They must be connected in accordance with the requirements of British Standards BS 5266 – Emergency Lighting of Premises, to a continuous supply which cannot be interrupted inadvertently or by unauthorised persons.

The modules should be installed by a suitably qualified person, in accordance with I.E.E. Wiring Regulations and relevant legislation.

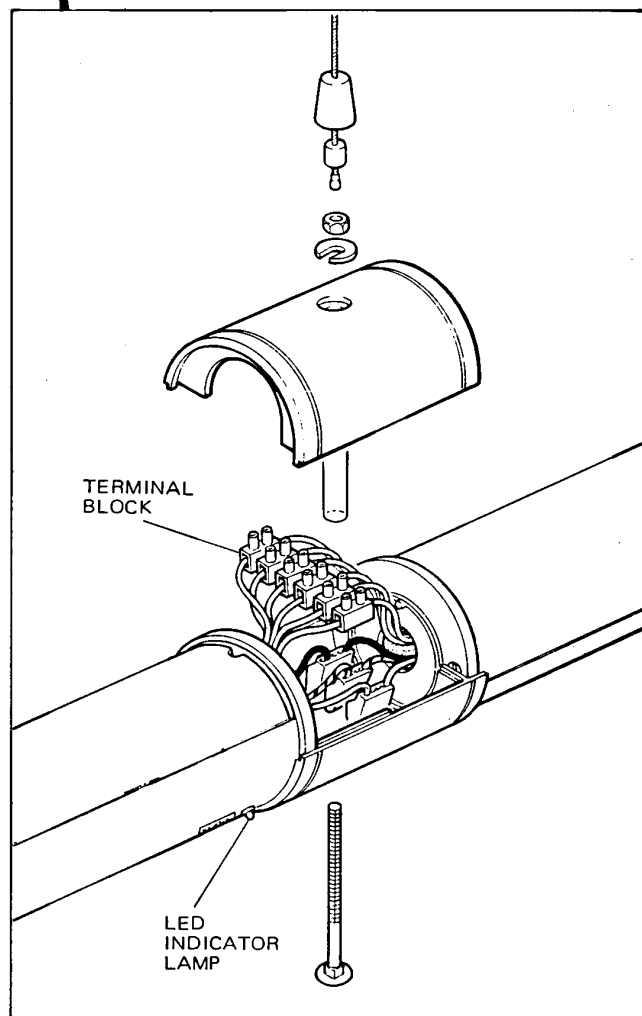
MODULE INSTALLATION PROCEDURE

Locate the indicator lamp in position in the auxiliary power module casing.

Suspend the lighting module and the auxiliary power module (with its cover to the top as shown in the illustration.)

Connect the six numbered leads from the lighting module to their respective terminals in the auxiliary power module terminal block.

For all installation procedures relating to mains feed suspension, suspensions and connector assembly refer to the Lightline System Installation Instructions.



Replace any cracked protective shield.

Dieses symbol bedeutet, dass defekte schutzgläser sofort ersetzt werden müssen.

Ce symbol indique que vous devez remplacer tout verre de protection fêlé.

Este simbolo indica que hay que 'reemplazar filtros en caso de rotura o desperfectos'.

Dette symbolet indikerer at alle odelagte (sprukne) sikkerhetglass må skiftes.

Valaisinta el saa käyttää ilman suojalasia vioitunut suojalasi on vaihdettava uuteen ennen valaisimen käyttöön ottoa.

Suitable for use indoors
 Geeignet für Innenanwendung
Pour un usage interne
 Adecuada para uso en interiores
Geschikt voor gebruik binnen
 Lämplig för inomhusbruk



This Electrical Product
MUST be recycled.



< Millimetres >