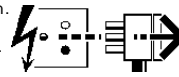


**Disconnect from mains supply before replacing the fuse or the lamp.**  
 Vor dem Einsetzen der Sicherung oder der Lampe Spannungsfreiheit herstellen.  
**Débrancher le secteur avant de remplacer le fusible ou l'ampoule.**  
 Desconectar del suministro de la red, antes de realizar la sustitución del fusible o de la lámpara.  
**Voor het vervangen van lamp of zekering, eerst netspanning uitschakelen.**  
 Koppla bort spänningen före byte av en säkring eller en lampa.



**Switch Off**  
 Abschalten  
**Débrancher**  
 Desconectar  
**Uitschakelen**  
 Stäng av

This emergency unit has been designed for maintained operation with 3 hours duration.

The luminaire should be installed by a suitably qualified person in accordance with good electrical practice and I.E.E. regulations and relevant legislation. The luminaire must be connected in accordance with the requirements of BS5266 - Emergency Lighting of Premises, to a continuous electrical supply, which cannot be interrupted inadvertently or by unauthorised person/s.

The luminaire is suitable for exterior use within an ambient temperature range of 0-25°C, and in exposed weather situations (BS5490-IP55).

Switch off mains electrical supply before commencing installation.

### Installation Procedure

Remove diffuser (F) by unscrewing the retaining screws with supplied socket key.

Check that the rating on the label (E) conforms with the mains electrical supply.

Unscrew gear assembly fixing screws and remove gear assembly (D) from housing (B).

### Conduit Box Mounting

Drill two 5mm diameter holes in housing (B) with fixing centres to suit conduit box.

For protection against vandalism use outrigger fixing holes (L) as described under 'Surface Mounting'.

Drill out cable entry hole in central boss and stick adhesive gasket (A) on back of housing (B).

Offer housing to conduit box, feed mains supply leads into housing and secure housing to conduit box using suitable M4 screws.

### Surface Mounting

Drill four 13mm diameter outrigger fixing holes (L) in housing, and secure housing to mounting surface using suitable screws and supplied seal washers (K).  
 NOTE: Place sealing face of washer to housing.

Remove blanking plug (M) at terminal block end of housing and fit appropriate conduit, pyro or cable gland components to housing ensuring a sealed joint is obtained.

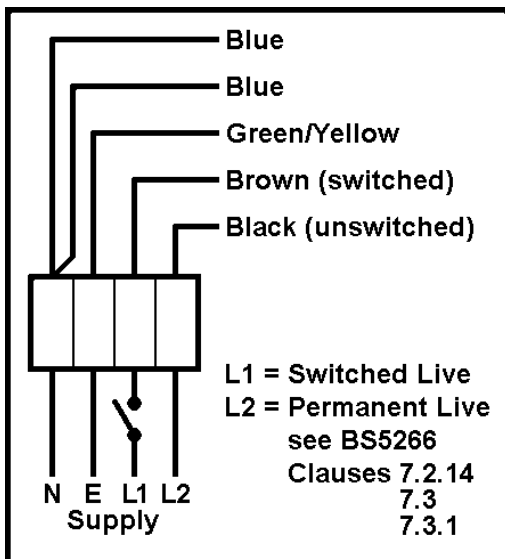
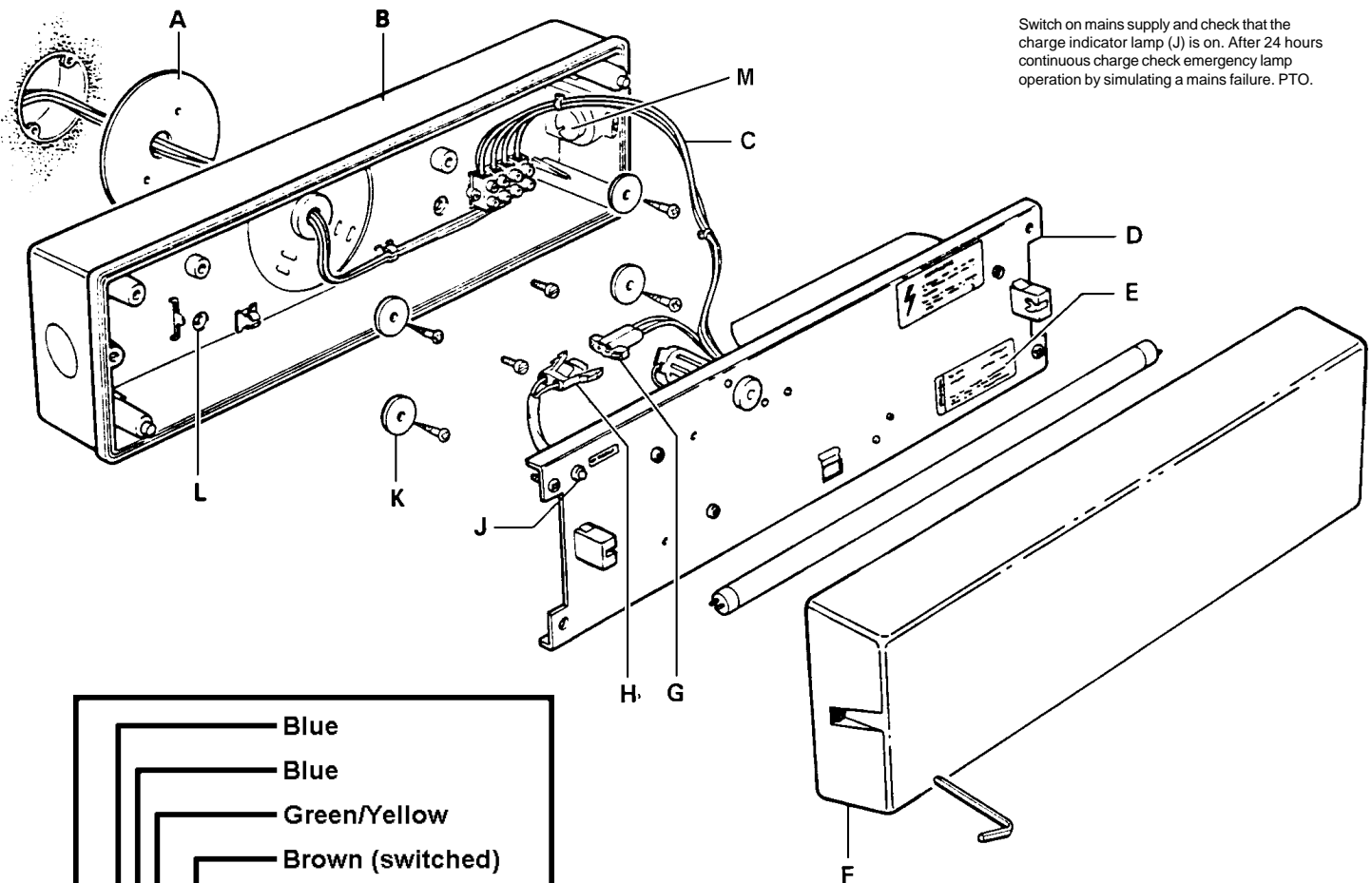
Feed mains supply leads into housing and connect to respective terminals in terminal block as shown in Fig. 2. For through wiring repeat above procedure and locate in clips provided.

Connect flying leads (C) to respective terminal as shown in Fig. 2.

Connect battery plug (G) and socket (H).

Locate gear assembly (D) on mounting bosses and secure in position.

Switch on mains supply and check that the charge indicator lamp (J) is on. After 24 hours continuous charge check emergency lamp operation by simulating a mains failure. P.T.O.



**Routine Maintenance**

Routine maintenance must be carried out in compliance with the requirements of BS5266:Part 1 - Emergency Lighting of Premises.

The following tests assume a three-hour system.

- Daily:**
1. Check that any recorded faults have been rectified.
  2. Check that the maintained emergency lamp is operative.
  3. Check that the charge indicator light is illuminated.
- Monthly:**  
(Functional)
1. Simulate a mains failure and check that the emergency lamp illuminates and remains on for several minutes.
  2. After reverting back to mains supply check the charge indicator light is illuminated.
- Six Monthly:**  
(1 Hour)
1. Simulate a mains failure and check that the emergency lamp illuminates and remains on for one hour.
  2. After reverting back to mains supply check the charge indicator light is illuminated.
  3. On restoring the mains supply the unit will require approximately 24 hours to recharge before becoming fully operational.
- Three Years:**  
(3 Hours)
1. Simulate a mains failure and check that the emergency lamp illuminates and remains on for at least 3 hours.
  2. After reverting back to mains supply check the charge indicator light is illuminated.
  3. On restoring the mains supply the unit will require approximately 24 hours to recharge before becoming fully operational.

It is recommended that the battery packs and lamps are replaced every 4 years or sooner if the units performance fails to meet the above requirements. To maintain optimum unit performance, only approved replacement battery packs and lamps must be used.

All routine maintenance checks must be recorded on the unit Routine Test Record and must be made available for inspection at all times.

**Installation and Commissioning Record**

.....

Luminaire Model Ref: Location:

.....

Installed By: Date:

.....

Commissioned by: Date:

(Full Charge and Discharge Cycle)

.....

**Routine Test Record**

Monthly Test	First Year		Second Year		Third Year		Forth Year		Fifth Year	
	Signed	Dated	Signed	Dated	Signed	Dated	Signed	Dated	Signed	Dated
Functional										
Functional										
Functional										
Functional										
Functional										
1 Hour Duration										
Functional										
Functional										
Functional										
Functional										
Functional										
1 Hour Duration										
3 Hour Duration										

**Suitable for use indoors**  
 Geeignet für Innenanwendung  
**Pour un usage interne**  
 Adecuada para uso en interiores  
**Geschikt voor gebruik binnen**  
 Lämpig för inomhusbruk



**Replace any cracked protective shield.**  
 Dieses symbol bedeutet, dass defekte schutzgläser sofort ersetzt werden müssen.  
**Ce symbol indique que vous devez remplacer tout verre de protection fêlé.**  
 Este simbolo indica que hay que reemplazar filtros en caso de rotura o desperfectos.  
**Dette symbolet indikerer at alle ødelagte (sprukne) sikkerhetsglass må skiftes.**  
 Valaisinta el saa käyttää ilman suojalasia vioittunut suojalasi on vaihdettava uuteen ennen valaisimen käyttöön ottoa.

< Millimetres >

This Electrical Product MUST be recycled.

03.08

