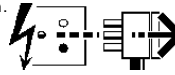


MTC series

Disconnect from mains supply before replacing the fuse or the lamp.
 Vor dem Einsetzen der Sicherung oder der Lampe Spannungsfreiheit herstellen.
Débrancher le secteur avant de remplacer le fusible ou l'ampoule.
 Desconectar del suministro de la red, antes de realizar la sustitución del fusible o de la lámpara.
Voor het vervangen van lamp of zekering, eerst netspanning uitschakelen.
 Koppla bort spänningen före byte av en säkring eller en lampa.



Switch Off
 Abschalten
Débrancher
 Desconectar
Uitschakelen
 Stäng av

This transformer is suitable for continuous use in interior situations where the ambient temperature does not exceed 30°C. Type MTC 30T has been designed for use with Concord 12V 25A track systems, all other types are for use in conjunction with the Concord range of low voltage luminaires.

Installation should be carried out by a suitably qualified person in accordance with good electrical practice and the appropriate national wiring regulations.

Switch off mains electrical supply before commencing installation.

Installation Procedure

Remove cover (A) from the chassis (E).

Remove knockout (B) from chassis end panel for mains supply cable entry (Remove both knockouts for looped wiring).

Secure chassis (E) to mounting surface using suitable screws through the fixing holes (F).

Pass mains supply cable (C) through entry hole in end panel.

NOTE: Cable entry hole will accept 20mm grommet, gland or conduit.

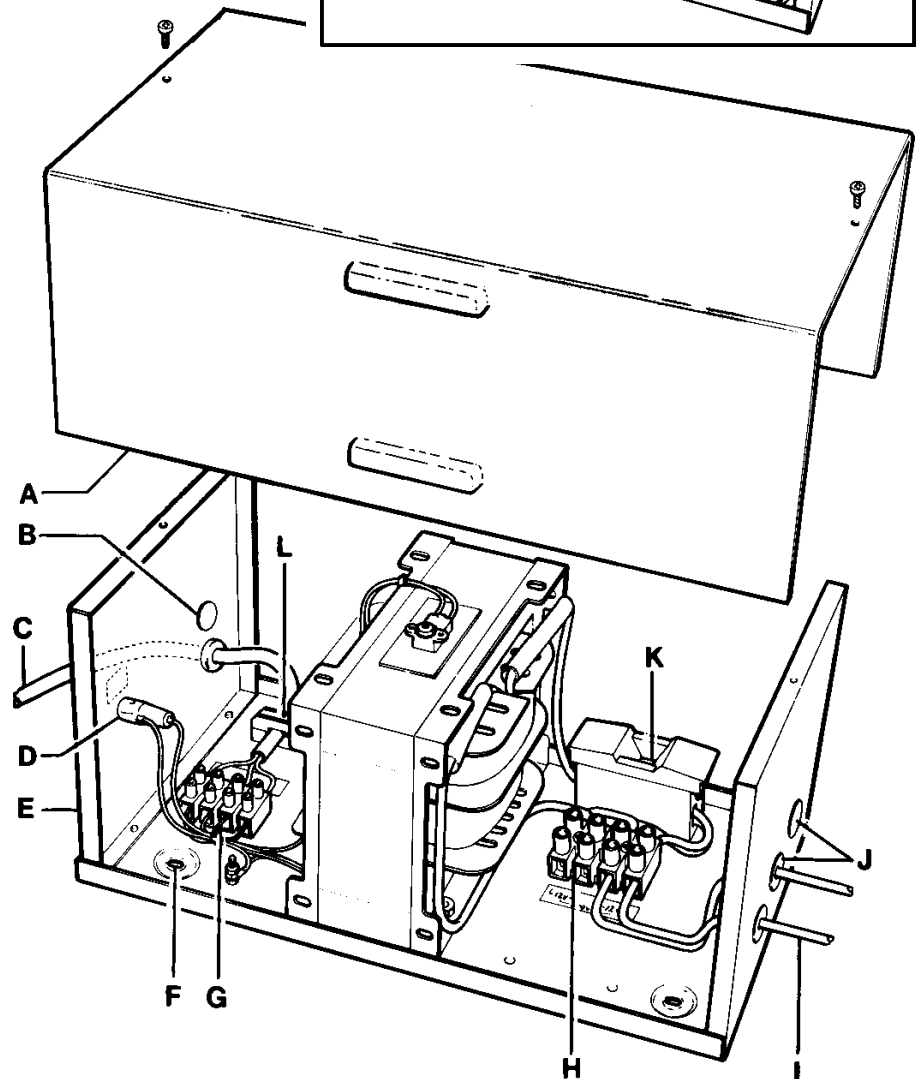
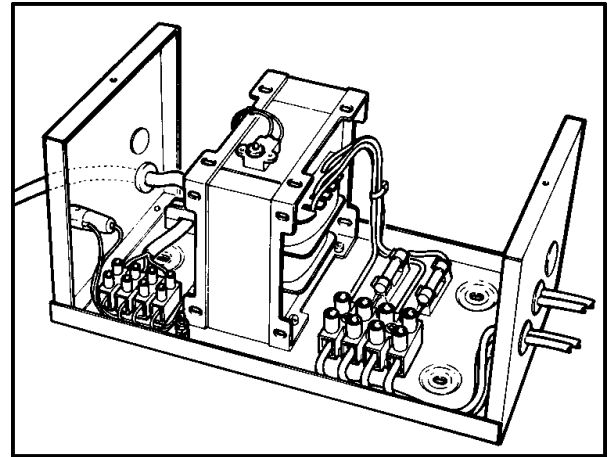
Connect mains supply cable leads to L, E and A1 (Neutral) terminals in mains terminal block (G). Locate cable in cable clamp (L) and tighten clamp screw.

Feed low voltage cable/s through grommet/s (J) in end panel and connect leads in OV/12V terminals in terminal block (H).

Replace cover.

NOTE: Input fuse (D) and output fuse (K) are antisurge type and should not be replaced with any other type.

These instructions should be read in conjunction with Installation sheet IS2991.



Suitable for use indoors
 Geeignet für Innenanwendung
Pour un usage interne
 Adecuada para uso en interiores
Geschikt voor gebruik binnen
 Lämplig för inomhusbruk



Replace any cracked protective shield.

Dieses symbol bedeutet, dass defekte Schutzgläser sofort ersetzt werden müssen.

Ce symbole indique que vous devez remplacer tout verre de protection fêlé.

Este símbolo indica que hay que reemplazar filtros en caso de rotura o desperfectos.

Dette symbolet indikerer at alle ødelagte (sprukne) sikkerhetglass må skiftes.

Valaisinta ei saa käyttää ilman suojalasiasa vioitunut suojalasi on vaihdettava uuteen ennen valaisimen käyttöön ottoa.

< Millimetres >



This Electrical Product
MUST be recycled.



04.08

Concord

Avis Way Newhaven East Sussex BN9 0ED
 T 0870 606 2030 F 01273 512 688 email: information@concordmarlin.com

