





INSTALLATION INSTRUCTIONS FOR:

FWD Housing **5375**
 Arms for Single Sided Sign **5376**
 Brackets for Double Sided Sign **5377**
 Jointing Bracket **5378**

THIS FITTING IS FOR DOWNWARD LIGHTING.

Follow these instructions carefully to ensure safe and reliable operation. Retain this leaflet for future reference. In case of queries contact your supplier.

The following symbols will be found on the product or labels:

-  — Class I This fitting must be earthed.
-  — Suitable for use on flammable surfaces
-  — IP23 Rainproof
- N** — Neutral
- L** — Line
-  — Earth

COLOUR CODING OF CABLES

Throughout this leaflet the following coding is used:-

LINE	L	—	Brown or Red
NEUTRAL	N	—	Blue or Black
EARTH		—	Green/Yellow or Bare conductor

SAFETY

Follow the appropriate national wiring regulations; if in doubt consult a qualified electrician.

Disconnect mains supply before installation, maintenance or replacing the lamp(s).

This product must not be modified. Any modification will negate any Safety Mark approvals and may render the product unsafe. The Company accepts no responsibility for modified products. The products must be installed in accordance with these instructions.

This fitting must only be installed horizontally.

The fittings are supplied ready to connect to a 230/250 A.C. supply, the supply cable must only be replaced with cable of the same diameter.

To ensure good electrical contact, terminals must be screwed firmly and wire strands must not be tinned.

INSTALLATION

Single Sided Sign:

1. Fix the arms to the housing, ensuring that measurements are used (Fig 1).
2. Mount the fitting onto the appropriate surface. Fix securely with 4 x 5.6mm diameter screws (not supplied).
3. Terminate the cable to a suitable electrical outlet (note cable colour coding).
Go to 9.

Double Sided Sign

4. The double brackets may be positioned above or below the sign framework which must not be greater than 95mm wide or between 13mm and 89mm deep. The brackets may be fixed using coach screws. Assemble the brackets either below the sign framework (Fig 2a) or above the sign framework (Fig 2b).
5. Terminate the cable to a suitable electrical outlet (note cable colour coding).
Go to 9.

In-Line

6. Assemble the arms so that from the fixing centres of each single arm to the fixing centre of the bridging arm, a distance of 470mm is allowed (Fig 3).
7. Mount the fitting onto the appropriate surface. Fix securely with 6 x 5.6mm diameter screws.
8. Terminate the cable to a suitable electrical outlet (note cable colour).
9. Connect mains supply and check that fitting is operating correctly.

On completion of this installation, hand this leaflet to the person responsible for lighting maintenance. Make a note on the instructions of the supplier and the date of purchase.

LAMP CHANGING

Defective lamps should be replaced as soon as possible. Only lamps of correct type and rating should be used (see product rating label).

The fitting and lamp can quickly become hot, ensure that both have cooled adequately before adjusting or replacing lamps.

Disconnect from mains supply before starting procedure.

- i. Remove clear cover plate by sliding off.
- ii. Remove lamp: gently hold lamp at both ends and rotate until lamp pins are visible through slots in tops of lampholders, draw lamp out of lampholders.
- iii. Replace new lamp by reversing procedure ii.
- iv. Refit clear cover plate by reversing procedure i.

STARTER CHANGING

Defective starters should be replaced as soon as possible. Only starters of correct type should be used.

Disconnect from mains supply before starting procedure:

- i. Remove clear cover plate by sliding off.
- ii. Remove starter by rotating anti-clockwise and lifting free.
- iii. Refit new starter by reversing procedure ii.
- iv. Refit clear cover plate by reversing procedure i.

Cleaning

Ensure that mains supply is disconnected, and that fitting and lamp are cool.

Use only a soft dry cloth, do not use abrasives or solvents.

Fig.1

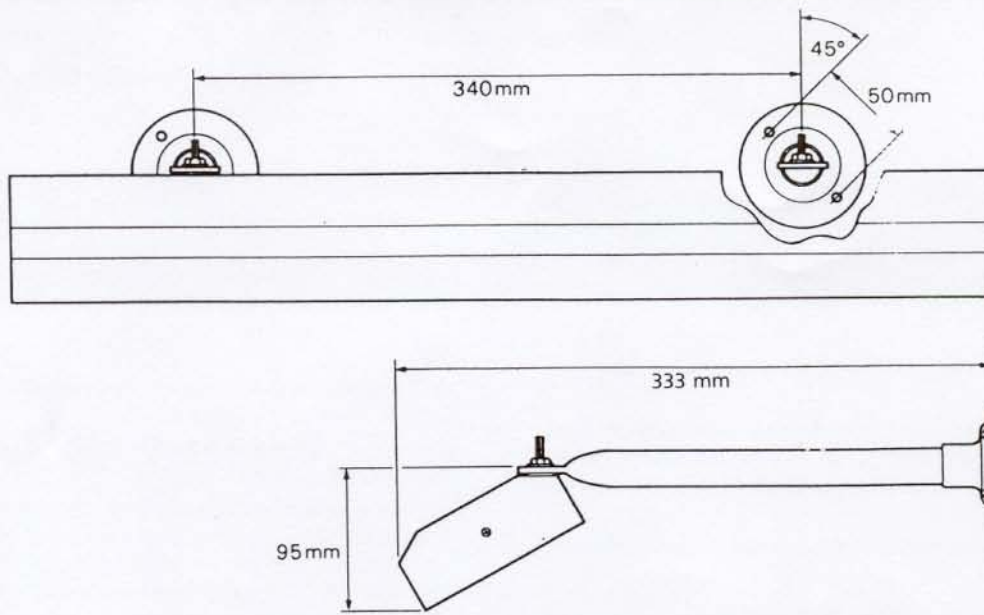


Fig.2a

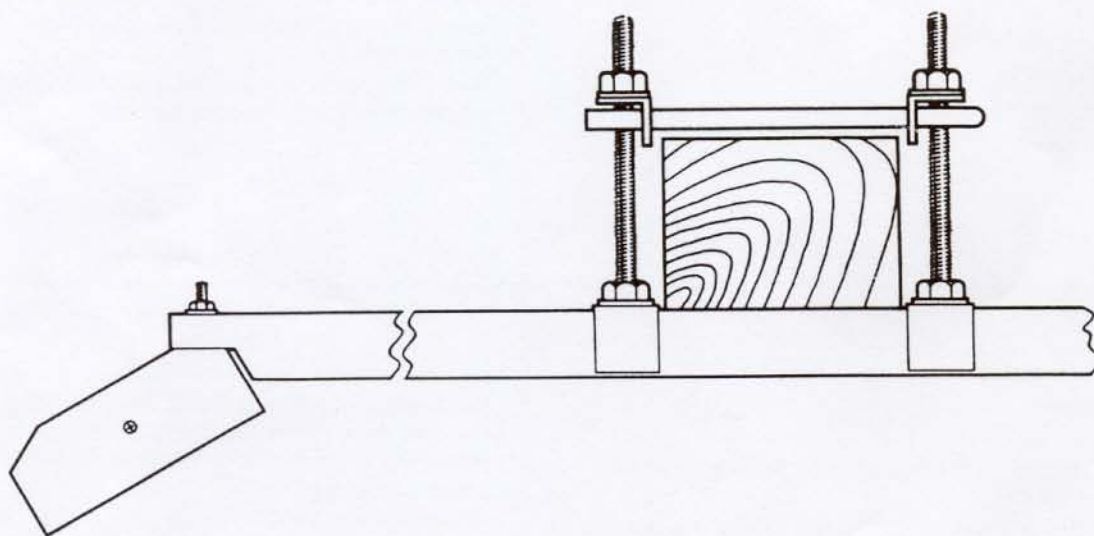


Fig.2b

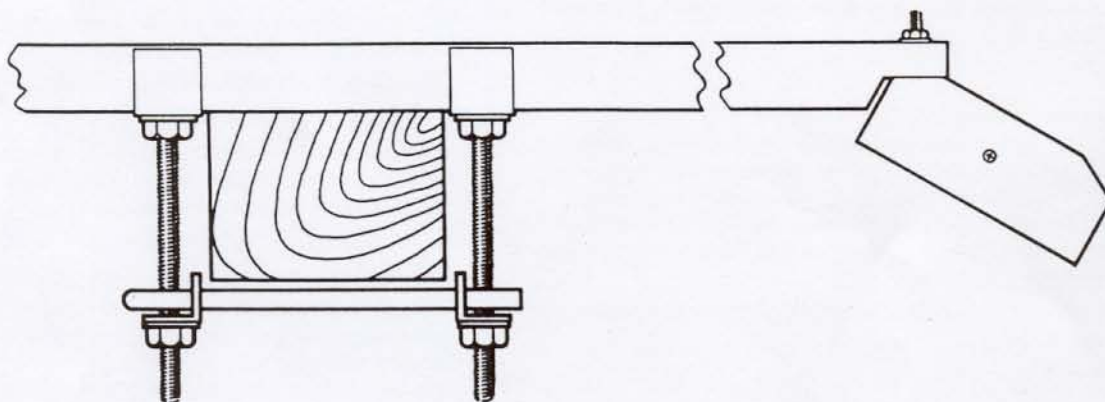


Fig. 3

