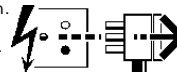


MAHE 050L  
MAHF 035L  
MAHG 020L

**Disconnect from mains supply before replacing the fuse or the lamp.**  
Vor dem Einsetzen der Sicherung oder der Lampe Spannungsfreiheit herstellen.  
**Débrancher le secteur avant de remplacer le fusible ou l'ampoule.**  
Desconectar del suministro de la red, antes de realizar la sustitución del fusible o de la lámpara.  
**Voor het vervangen van lamp of zekering, eerst netspanning uitschakelen.**  
Koppla bort spänningen före byte av en säkring eller en lampa.



**Switch Off**  
Abschalten  
**Débrancher**  
Desconectar  
**Uitschakelen**  
Stäng av

These extra Low Voltage (i.e. 12Volt) luminaires have been designed for interior ceiling mounting and are suitable for mounting in combustible surfaces. The luminaire do not require earthing and should be used in conjunction with Concord MTC type transformers.

The MAHE and MAHF series require a ceiling aperture of 78mm diameter and a recess depth of 150mm.  
The MAHG series requires a ceiling aperture of 54mm diameter and a recess depth of 100mm.

The distance between the lamp and any lit object must not be less than 0.5m as indicated by the symbol on the label.

It is recommended that the installation is carried out by a suitably qualified person in accordance with good electrical practice and with I.E.E. Wiring Regulations and in particular Section 411 which relates to extra Low Voltage installations.

These instructions should be read in conjunction with those for the transformers, see IS2991.

### Installation Procedure

Determine the luminaire position and prepare the appropriate size aperture in the mounting surface.

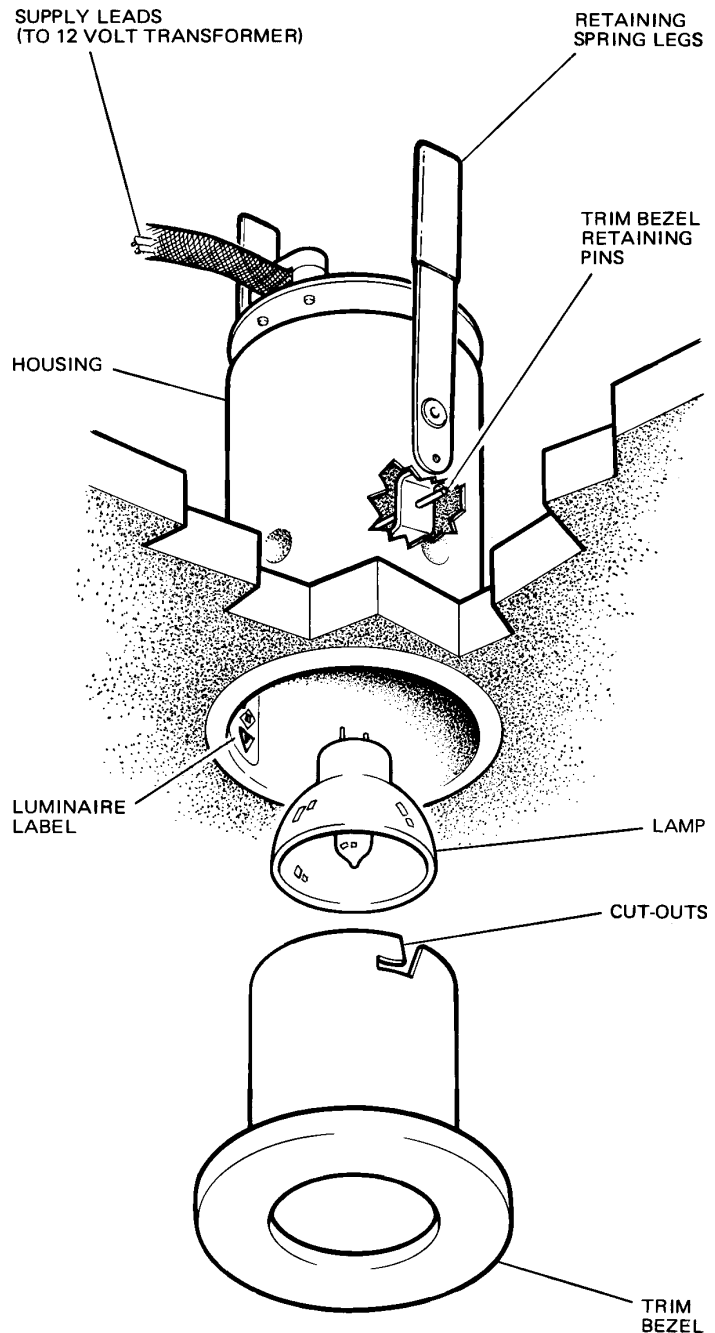
Offer the luminaire to the aperture and connect the supply leads directly or indirectly via a remote junction box to the transformer output terminals.

Insert the luminaire in the aperture and rotate the retaining spring legs onto the inner face of the mounting surface as shown in Fig. 1.

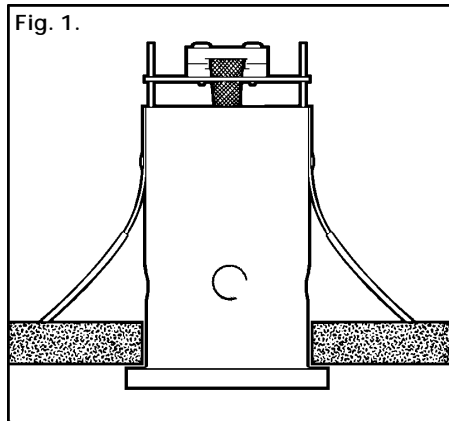
Fit the appropriate lamp as indicated on the luminaire label into the lampholder.

Insert the trim bezel in the housing, engage the bezel cut-outs on the retaining pins and rotate the bezel clockwise to secure it in position. NOTE: This luminaire should be cleaned using warm soapy water and a soft cloth. Ensure that the luminaire is switched off during cleaning.

Dispose of lamps in accordance with the manufacturer's instructions.



The illustration shows the MAHG 020L



### Suitable for use indoors

Geeignet für Innenanwendung  
**Pour un usage interne**  
Adecuada para uso en interiores  
**Geschikt voor gebruik binnen**  
Lämplig för inomhusbruk



### Replace any cracked protective shield.

Dieses symbol bedeutet, dass defekte Schutzgläser sofort ersetzt werden müssen.

**Ce symbole indique que vous devez remplacer tout verre de protection fêlé.**

Este símbolo indica que hay que reemplazar filtros en caso de rotura o desperfectos.



**Dette symbolet indikerer at alle ødelagte (sprukne) sikkerhetglass må skiftes.**

Valaisinta ei saa käyttää ilman suojalasia vioitunut suojalasi on vaihdettava uuteen ennen valaisimen käyttöön ottoa.

< Millimetres >



This Electrical Product  
MUST be recycled.



04.08

# Concord

Avis Way Newhaven East Sussex BN9 0ED  
T 0870 606 2030 F 01273 512 688 email: information@concordmarlin.com

