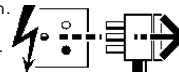
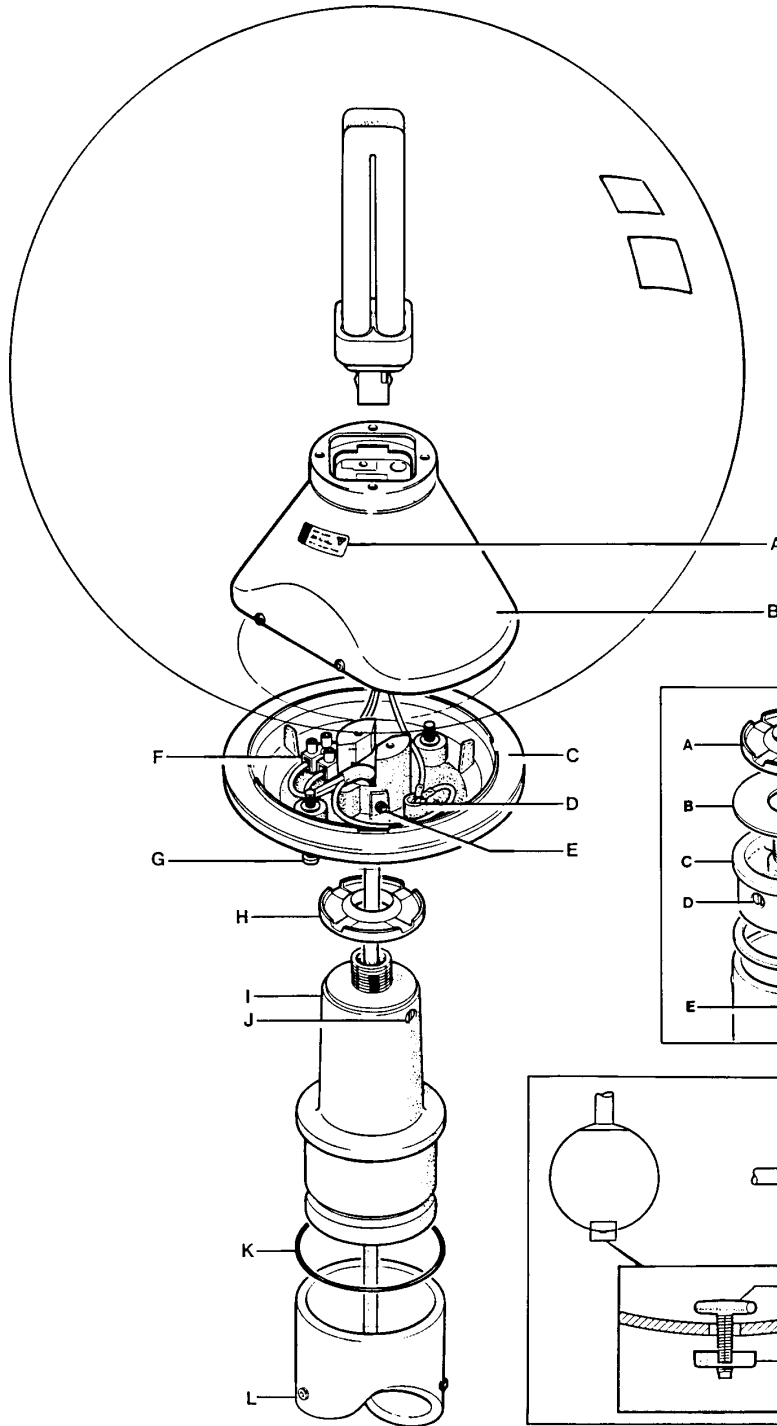


Disconnect from mains supply before replacing the fuse or the lamp.
Vor dem Einsetzen der Sicherung oder der Lampe Spannungsfreiheit herstellen.
Débrancher le secteur avant de remplacer le fusible ou l'ampoule.
Desconectar del suministro de la red, antes de realizar la sustitución del fusible o de la lámpara.
Voor het vervangen van lamp of zekering, eerst netspanning uitschakelen.
Koppla bort spänningen före byte av en säkring eller en lampa.



Switch Off
Abschalten
Débrancher
Desconectar
Uitschakelen
Stäng av



This fitter has been designed for use with Marlin Group 2 and 4 poles and Sphereline range.

Installation should be carried out by a suitably qualified person in accordance with good electrical practice and the appropriate national wiring regulations.

Switch off mains electrical supply before commencing installation.

INSTALLATION PROCEDURE

Unscrew fixing screws (G) and remove gear housing (B) from fitter (C). To prevent condensation forming in sphere, drill 5mm diameter hole marked DRAIN HOLE in fitter. (Vertical installation only).

POLE MOUNTING (GROUP 4)

Place drain washer (H) over spigot (I), screw spigot in fitter and tighten locking screw (E). Fit seal (K) on spigot. Feed supply cable from pole top through fitter/spigot assembly. Insert spigot in pole top and secure with screws (L) supplied. Allow sufficient cable to protrude from fitter for connections and tighten cable clamp screw (J).

POLE MOUNTING (GROUP 2) - Fig.1

Place nylon washer (B) and drain washer (A) over spigot (C), screw spigot into fitter and tighten locking screw (E)(main illustration). Fit sealing washer (F) on spigot base. Feed supply cable from pole top through fitter/spigot assembly, allow sufficient cable to protrude from fitter for connections and tighten cable clamp screw (D). Align spigot slots with holes in pole top and secure with screws (E) supplied.

ARM MOUNTING

Feed supply cable from arm through fitter, screw fitter on arm and tighten locking screw (E).

HORIZONTAL / INVERTED SPHERES - Fig.2

Drill a 6mm diameter hole at lowest point, fit T-screw (A), screw on drain plug (B) and cut off excess thread flush with plug.

ALL MOUNTINGS

Connect supply cable leads and leads from gear housing in terminal block (F). Connect earth leads to earth terminal (D).

Place gear housing on fitter, screw fixing screws (G) in 2 or 3 turns to loosely hold housing.

Fit appropriate lamp as shown on label (A).

Position sphere between gear housing and fitter. Ensure sphere is concentric on sealing ring and tighten screws (G).



Replace any cracked protective shield.

Dieses symbol bedeutet, dass defekte Schutzgläser sofort ersetzt werden müssen.

Ce symbole indique que vous devez remplacer tout verre de protection fêlé.

Este simbolo indica que hay que 'reemplazar filtros en caso de rotura o desperfectos'.

Dette symbolet indikerer at alle ødelagte (sprukne) sikkerhetglass må skiftes.

Valaisinta el saa käyttää ilman suojalasia vioitunut suojalasi on vaihdettava uuteen ennen valaisimen käyttöön ottoa.

Suitable for use indoors
Geeignet für Innenanwendung
Pour un usage interne
Adecuada para uso en interiores
Geschikt voor gebruik binnen
Lämplig för inomhusbruk



This Electrical Product
MUST be recycled.



< Millimetres >