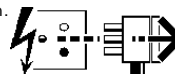
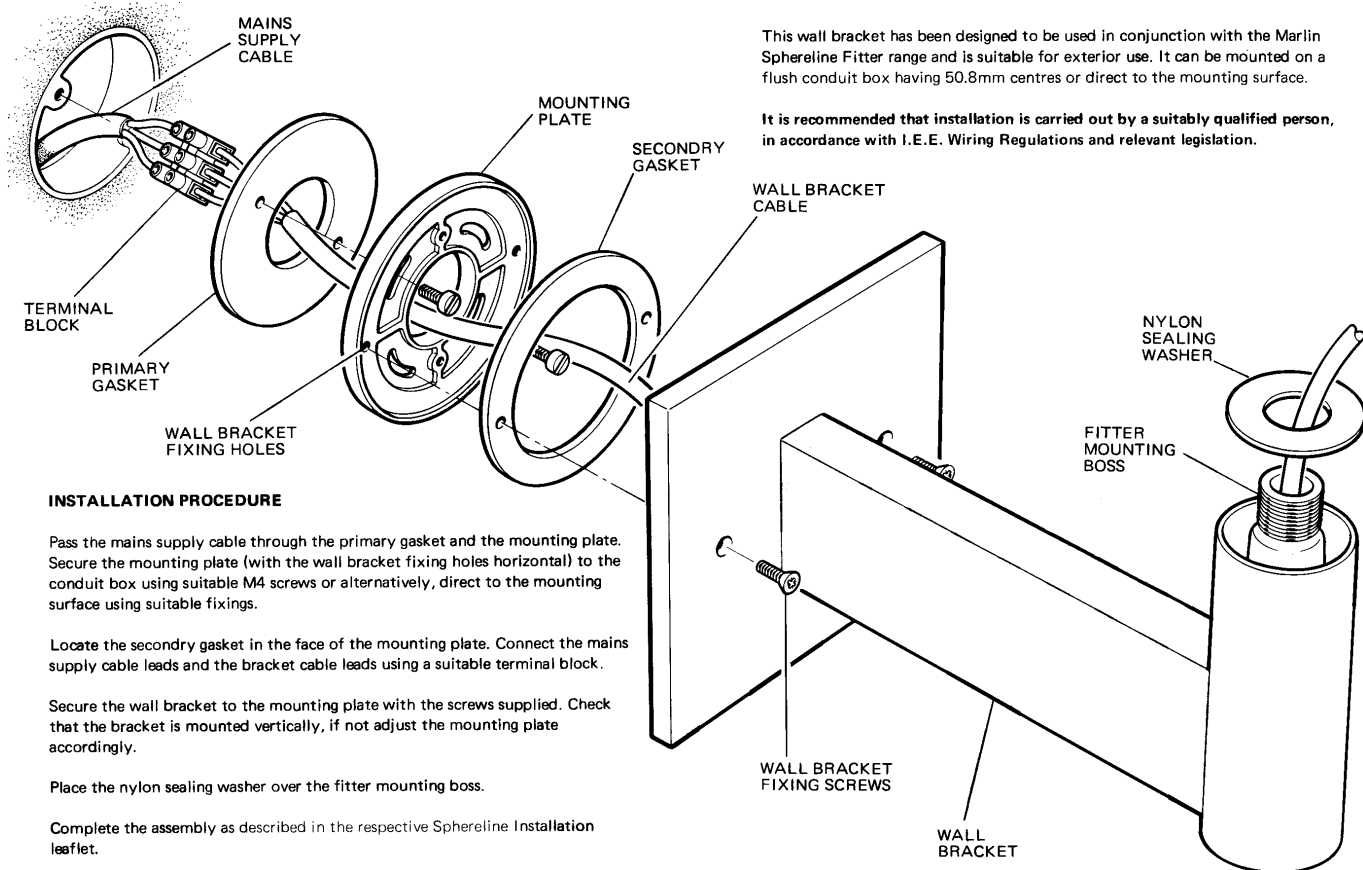


Disconnect from mains supply before replacing the fuse or the lamp.
 Vor dem Einsetzen der Sicherung oder der Lampe Spannungsfreiheit herstellen.
Débrancher le secteur avant de remplacer le fusible ou l'ampoule.
 Desconectar del suministro de la red, antes de realizar la sustitución del fusible o de la lámpara.
Voor het vervangen van lamp of zekering, eerst netspanning uitschakelen.
 Koppla bort spänningen före byte av en säkring eller en lampa.



Switch Off
 Abschalten
Débrancher
 Desconectar
Uitschakelen
 Stäng av



This wall bracket has been designed to be used in conjunction with the Marlin Sphereline Fitter range and is suitable for exterior use. It can be mounted on a flush conduit box having 50.8mm centres or direct to the mounting surface.

It is recommended that installation is carried out by a suitably qualified person, in accordance with I.E.E. Wiring Regulations and relevant legislation.

INSTALLATION PROCEDURE

Pass the mains supply cable through the primary gasket and the mounting plate. Secure the mounting plate (with the wall bracket fixing holes horizontal) to the conduit box using suitable M4 screws or alternatively, direct to the mounting surface using suitable fixings.

Locate the secondary gasket in the face of the mounting plate. Connect the mains supply cable leads and the bracket cable leads using a suitable terminal block.

Secure the wall bracket to the mounting plate with the screws supplied. Check that the bracket is mounted vertically, if not adjust the mounting plate accordingly.

Place the nylon sealing washer over the fitter mounting boss.

Complete the assembly as described in the respective Sphereline Installation leaflet.



Replace any cracked protective shield.

Dieses symbol bedeutet, dass defekte Schutzgläser sofort ersetzt werden müssen.

Ce symbol indique que vous devez remplacer tout verre de protection fêlé.

Este simbolo indica que hay que 'reemplazar filtros en caso de rotura o desperfectos'.

Dette symbolet indikerer at alle ødelagte (sprukne) sikkerhetglass må skiftes.

Valaisinta el saa käyttää ilman suojalasia vioitunut suojalasi on vaihdettava uuteen ennen valaisimen käyttöön ottoa.

Suitable for use indoors
 Geeignet für Innenanwendung
Pour un usage interne
 Adecuada para uso en interiores
Geschikt voor gebruik binnen
 Lämpig för inomhusbruk



This Electrical Product
MUST be recycled.



< Millimetres >