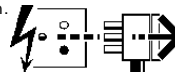


Disconnect from mains supply before replacing the fuse or the lamp.
 Vor dem Einsetzen der Sicherung oder der Lampe Spannungsfreiheit herstellen.
Débrancher le secteur avant de remplacer le fusible ou l'ampoule.
 Desconectar del suministro de la red, antes de realizar la sustitución del fusible o de la lámpara.
Voor het vervangen van lamp of zekering, eerst netspanning uitschakelen.
 Koppla bort spänningen före byte av en säkring eller en lampa.



Switch Off
 Abschalten
Débrancher
 Desconectar
Uitschakelen
 Stäng av

THE FOLLOWING INSTALLATION INSTRUCTIONS SHOULD BE READ
 IN CONJUNCTION WITH THOSE SUPPLIED WITH THE RESPECTIVE
 SPHERELINE FITTER.

INSTALLATION SHOULD BE CARRIED OUT BY A SUITABLY QUALIFIED PERSON
 IN ACCORDANCE WITH GOOD ELECTRICAL PRACTICE AND THE APPROPRIATE
 NATIONAL WIRING REGULATIONS

SWITCH OFF MAINS ELECTRICAL SUPPLY BEFORE COMMENCING INSTALLATION

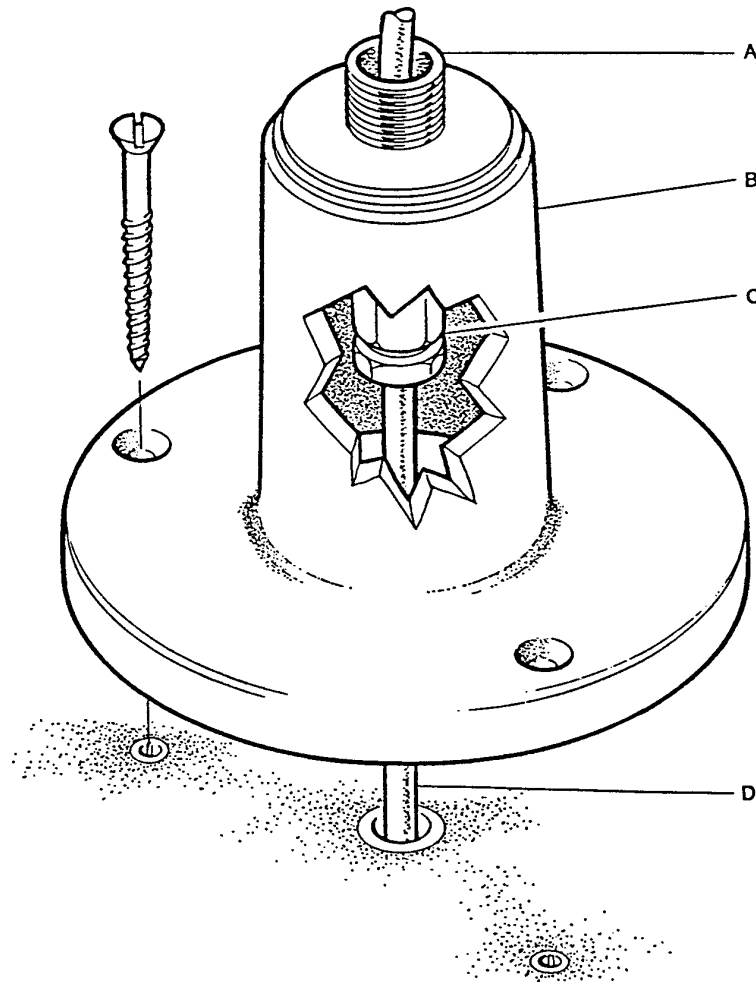
INSTALLATION PROCEDURE

PLACE DRAINAGE WASHER FROM KIT SUPPLIED OVER PLINTH SPIGOT (A)
 AND SCREW FITTER ON PLINTH SPIGOT.

PASS MAINS SUPPLY CABLE (D) THROUGH PLINTH (B) AND CABLE CLAMP (C).
 TIGHTEN CABLE GLAND LOCKNUT.

SECURE PLINTH TO MOUNTING SURFACE USING SUITABLE FIXINGS.

PROCEED WITH INSTALLATION AS DESCRIBED IN FITTER INSTALLATION
 INSTRUCTION LEAFLET.



Replace any cracked protective shield.

Dieses symbol bedeutet, dass defekte Schutzgläser sofort ersetzt werden müssen.

Ce symbol indique que vous devez remplacer tout verre de protection fêlé.

Este simbolo indica que hay que 'reemplazar filtros en caso de rotura o desperfectos'.



Dette symbolet indikerer at alle ødelagte (sprukne) sikkerhetglass må skiftes.

Valaisinta el saa käyttää ilman suojalasia vioitunut suojalasi on vaihdettava uuteen ennen valaisimen käyttöön ottoa.

Suitable for use indoors
 Geeignet für Innenanwendung
Pour un usage interne
 Adecuada para uso en interiores
Geschikt voor gebruik binnen
 Lämpig för inomhusbruk



This Electrical Product
 MUST be recycled.



< Millimetres >

Concord:marlin

Avis Way Newhaven East Sussex BN9 0ED
 T 0870 606 2030 F 01273 512 688 email: information@concordmarlin.com



© Concord Lighting Ltd.