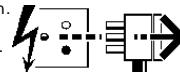
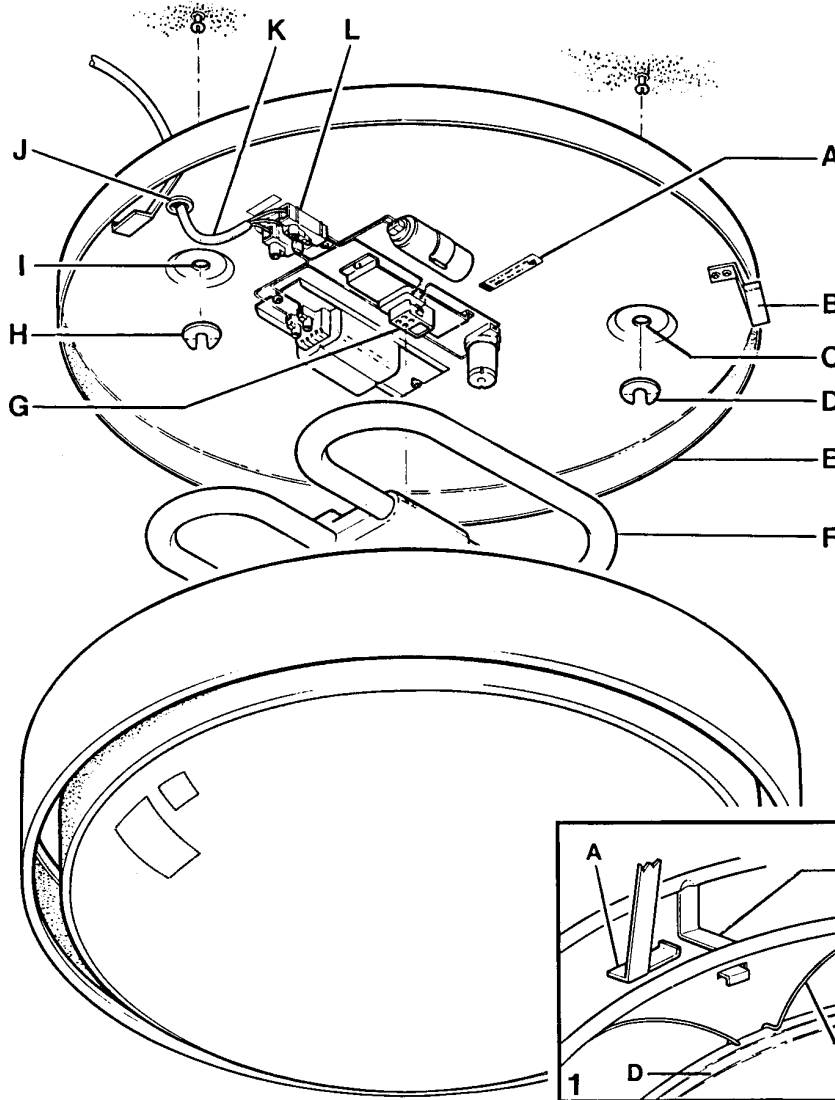


Disconnect from mains supply before replacing the fuse or the lamp.
 Vor dem Einsetzen der Sicherung oder der Lampe Spannungsfreiheit herstellen.
Débrancher le secteur avant de remplacer le fusible ou l'ampoule.
 Desconectar del suministro de la red, antes de realizar la sustitución del fusible o de la lámpara.
Voor het vervangen van lamp of zekering, eerst netspanning uitschakelen.
 Koppla bort spänningen före byte av en säkring eller en lampa.



Switch Off
 Abschalten
Débrancher
 Desconectar
Uitschakelen
 Stäng av



This luminaire is suitable for interior mounting.
 Installation should be carried out by a suitably qualified person in accordance with good electrical practice and the appropriate national wiring regulations.
 Switch off the mains electrical supply before commencing installation.

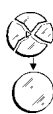
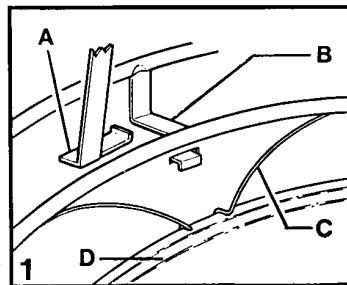
INSTALLATION PROCEDURE

Check that rating marked on label (A) conforms with mains electrical supply.
 Partially screw suitable round headed screws in mounting surface at 260mm centres.
 Pass mains supply cable (K) through grommet (J). Locate mounting holes (C)(I) over fixing screws, insert washers (D)(H) under screw heads and tighten screws.
 Connect mains supply and earth leads in terminal block (L).
 Fit appropriate lamp (F) as shown on label (A) by pushing it firmly into lampholder (G).

FITTING TRIM - Figure 1

Locate diffuser (D) in trim and secure with three clips (C) equispaced round diffuser.
 Align brackets (B) with feet (A), rotate trim clockwise ensuring feet (A) are fully engaged under brackets (B).

WARNING: THIS LUMINAIRE MUST BE EARTHED



Replace any cracked protective shield.
 Dieses symbol bedeutet, dass defekte Schutzgläser sofort ersetzt werden müssen.
Ce symbole indique que vous devez remplacer tout verre de protection fêlé.
 Este simbolo indica que hay que 'reemplazar filtros en caso de rotura o desperfectos'.
Dette symbolet indikerer at alle ødelagte (sprukne) sikkerhetglass må skiftes.
 Valaisinta ei saa käyttää ilman suojalasia vioitunut suojalasi on vaihdettava uuteen ennen valaisimen käyttöön ottoa.

Suitable for use indoors
 Geeignet für Innenanwendung
Pour un usage interne
 Adecuada para uso en interiores
Geschikt voor gebruik binnen
 Lämpig för inomhusbruk



< Millimetres >