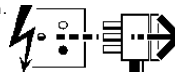


Disconnect from mains supply before replacing the fuse or the lamp.
Vor dem Einsetzen der Sicherung oder der Lampe Spannungsfreiheit herstellen.
Débrancher le secteur avant de remplacer le fusible ou l'ampoule.
Desconectar del suministro de la red, antes de realizar la sustitución del fusible o de la lámpara.
Voor het vervangen van lamp of zekering, eerst netspanning uitschakelen.
Koppla bort spänningen före byte av en säkring eller en lampa.



Switch Off
Abschalten
Débrancher
Desconectar
Uitschakelen
Stäng av

This luminaire is suitable for interior ceiling mounting to a 50.8mm conduit box or directly to the mounting surface.

Installation should be carried out by a suitably qualified person in accordance with good electrical practice and the appropriate national wiring regulations.

Switch off the mains electrical supply before commencing installation.

Installation Procedure

Gear Unit - Fig. 1.

Unscrew cover (F) and remove mounting plate (B).

Secure mounting plate (B) to conduit box using suitable M4 screws. If securing gear unit (C) direct to ceiling, discard mounting plate (B) and prepare suitable fixings in ceiling.

Pass mains supply cable (A) through gear unit (C) and secure unit to mounting plate (B) or direct to ceiling using suitable screws through fixing holes (D&L).

Connect supply cable in terminal block (E). For loop/ring and switch installation refer to Wiring Diagram.

Cut pendant cable (G) to required length and prepare cable end as shown in Fig. 1a.

Pass cable through cover (F) and cable clamp (L), allow 5mm of cable sheathing to protrude from cable clamp (L) and tighten clamp screws (M).

Connect leads in terminal blocks (&H), insert strain wire (K) through hole and secure with retaining block (J).

Fitting Lamp & Glass - Fig. 2.

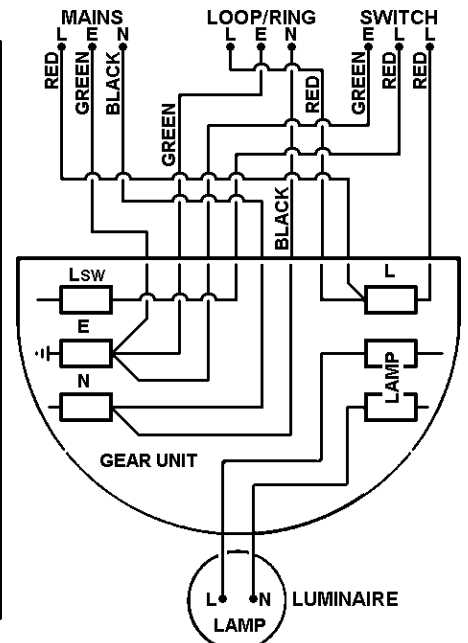
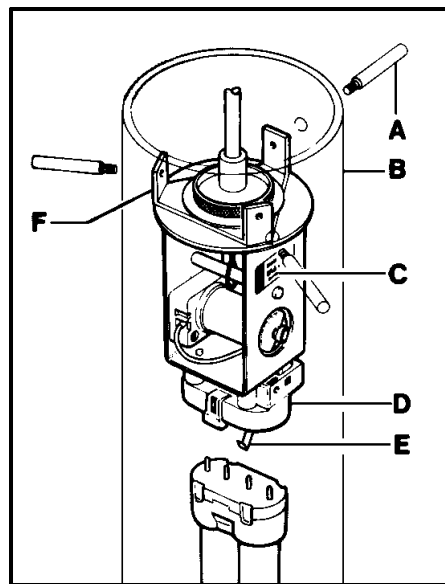
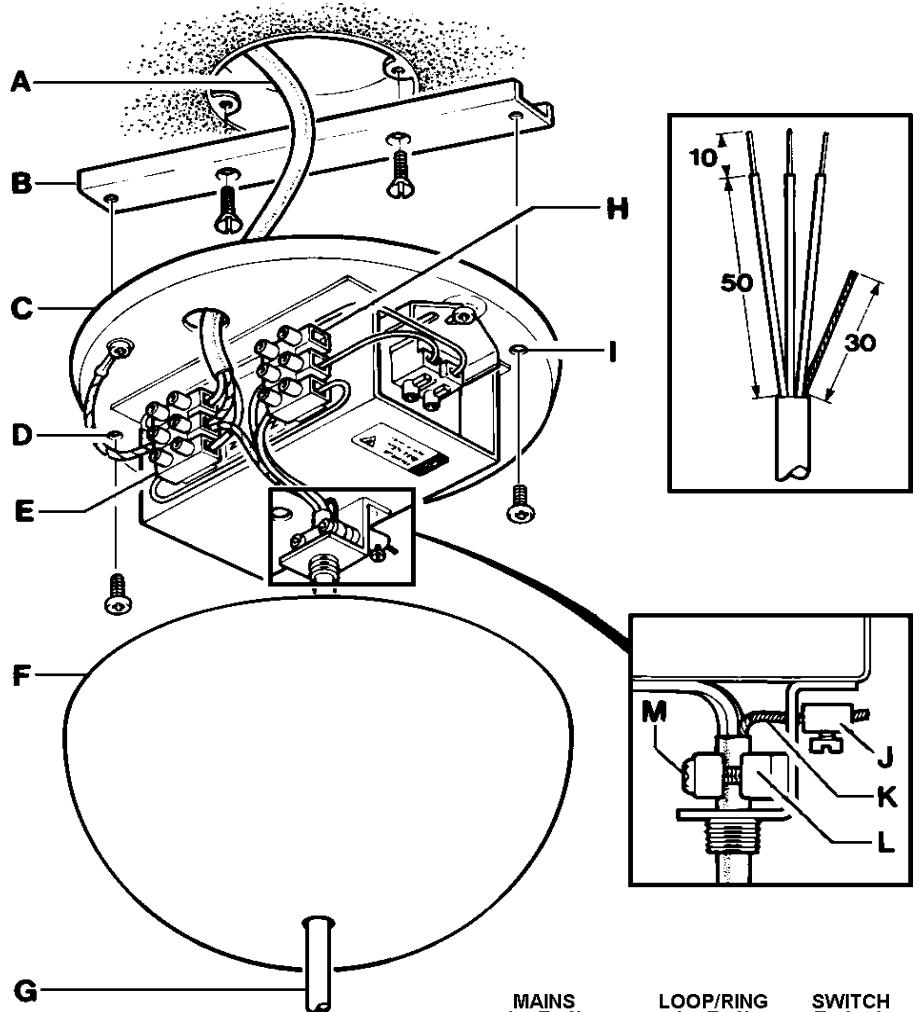
Insert appropriate lamp as indicated on label (C) into lampholder (D), ensuring that retaining clip (E) locates on lamp.

Align holes in glass tube (B) with brackets (F) and screw in retaining studs (A).

WARNING: This luminaire must be earthed.

NOTE: this luminaire should be cleaned using warm soapy water and a soft cloth. Ensure luminaire is switched off during cleaning.

Dispose of lamps in accordance with manufacturer's instructions.



Suitable for use indoors

Geeignet für Innenanwendung

Pour un usage interne

Adecuada para uso en interiores

Geschikt voor gebruik binnen

Lämplig för inomhusbruk



Replace any cracked protective shield.

Dieses symbol bedeutet, dass defekte Schutzgläser sofort ersetzt werden müssen.

Ce symbole indique que vous devez remplacer tout verre de protection fêlé.

Este símbolo indica que hay que reemplazar filtros en caso de rotura o desperfectos.

Dette symbolet indikerer at alle ødelagte (sprukne) sikkerhetglass må skiftes.

Valaisinta ei saa käyttää ilman suojalasiasa vioitunut suojalasi on vaihdettava uuteen ennen valaisimen käyttöön ottoa.

< Millimetres >



This Electrical Product
MUST be recycled.



04.08