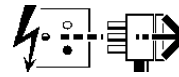


Disconnect from mains supply before replacing the fuse or the lamp.
 Vor dem Einsetzen der Sicherung oder der Lampe Spannungsfreiheit herstellen.
Débrancher le secteur avant de remplacer le fusible ou l'ampoule.
 Desconectar del suministro de la red, antes de realizar la sustitución del fusible o de la lámpara.
Voor het vervangen van lamp of zekering, eerst netspanning uitschakelen.
 Koppla bort spänningen före byte av en säkring eller en lampa.



Switch Off
 Abschalten
Débrancher
 Desconectar
 Uitschakelen
 Stäng av

This luminaire is suitable for interior wall mounting.

Installation should be carried out by a suitably qualified person in accordance with good electrical practice and the appropriate national wiring regulations.

Switch off the mains electrical supply before commencing installation.

Installation Procedure

Prepare suitable fixings in wall.

Pass mains supply cable (A) through wall bracket grommet (B), and secure bracket (D) in position using suitable screws.

NOTE: Ensure bracket is vertical.

Cover supply leads (J) with silicon sleeves (I) and connect to terminal block (H).

Connect earth lead to terminal (C).

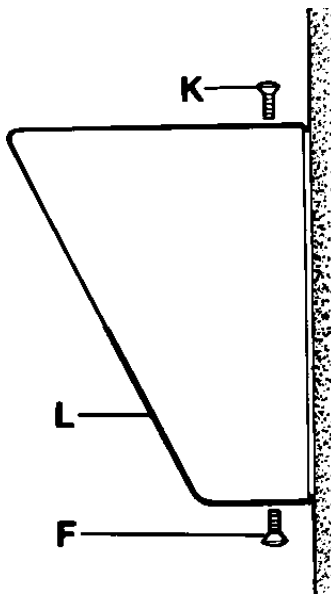
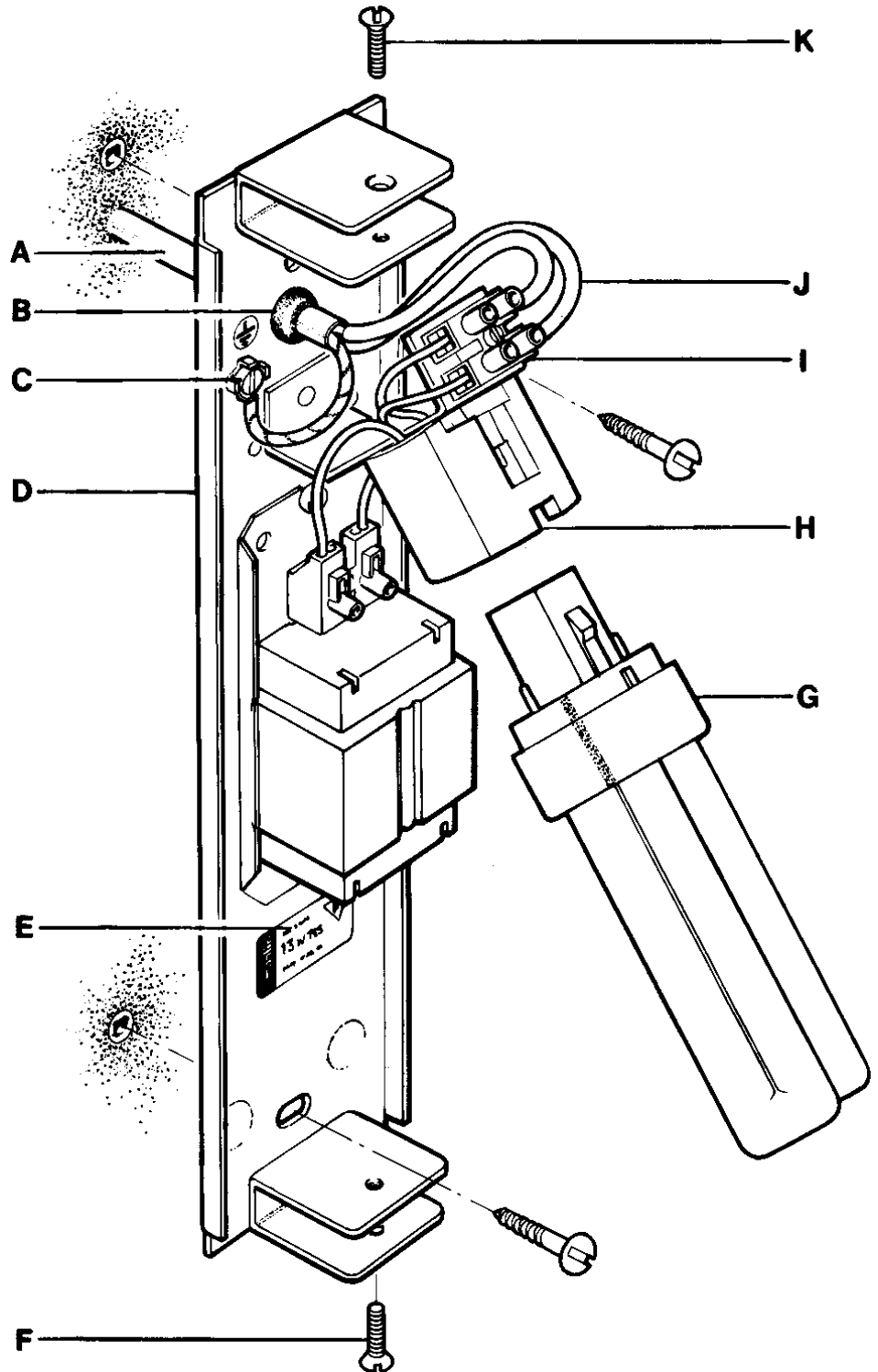
Push appropriate lamp (G) as indicated on label (E) into lampholder (H).

Remove retaining screws (F&K), locate glass (L) in slotted brackets and secure with retaining screws. Do not overtighten screws.

WARNING: This luminaire must be earthed.

NOTE: This luminaire should be cleaned using warm soapy water and a soft cloth. Ensure luminaire is switched off during cleaning.

Dispose of lamps in accordance with manufacturer's instructions.



Suitable for use indoors
 Geeignet für Innenanwendung
Pour un usage interne
 Adecuada para uso en interiores
Geschikt voor gebruik binnen
 Lämplig för inomhusbruk



Replace any cracked protective shield.

Dieses symbol bedeutet, dass defekte Schutzgläser sofort ersetzt werden müssen.

Ce symbole indique que vous devez remplacer tout verre de protection fêlé.

Este símbolo indica que hay que reemplazar filtros en caso de rotura o desperfectos.

Dette symbolet indikerer at alle ødelagte (sprukne) sikkerhetsglass må skiftes.

Valaisinta ei saa käyttää ilman suojaosia vioitunut suojaosia on vaihdettava uuteen ennen valaisimen käyttöön ottoa.

< Millimetres >



This Electrical Product **MUST** be recycled.



04.08