

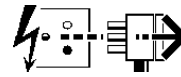
Recessed Round

9021 P18

Installation Instructions **IS500** **F** **⊕** This Product **MUST** be **EARTHED**

IS4221

Disconnect from mains supply before replacing the fuse or the lamp.
Vor dem Einsetzen der Sicherung oder der Lampe Spannungsfreiheit herstellen.
Débrancher le secteur avant de remplacer le fusible ou l'ampoule.
Desconectar del suministro de la red, antes de realizar la sustitución del fusible o de la lámpara.
Voor het vervangen van lamp of zekering, eerst netspanning uitschakelen.
Koppla bort spänningen före byte av en säkring eller en lampa.



Switch Off
Abschalten
Débrancher
Desconectar
Uitschakelen
Stäng av

This luminaire which is suitable for recessed ceiling mounting in interior situations, requires a 215mm diameter aperture, a recess depth of 100mm and 75mm clearance between outside of housing and recessed enclosure sides.

Installation should be carried out by a suitably qualified person in accordance with good electrical practice and the appropriate national wiring regulations.

Switch of mains electrical supply before commencing installation.

Installation Procedure

Check the rating on label (J) conforms with mains electrical supply.

Remove trim (D) from housing (G).

Extract mounting clips (C) from housing (G) as shown in Fig. 1.

Connect cable (A) to mains electrical supply using a suitable junction box.

Insert housing (G) in ceiling aperture and secure with mounting clips as shown in Fig. 2.
 NOTE: Use bottom slots for 5-15mm ceilings or top slots for 15-25mm ceilings.

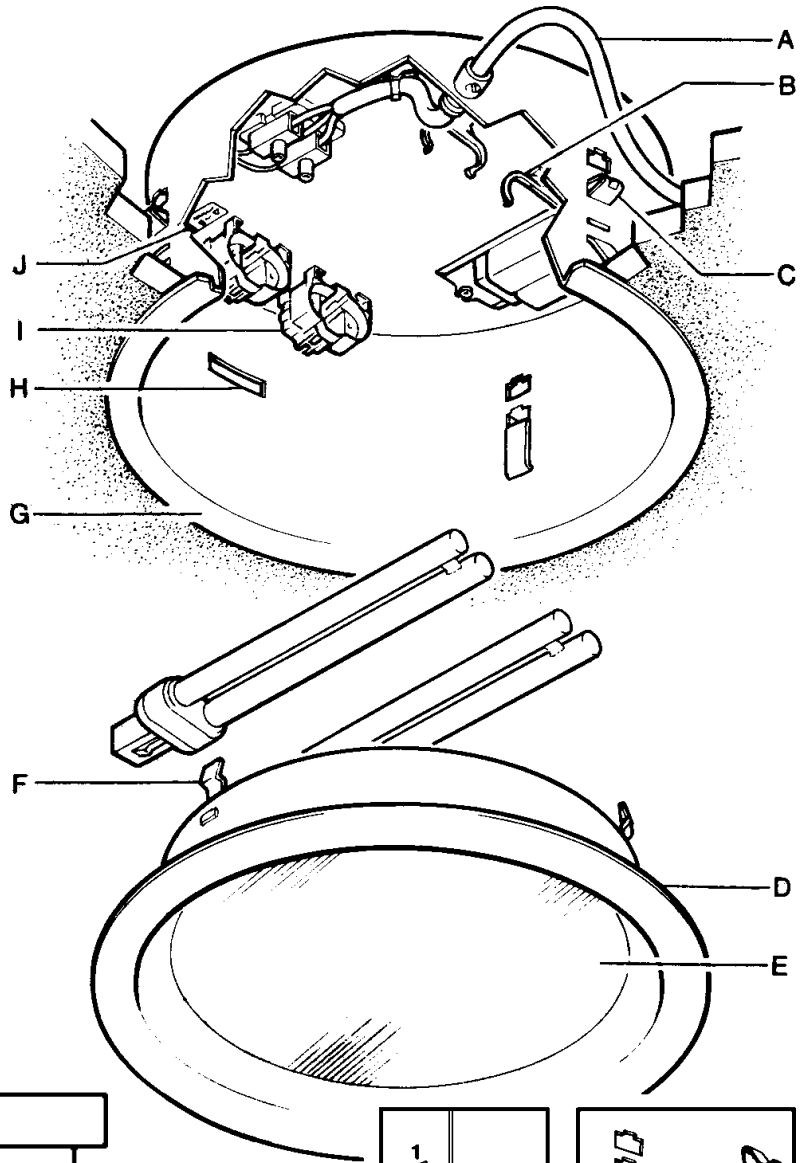
Fit appropriate lamps as indicated on label (J) by pushing them firmly into lampholders (I) and support clips (B).

Locate diffuser (E) in trim (D). Insert assembly in housing (G) ensuring clips (F) are located in housing slots (H).

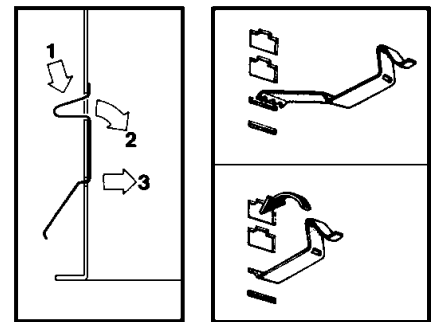
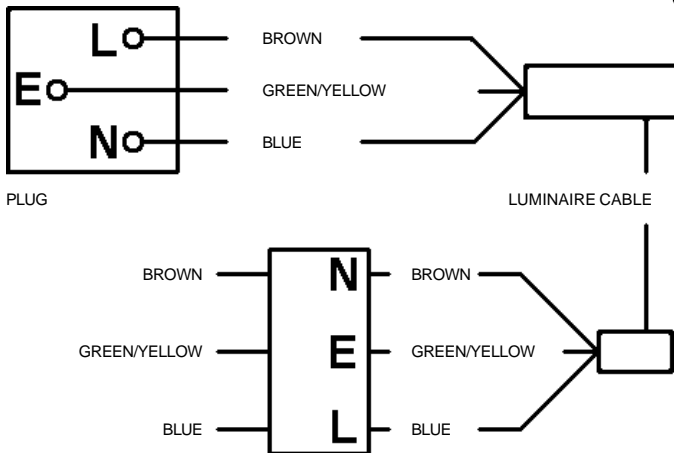
WARNING: This luminaire must be earthed.

NOTE: This luminaire should be cleaned using warm soapy water and a soft cloth. Ensure luminaire is switched off during cleaning.

Dispose of lamps in accordance with the manufacturer's instructions.



Electrical Connections



Suitable for use indoors

Geeignet für Innenanwendung
Pour un usage interne
 Adecuada para uso en interiores
Geschikt voor gebruik binnen
 Lämplig för inomhusbruk



Replace any cracked protective shield.

Dieses symbol bedeutet, dass defekte Schutzgläser sofort ersetzt werden müssen.

Ce symbole indique que vous devez remplacer tout verre de protection fêlé.

Este símbolo indica que hay que reemplazar filtros en caso de rotura o desperfectos.

Dette symbolet indikerer at alle ødelagte (sprukne) sikkerhetsglass må skiftes.

Valaisinta ei saa käyttää ilman suojalasiasa vioitunut suojalasi on vaihdettava uuteen ennen valaisimen käyttöön ottoa.

< Millimetres >



This Electrical Product **MUST** be recycled.



04.08

Concord

Avis Way Newhaven East Sussex BN9 0ED
 T 0870 606 2030 F 01273 512 688 email: information@concordmarlin.com

