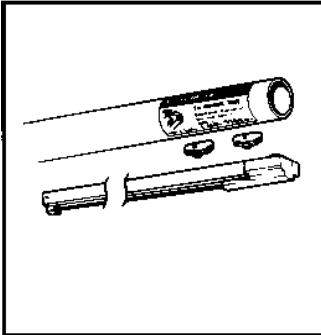
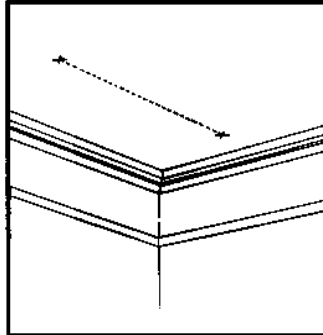


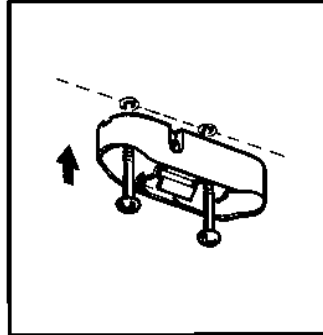
**Caution:** Before commencing, switch off electricity at the mains. If in doubt, consult a qualified electrician.



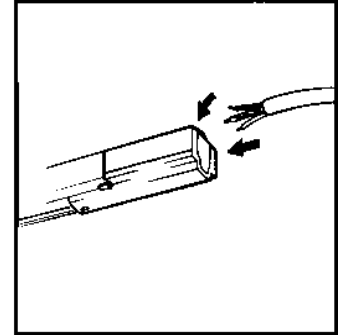
1. The starter track includes a live end, a dead end, and two mounting clips.



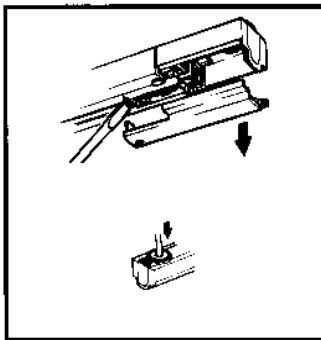
2. Determine the location for the track and mark a straight line on the ceiling or wall.



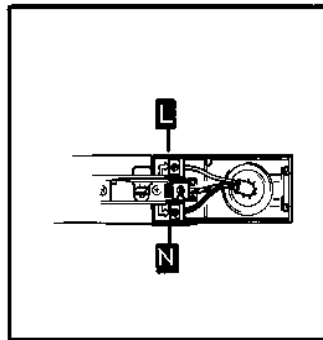
3. Screw the mounting clips to the surface along the marked line, making sure that they are located no further than 850mm apart.



4. Track must be fed from an earthed supply. The feed can come into the live end either through the top or the end.

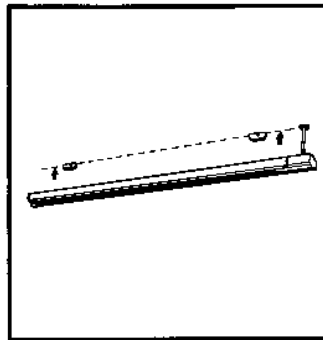


5. Remove the cover plate from the live end. Remove the flexible plug, pierce and pass the mains feed through.

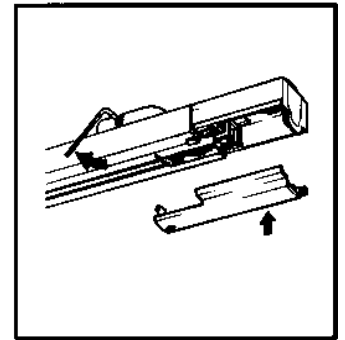


6. Wire the live end

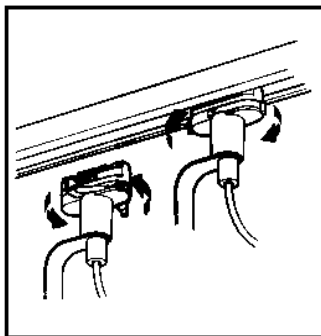
N - neutral (blue or black)  
L - live (brown or red)  
- earth (green and yellow)



7. Snap the track onto the mounting clips.

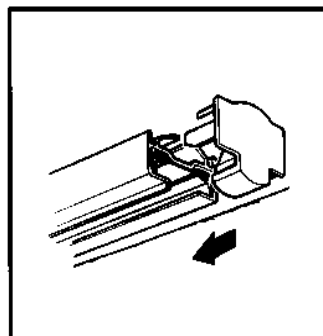


8. Tighten the mounting clip screw to expand the clip and lock it into the back of the track. Replace the live end cover.

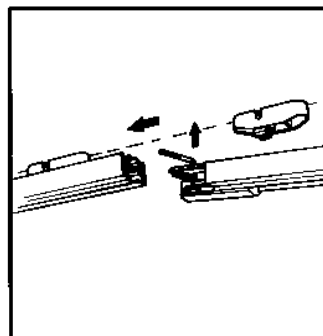


9. To install spotlights, open the locking lever on the adaptor. Insert the adaptor the correct way around into the track as shown and close the locking lever.  
Note: The track is rated at 16A but the total load may be restricted by the circuit rating e.g. 5A, 1200W (lighting circuit) or 13A, 3120W.

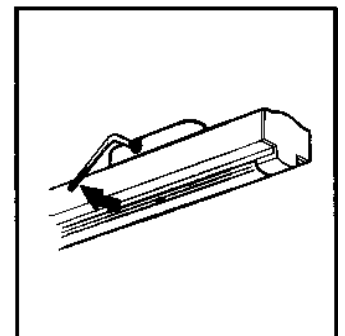
**CONNECTING A MM7709 JOINER TRACK TO A STARTER TRACK**



1. Remove the dead end from the starter track. Push the dead end onto the end of the joiner track and secure



2. Mark the position of the joiner track on the surface in line with the starter track, fix the mounting clips to the surface, and snap the joiner track on to the clips. Then slide the connector into the end of the starter track. Key must be inserted into spline before assembling to clips.



3. Tighten the locking screw in the connector and in the mounting clips.