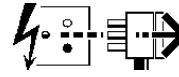


4109167 4109173 4139522 41630224164616
4010517 4010520 4010539 4010542 4037100
4037101 4062906 4062907 4062620 4062921
4109126 4109127 4109128 4109131 4109163
4109164 4109165 4109166 4109174 4109175
4143504 4144027 4147943 4147944 4147945
4147946 4147947 4147953 4164575 4164615
4164741 4164742 4164975 4165134 4165149
4165169 4165170 4165523 4165562

Disconnect from mains supply before replacing the fuse or the lamp.
Vor dem Einsetzen der Sicherung oder der Lampe Spannungsfreiheit herstellen.
Débrancher le secteur avant de remplacer le fusible ou l'ampoule.
Desconectar del suministro de la red, antes de realizar la sustitución del fusible o de la lámpara.
Voor het vervangen van lamp of zekering, eerst netspanning uitschakelen.
Koppla bort spänningen före byte av en säkring eller en lampa.



Switch Off
Abschalten
Débrancher
Desconectar
Uitschakelen
Stäng av

This luminaire is suitable for interior wall or ceiling mounting and can be installed in either Mains Mode - using a switched mains supply for 3 lamp operation or Dual Circuit Mode - using 2 switched mains supplies for central lamp and/or outerlamps operation.

Installation should be carried out by a suitably qualified person in accordance with good electrical practice and the appropriate national wiring regulations.

Switch of mains electrical supply before commencing installation.

Installation Procedure

Check that rating marked on label (H) conforms with mains electrical supply.

Partially screw suitable round headed screws (A) into mounting surface at 210mm centres.

NOTE: Gallery is marked 'TOP' for wall mounting.

Pierce grommet (E) and feed mains supply cable (B) into gallery.

Locate mounting holes (C) over fixing screws (A), insert slip washers (I) under screw heads and tighten screws.

Connect supply cable leads in appropriate terminals in terminal block (D).

MAINS MODE
Link terminals L1 & L2

DUAL CIRCUIT MODE
L1 = Live Centre Lamp
L2 = Live Outer Lamps

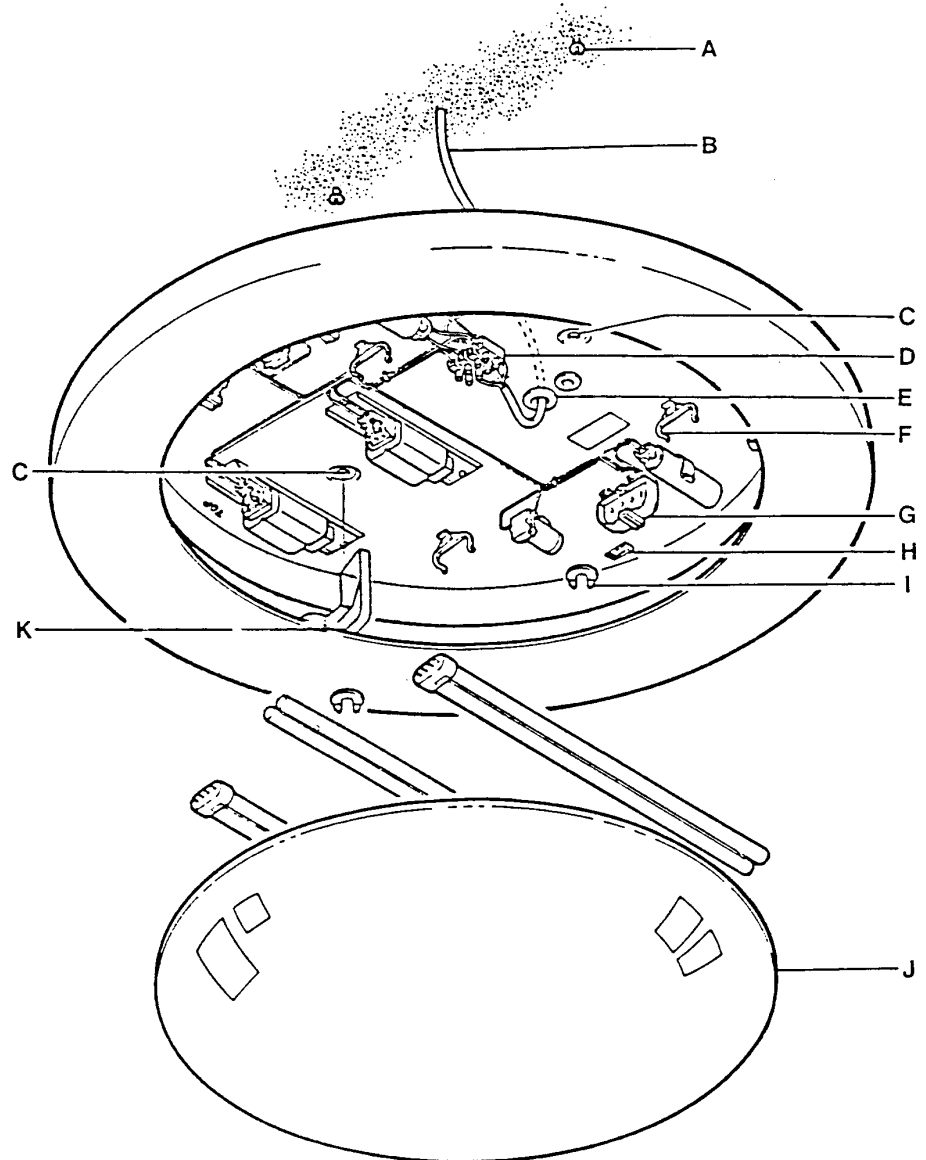
Fit appropriate lamps as indicated on label (H) by pushing them firmly into lampholders (G) and support clips (F).

Locate diffuser (J) in trim, ensuring it is held concentrically by retaining clips (K).

WARNING: This luminaire must be earthed.

NOTE: This luminaire should be cleaned using warm soapy water and a soft cloth. Ensure luminaire is switched off during cleaning.

Dispose of lamps in accordance with manufacturer's instructions.



Suitable for use indoors
Geeignet für Innenanwendung
Pour un usage interne
Adecuada para uso en interiores
Geschild voor gebruik binnen
Lämplig för inomhusbruk



Replace any cracked protective shield.

Dieses symbol bedeutet, dass defekte Schutzgläser sofort ersetzt werden müssen.

Ce symbol indique que vous devez remplacer tout verre de protection fêlé.

Este simbolo indica que hay que reemplazar filtros en caso de rotura o desperfectos.



Dette symbolet indikerer at alle ødelagte (sprukne) sikkerhetglass må skiftes.

Valaisinta ei saa käyttää ilman suojalasiasa vioitunut suojalasi on vaihdettava uuteen ennen valaisimen käyttöön ottoa.

< Millimetres >



This Electrical Product
MUST be recycled.



04.08

Concord

Avis Way Newhaven East Sussex BN9 0ED
T 0870 606 2030 F 01273 512 688 email: information@concordmarlin.com



© Concord Lighting Ltd.